

Chapter 10

Section A

Enlisted Career Progression Charts

10-1-1. General

This chapter contains career progression charts for each enlisted career management field (CMF) and approved for enlisted classification.

10-1-2. Specifications for Enlisted Career Progression Charts

This chapter contains career progression charts for each enlisted specialty. The chapter is organized by each CMF and defined as CMF XX where XX represents the enlisted CMF. For example the specifications for CMF13, Field Artillery are located in section CMF 13.

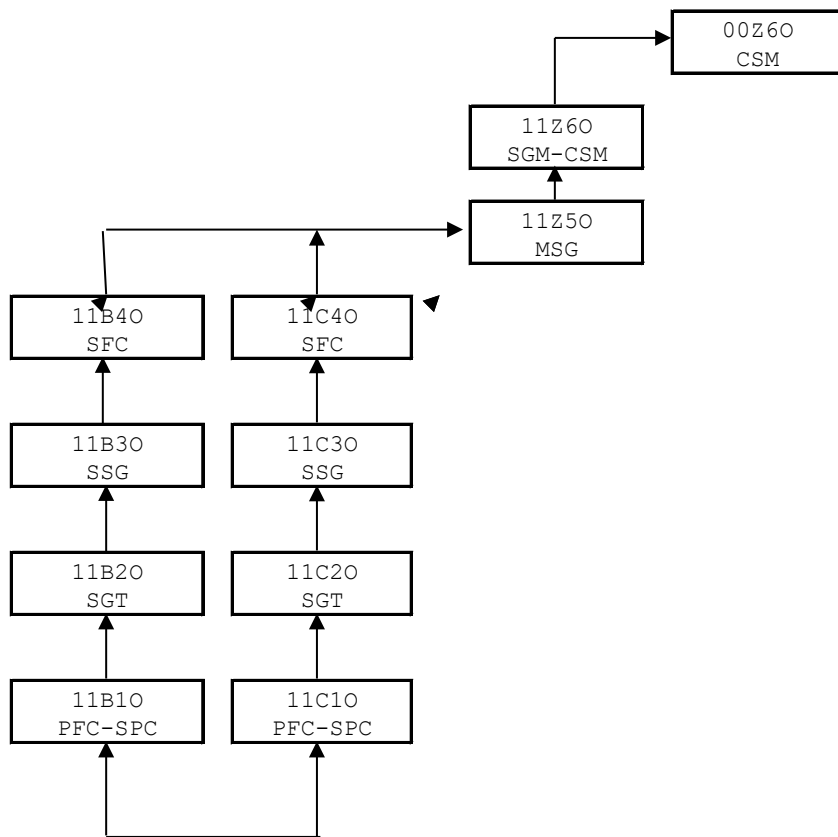
CMF DEFINITION
00 IMMATERIAL
09 PERSONNEL SPECIAL REPORTING CODES
11 INFANTRY
12 ENGINEER
13 FIELD ARTILLERY
14 AIR DEFENSE ARTILLERY
15 AVIATION
17 CYBER
18 SPECIAL FORCES
19 ARMOR
25 COMMUNICATIONS AND INFORMATION SYSTEMS OPERATION
27 PARALEGAL
29 ELECTRONIC WARFARE
31 MILITARY POLICE
35 MILITARY INTELLIGENCE
36 FINANCIAL MANAGEMENT
37 PSYCHOLOGICAL OPERATIONS
38 CIVIL AFFAIRS
42 ADJUTANT GENERAL
46 PUBLIC AFFAIRS
51 ACQUISITION, LOGISTICS & TECHNOLOGY
56 RELIGIOUS SUPPORT
68 MEDICAL
74 CHEMICAL, BIOLOGICAL RADIOLOGICAL AND NUCLEAR (CBRN)
79 RECRUITMENT AND REENLISTMENT
88 TRANSPORTATION
89 AMMUNITION
91 MECHANICAL MAINTENANCE
92 SUPPLY AND SERVICES
94 ELECTRONIC MAINTENANCE AND CALIBRATIONS

**Table 10-1-1
MOS Substitution**

CMF	Substituting MOS	Substituted MOS
11	11C	11B
12	None	
13	None	
14	None	
15	None	
17	None	
18	None	
19	None	
25	None	
25	None	
27	None	
29	None	
31	None	
35	None	
36	None	
37	None	
38	Any; Must be E-5 with 5 Yrs Service	38
42	None	
46	46V1O (Eff 202210)	46S1O
51	None	
56	None	
68	68	Any CMF 68 MOS can serve as First Sgt, Operations, Intel/plans, Tng, IG, EOA, or Det Sgt at the MSG and SFC levels
74	None	
79	None	
88	None	
89	89A and 89B	At skill level 1 only and if 89B previously performed Ammunition Stock Control & Accounting Specialist duties prior to Oct 2007
91	91F	91K

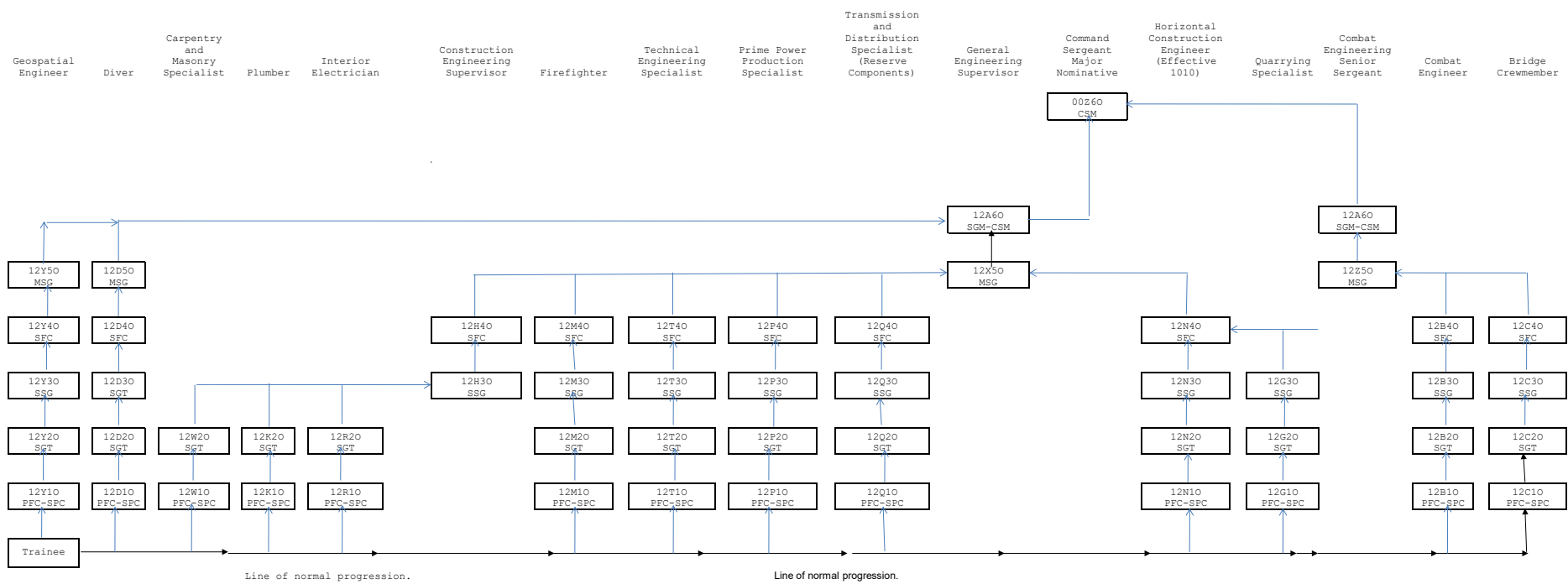
92	92A5M	92Y5M
92	92Y5M	92A5M
94	None	

	Indirect Fire	Infantry	Command
	Infantryman	Senior	Sergeant
	Infantryman	Sergeant	Major
			Nominative



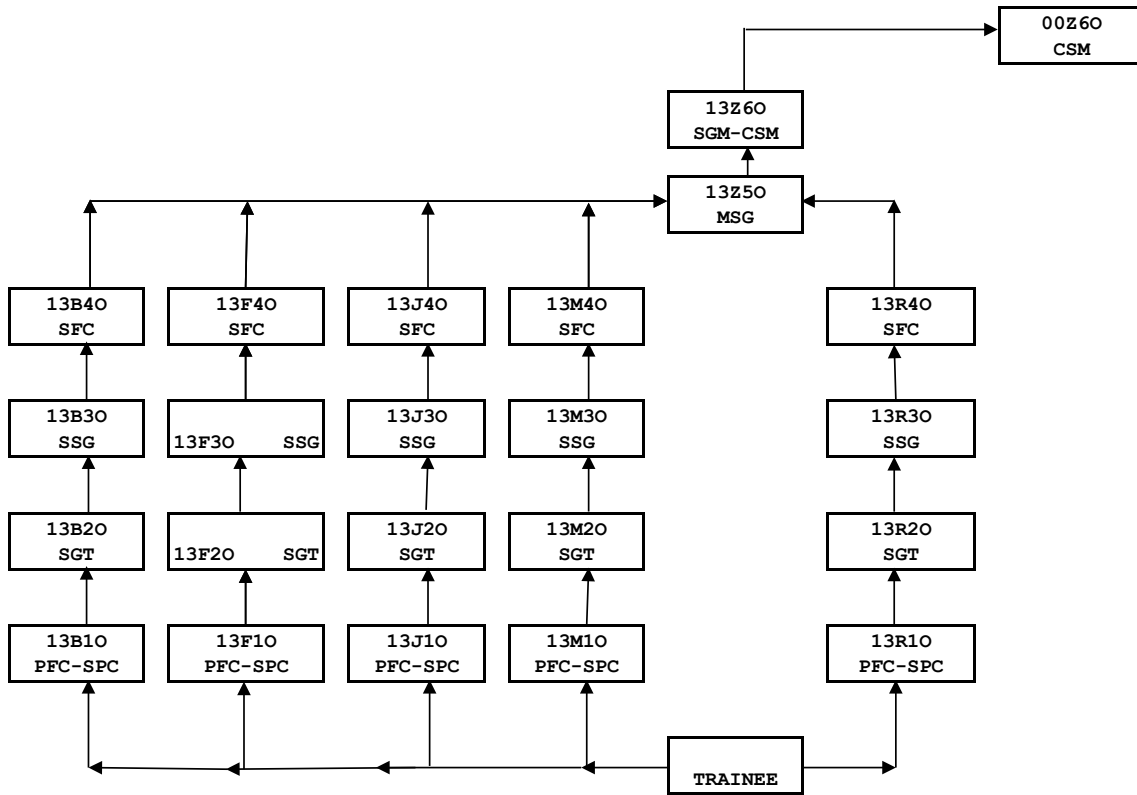
SUBSTITUTABILITY: 11C for 11B ◀

Figure 10-11. CMF 11 - Infantry career progression (Effective 1110)



0-12a CMF 12 - Engineer career progression (Effective 202310)

			Multiple		Field	Command
			Launch		Artillery	Sergeant
			Rocket	Field	Firefinder	Major
			System	Artillery	Radar	Nominative
			Crew	Senior	Operator	
			member	Sergeant		



SUBSTITUTABILITY: NONE.

—————> progression.

Figure 10-13a. CMF 13 - Field Artillery career progression (Effective 201710)

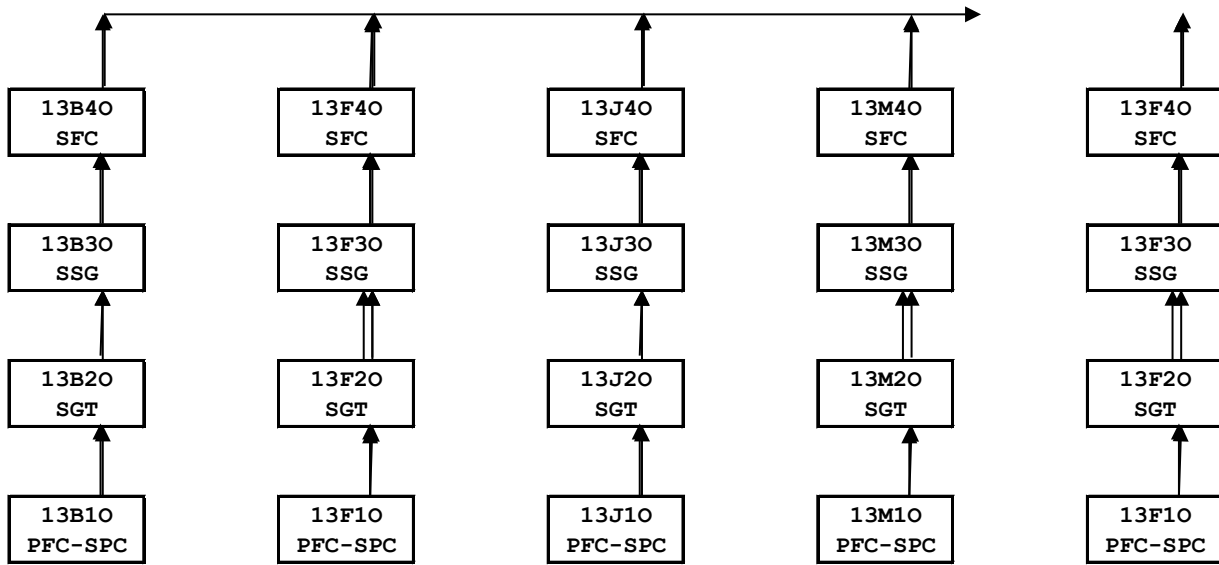
Cannon
Crew
member

Joint
Fire
Support
Speciali
st

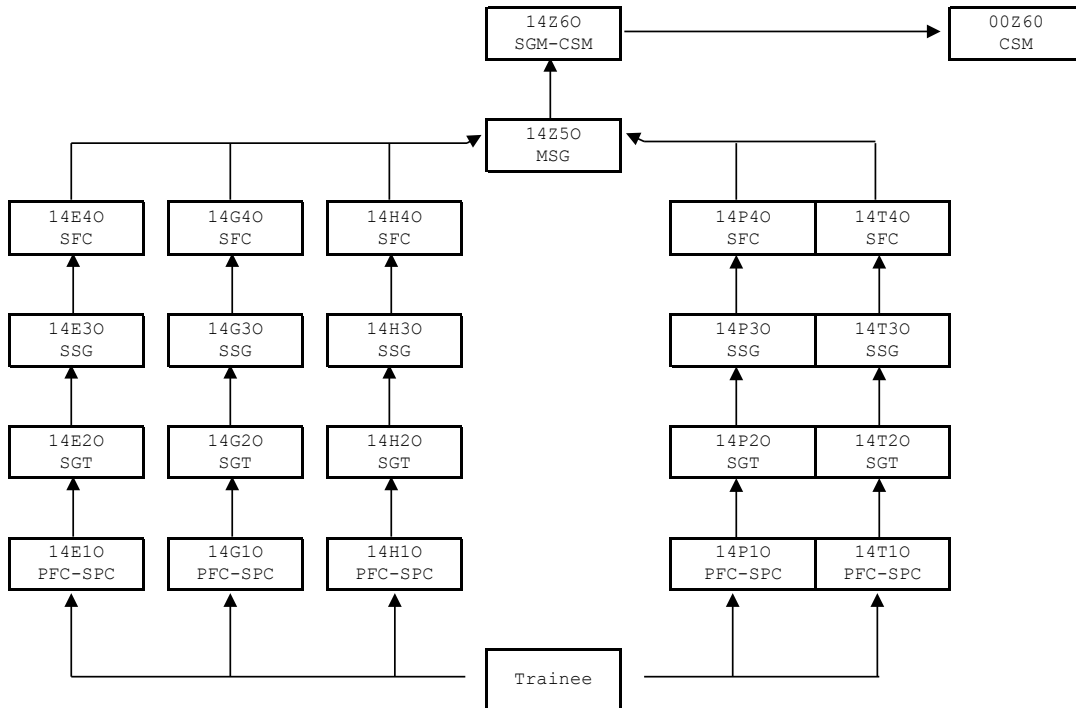
Fire
Control
Speciali
st

Multiple
Launch
Rocket
System
Crew
member

Joint
Fire
Support
Speciali
st



Patriot Fire Control Enhanced Operator/ Maintainer	Air Defense Battle Management System Operator	Air Defense Enhanced Early Warning Operator	Air Defense Artillery Senior Sergeant	Air and Missile Defense Crewmember	Patriot Launching Station Enhanced Operator/ Maintainer	Command Sergeant Major Nominative
--	---	--	--	---	--	--

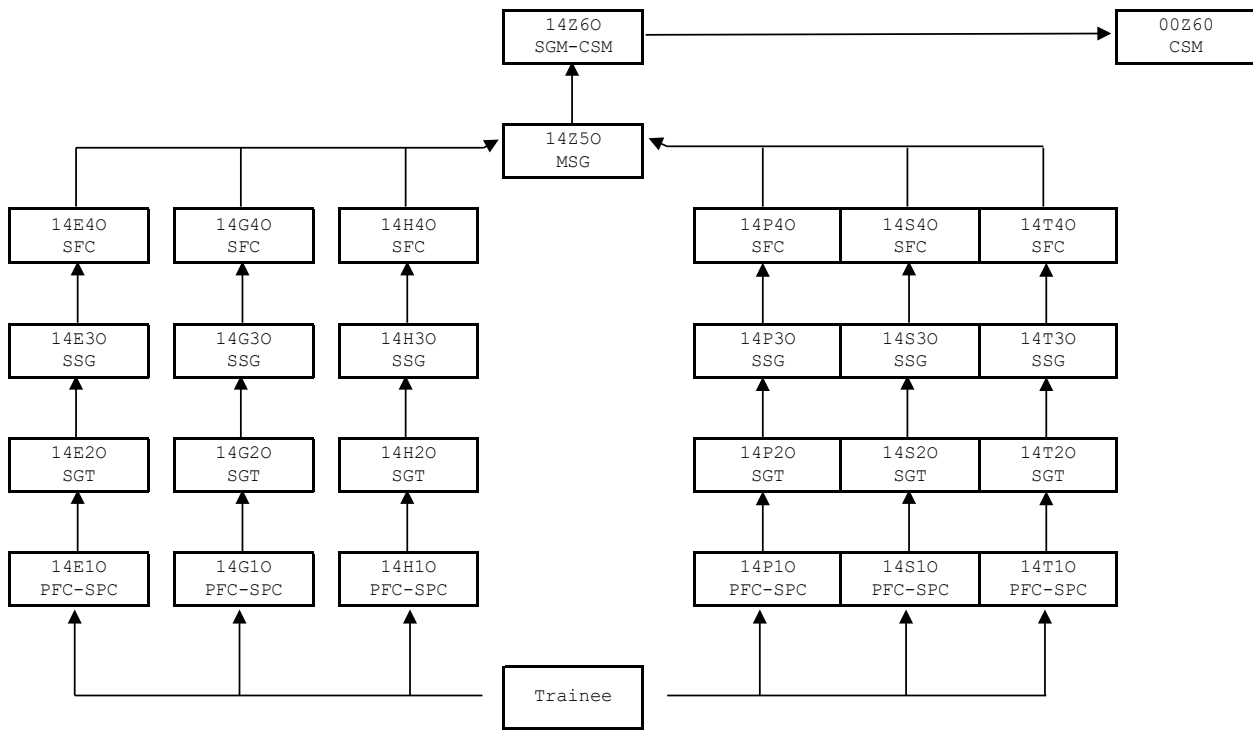


SUBSTITUTABILITY: None.

→ Line of normal progression.

Figure 10-14. CMF 14 - Air Defense Artillery career progression (Effective 202510)

Patriot Fire Control Enhanced Operator/Maintainer	Air Defense Battle Management System Operator	Air Defense Enhanced Early Warning Operator	Air Defense Artillery Senior Sergeant	Air and Missile Defense Crewmember	Avenger Crewmember	Patriot Launching Station Enhanced Operator/Maintainer	Command Sergeant Major Nominative
---	---	---	---------------------------------------	------------------------------------	--------------------	--	-----------------------------------



SUBSTITUTABILITY: None.

—————> Line of normal progression.

Figure 10-14. CMF 14 - Air Defense Artillery career progression (Effective 201610)

UH-60 Helicopter Repairer AH-64 Attack Helicopter Repairer CH-47 Helicopter Repairer Aircraft Powerplant Repairer Aircraft Powertrain Repairer Aircraft Components Repair Supervisor Aircraft Pneudraulic s Repairer Aircraft Structural Repairer Aircraft Electrician Armament/ Electrical/ Avionics Repair Supervisor AH-64 Armament/ Electrical /Avionic Systems Repairer Avionic Mechanic RQ-7 Repairer MQ-1 Repairer Aviation Senior Sergeant Command Sergeant Major Nominative MQ-1 Operator Aviation Operations Specialist Air Traffic Control (ATC) Operator RQ-7 Operator

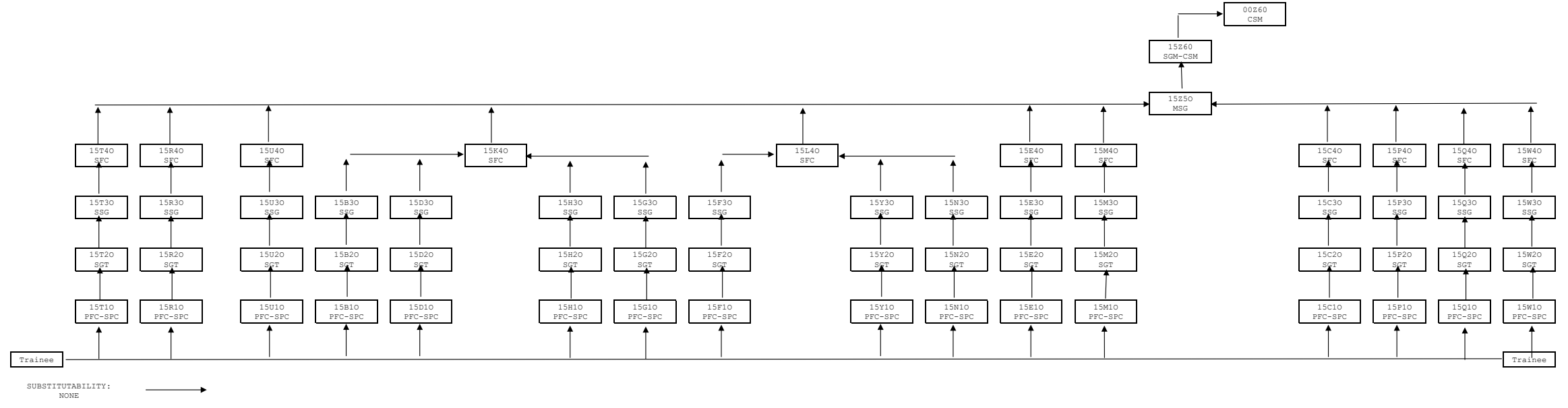
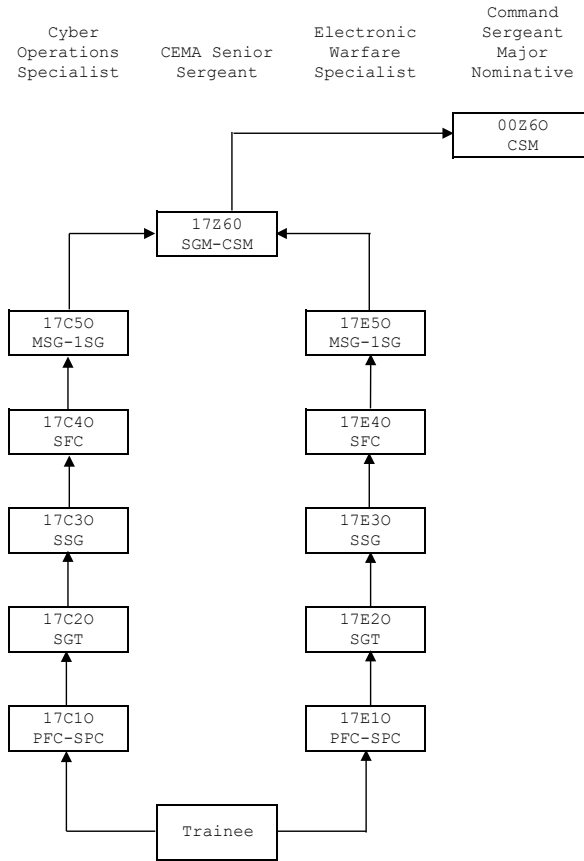


Figure 10-15 CMF 15 - Aviation career progression Effective 202110



SUBSTITUTABILITY FOR 17C: None

Figure 10-17. CMF 17 Cyber Career Progression (Effective 202210)

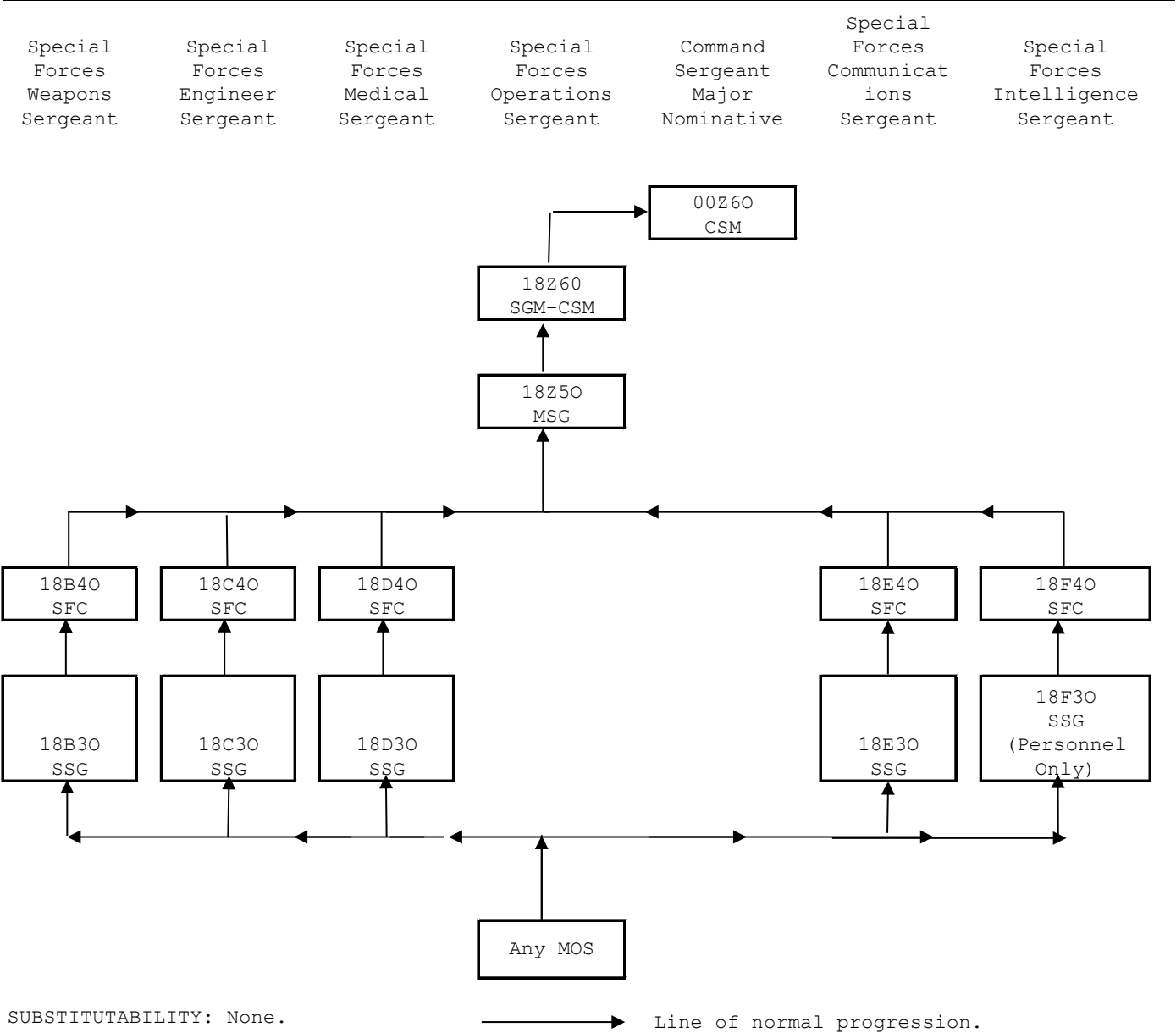
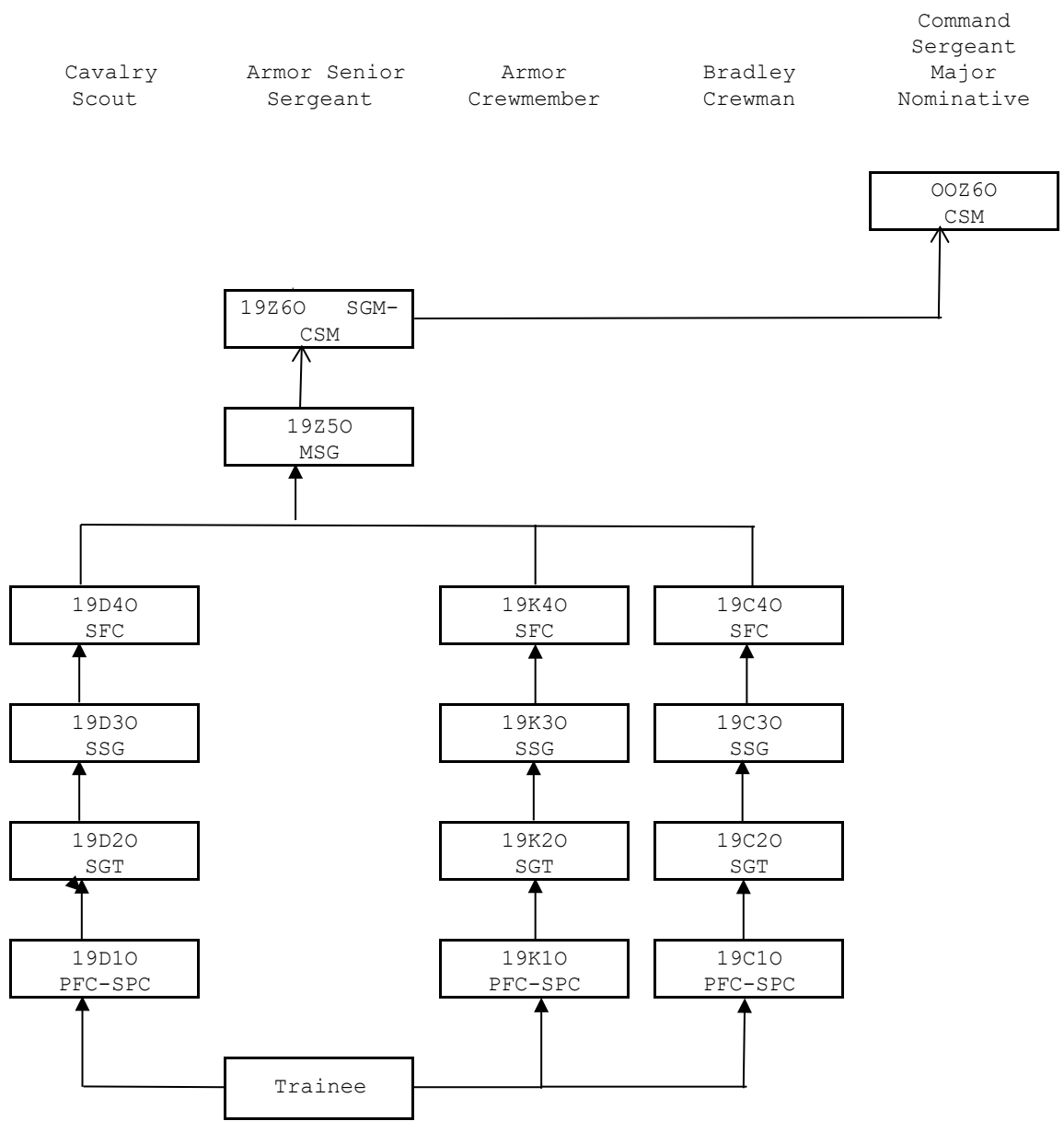


Figure 10-18. CMF 18-Special Forces career progression (Effective 202208)



SUBSTITUTABILITY: None.

—————> Line of normal progression.

Figure 10-19. CMF 19 - Armor career progression (Effective 202410)

Command Sergeant Major Nominative

Information Technology Specialist

Network Communication Systems Specialist

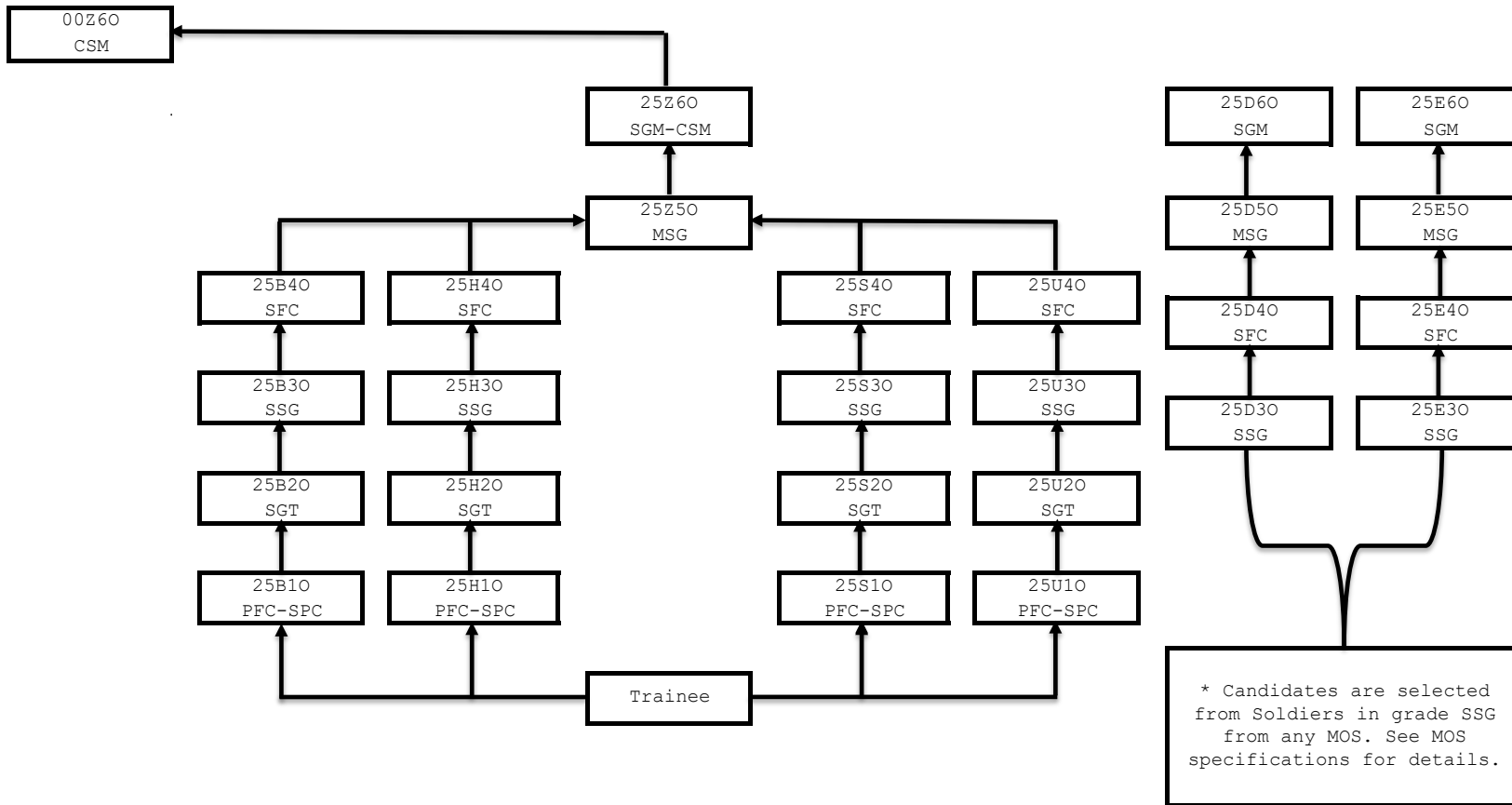
Senior Signal Sergeant

Satellite Communication Systems Specialist

Signal Operations Support Specialist

Cyber Network Defender*

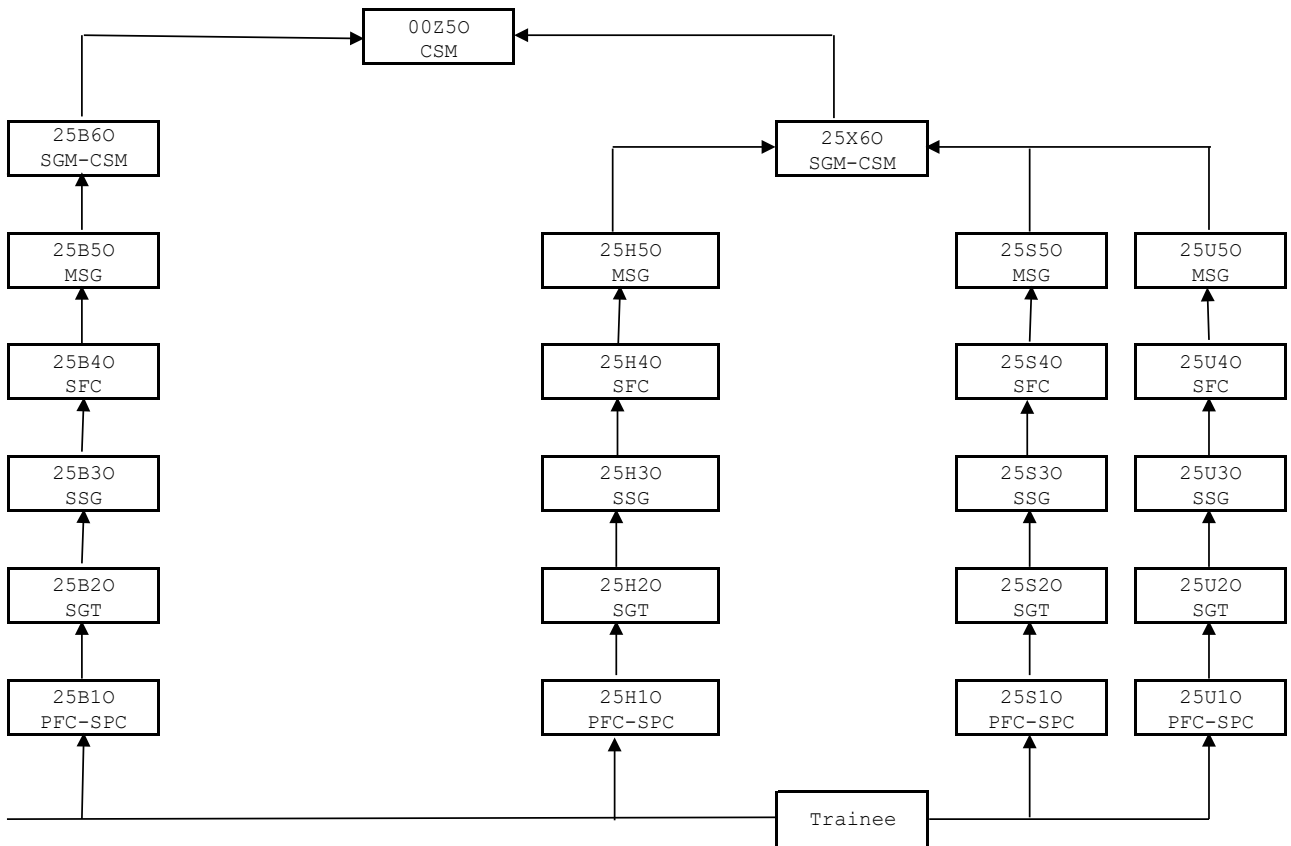
Electro-magnetic Spectrum Manager*



SUBSTITUTABILITY: None

Figure 10-25a. CMF 25--Signal career progression (Effective 202510)

Information Technology Specialist	Command Sergeant Major Nominative	Cable Systems Installer- Maintainer	Network Communication Systems Specialist	Chief Signal NCO	Satellite Communicati ons Systems Operator- Maintainer	Signal Operations Support Specialist
---	--	--	---	------------------------	--	---



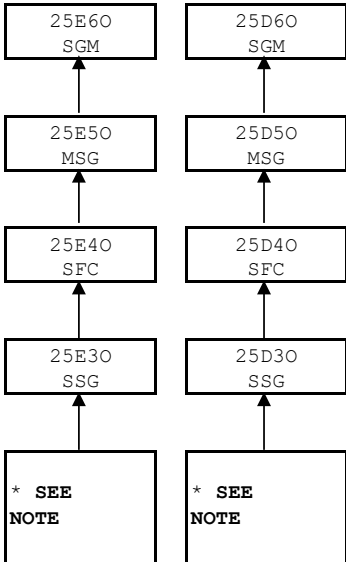
SUBSTITUTABILITY: None —————> Line of normal progression.

Effective 202210

Figure 10-25a. CMF 25--Communication and Information Systems career

Electro-
magnetic
Spectrum
Manager

Cyber
Network
Defender

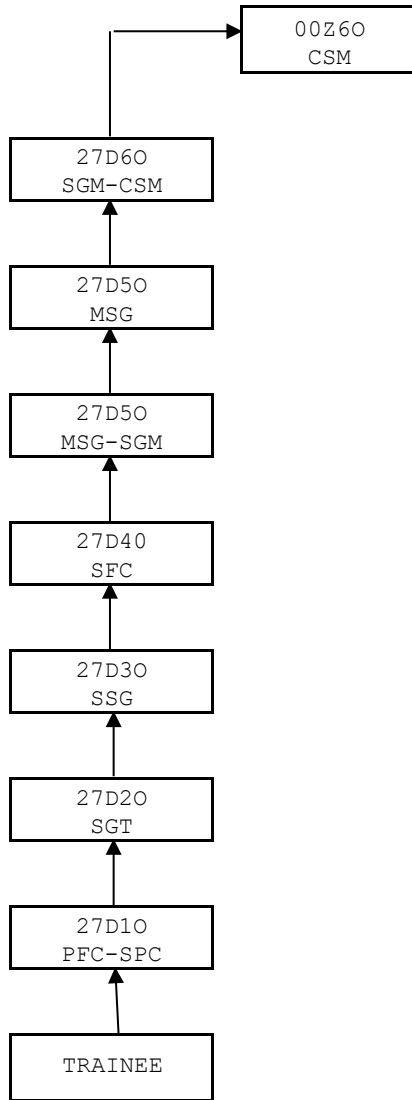


*NOTE: Candidates will be selected from Soldiers in grade SSG in any MOS which has completed their required DLC.

progression

Paralegal
Specialist

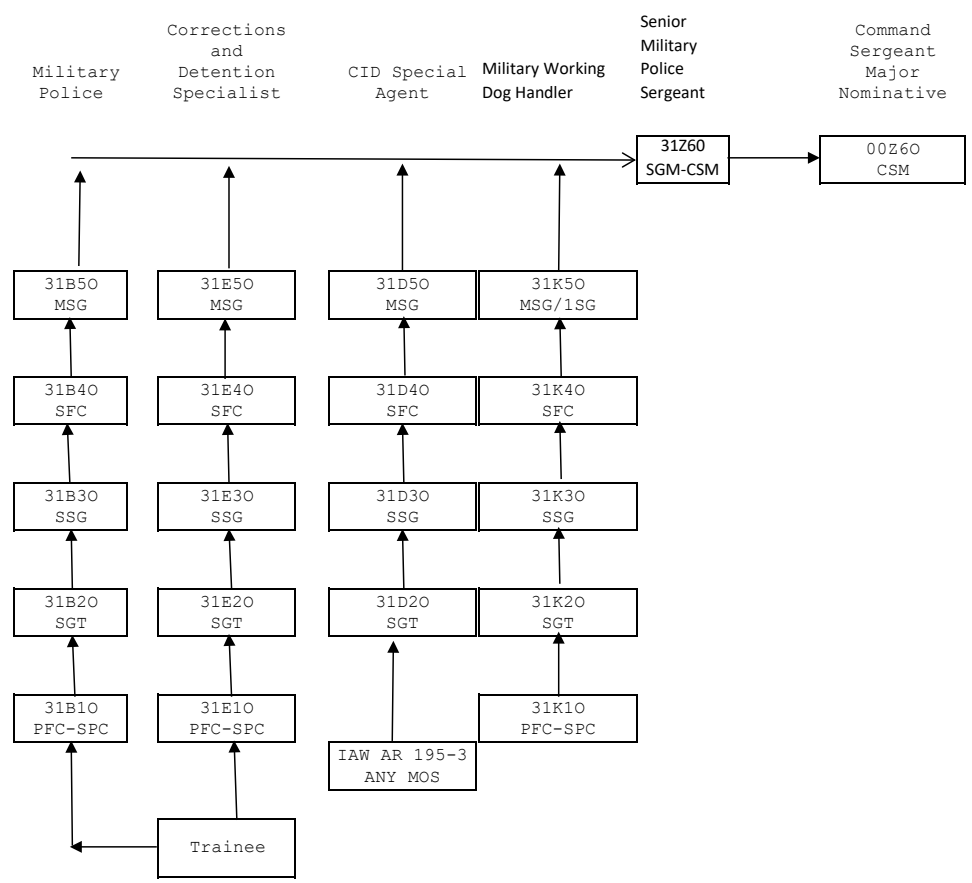
Command
Sergeant
Major
Nominative



SUBSTITUTABILITY: None.

—————> Line of normal progression.

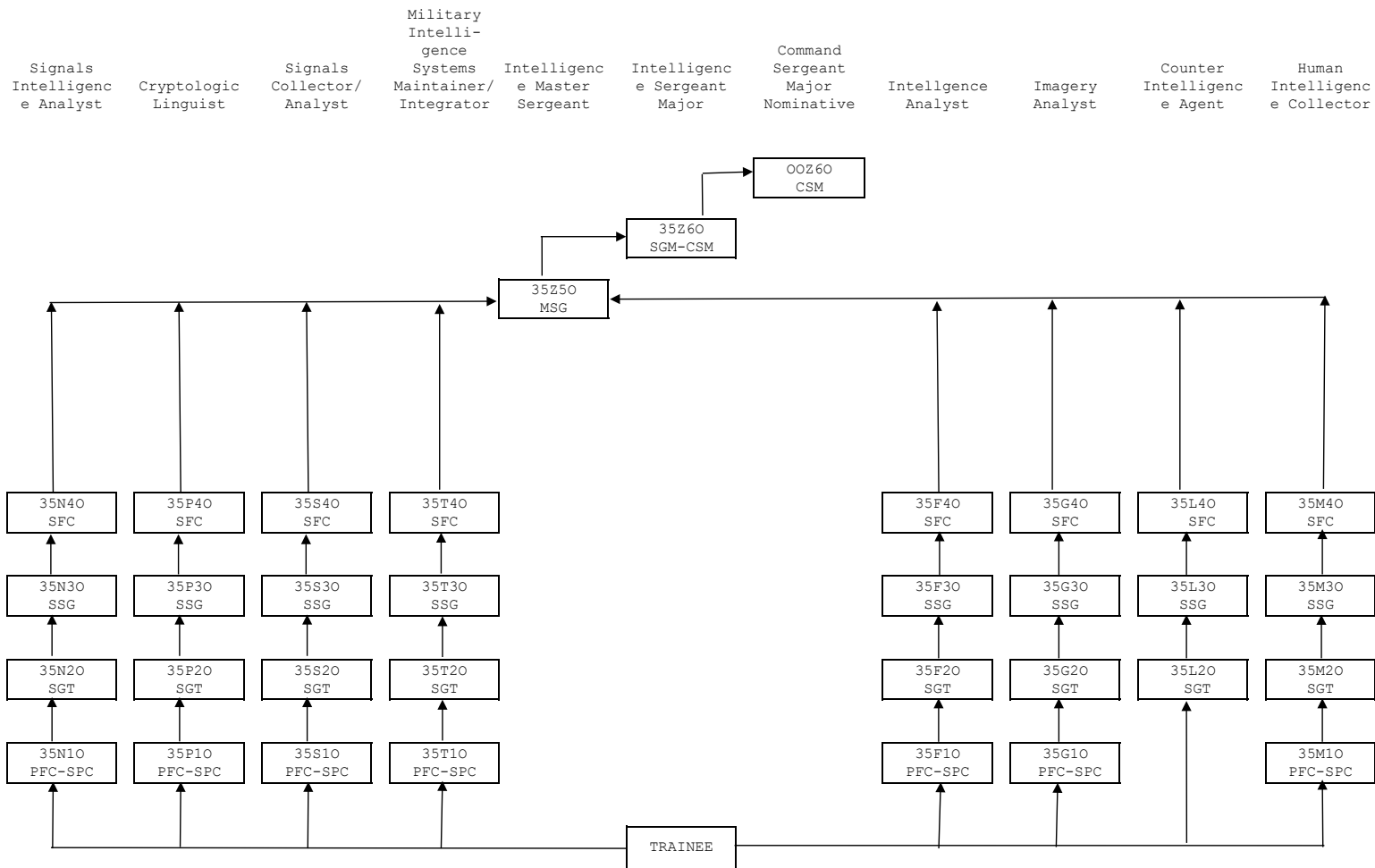
Figure 10-27. CMF 27--Paralegal career progression. (Effective 201110)



SUBSTITUTABILITY: None.

→ Line of normal progression.

Figure 10-31. CMF 31 - Military Police career progression (Effective 202010)



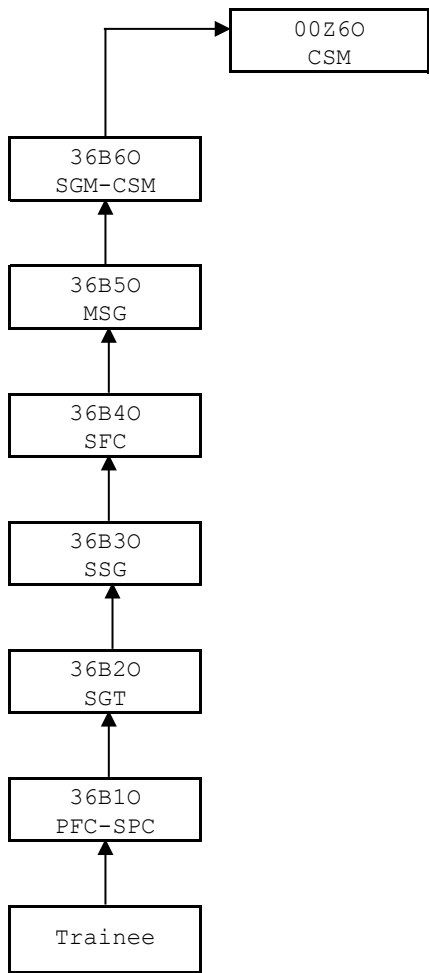
SUBSTITUTABILITY: None

Line of normal progression.

Figure 10-35. CMF 35 - Military Intelligence career progression (Effective 20201001)

Financial
Management
Technician

Command
Sergeant
Major
Nominative



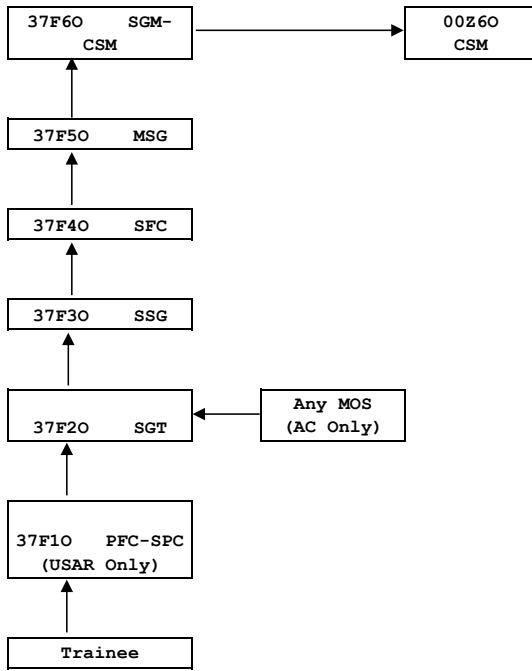
SUBSTITUTABILITY: None.

—————> Line of normal progression.

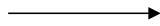
Figure 10-1. CMF 36--Financial management career progression. (Effective 201110)

Psychological
Operations
Specialist

Command
Sergeant
Major
Nominative



SUBSTITUTABILITY: None.



Line of normal progression.

Figure 10-37. CMF 37 - Psychological Operations Career progression (Effective 201910)

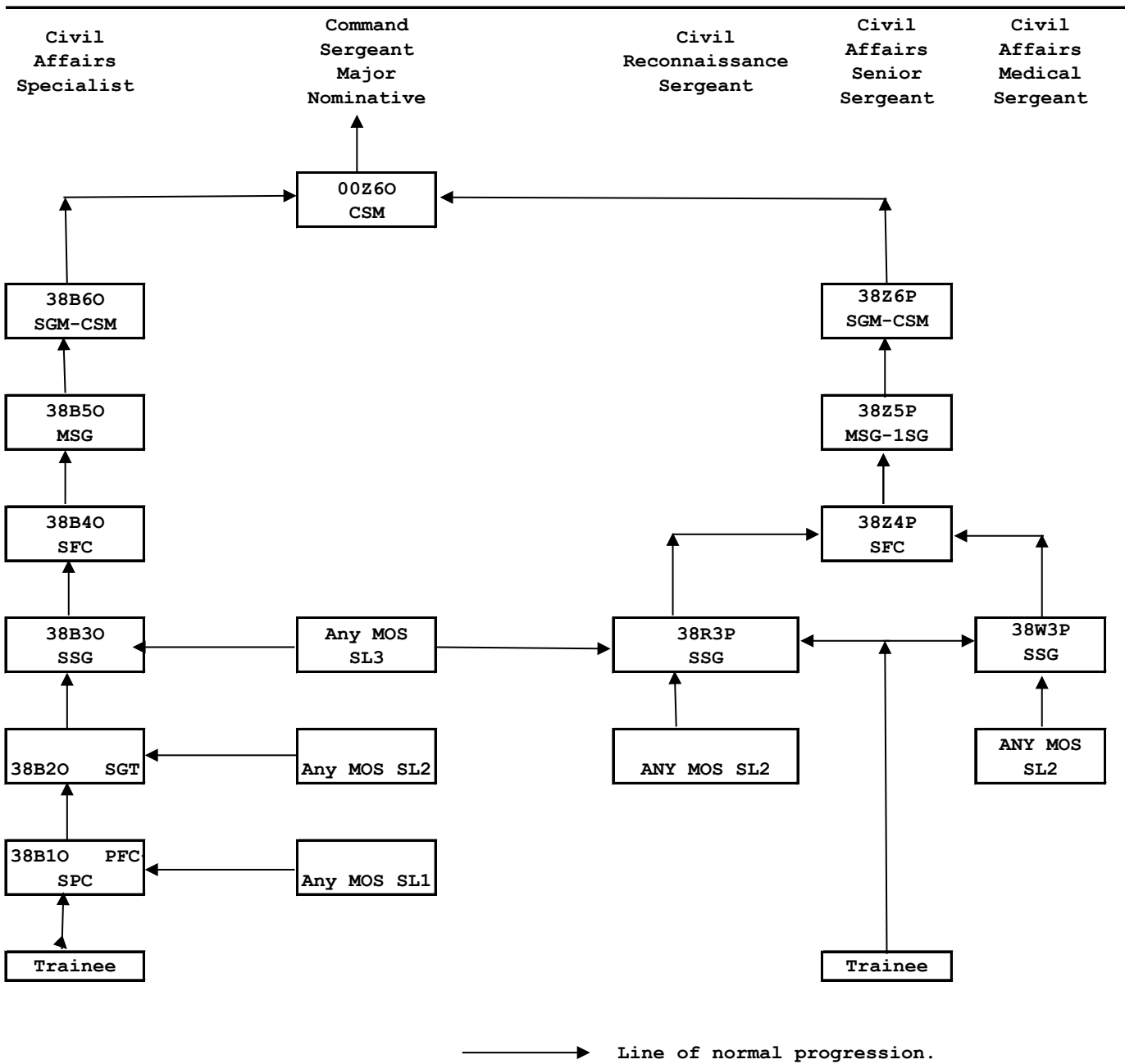
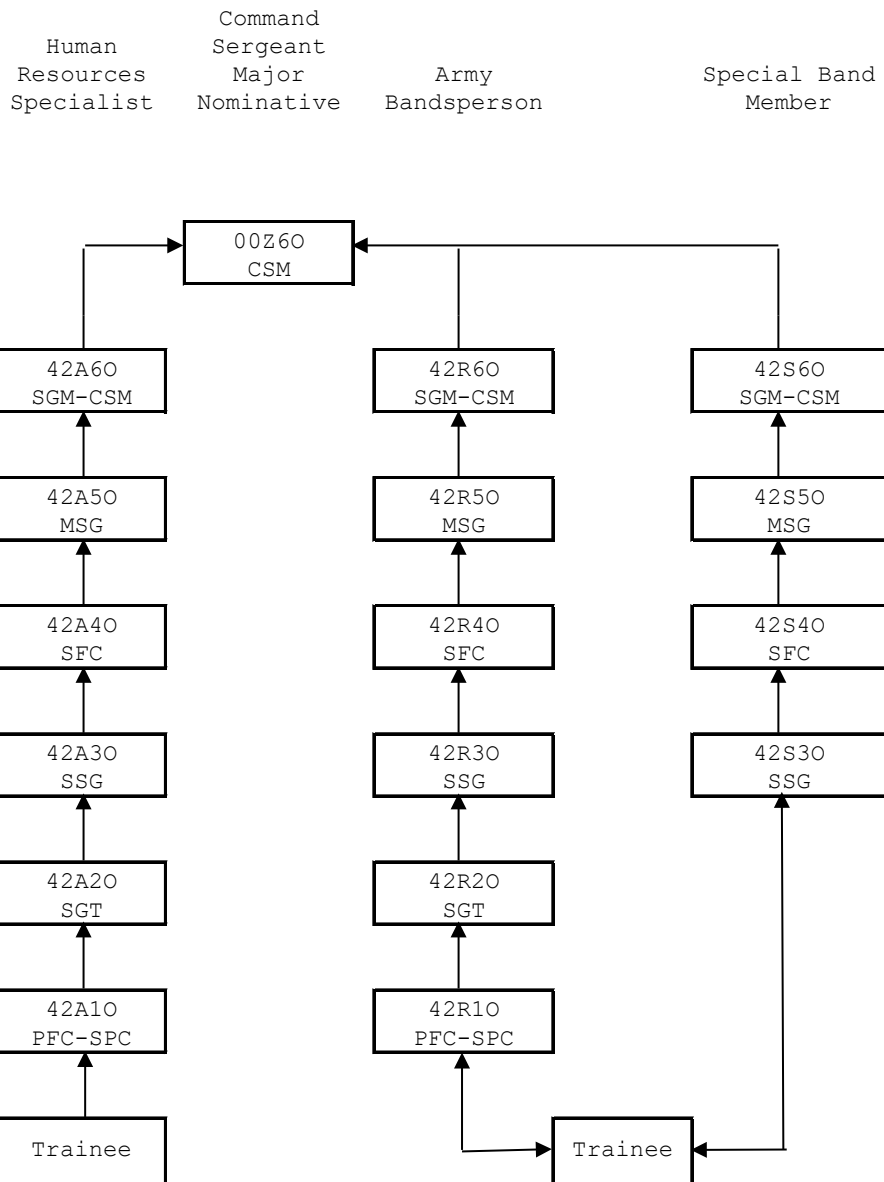


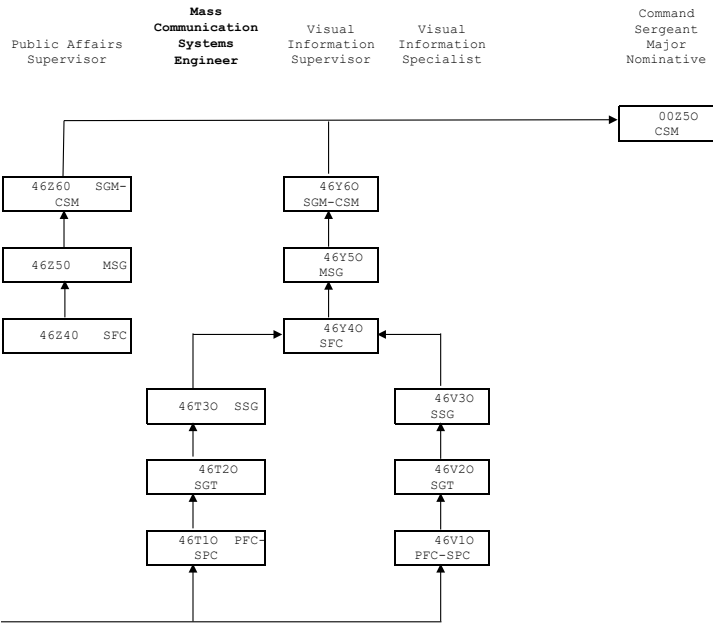
Figure 10-38. CMF 38 - Civil Affairs Specialist career progression (Effective 202310)



SUBSTITUTABILITY:
None.

—————> Line of normal progression.

Figure 10-1. CMF 42--Adjutant General career progression. (Effective 201110)



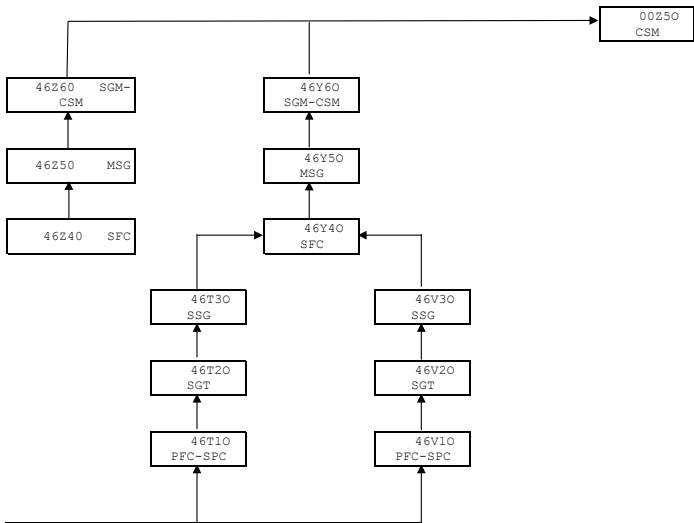
ILITY: 46V10
46S10

→ Line of normal progression.

Effective 202610

ia. CMF 46--Public Affairs and Visual Information career progression

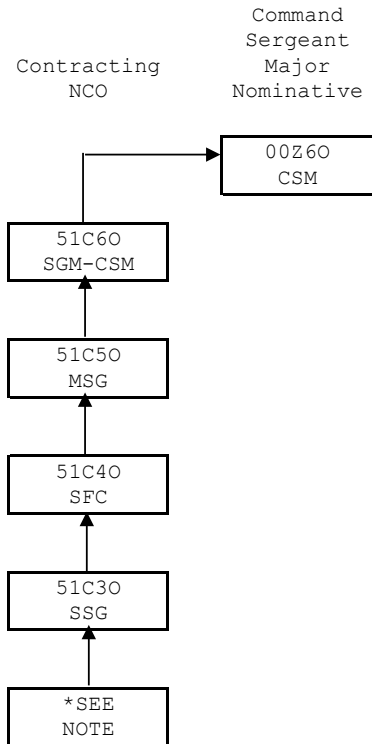
Public Affairs Supervisor Visual Information Operator-Maintainer Visual Information Supervisor Visual Information Specialist Command Sergeant Major Nominative



ILITY: 46V10 ———> Line of normal progression.
46S10

Effective 202210

. CMF 46--Public Affairs and Visual Information career progression



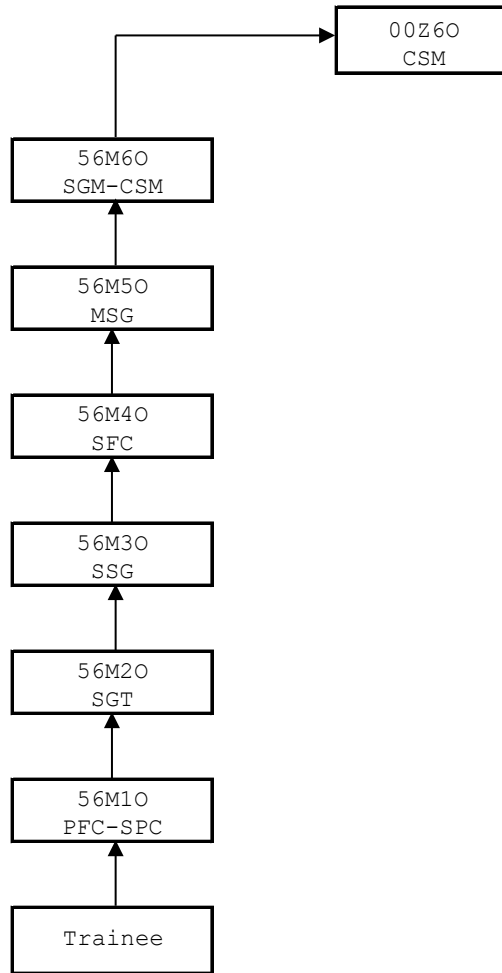
SUBSTITUTABILITY: None.

* SGT through SSG (non-promotable) may request accession into MOS 51C by (DA Form 4187). SM will be coded with ASI 4B until successful completion of MOSQ training at the Army Acquisition Center of Excellence. USAR and ARNG NCOs may alternatively complete Defense Acquisition University (DAU) Level I course in contracting and CON electives to become MOSQ. MOS 51C is not awarded until MOSQ training is successfully completed. Any enlisted MOS is considered a feeder MOS for MOS 51C.

Figure 10-51. CMF 51 - Acquisition, Logistics & Technology career progression (Effective 20180801)

Religious
Affairs
Specialist

Command
Sergeant
Major
Nominative



SUBSTITUTABILITY: None.

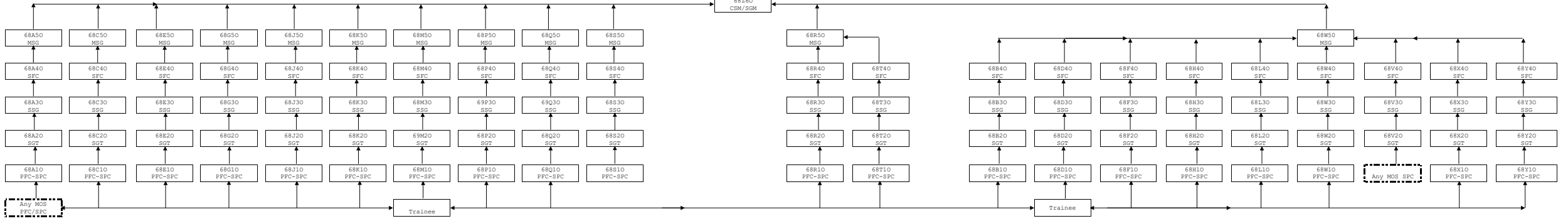
—————> Line of normal progression.

Figure 10-56. CMF 56--Religious Support career progression.

BIOMEDICAL EQUIPMENT SPECIALIST PRACTICAL NURSING SPECIALIST DENTAL SPECIALIST PATIENT ADMINISTRATION SPECIALIST MEDICAL LOGISTICS SPECIALIST MEDICAL LABORATORY SPECIALIST NUTRITION CARE SPECIALIST RADIOLOGY SPECIALIST PHARMACY SPECIALIST PREVENTIVE MEDICINE SPECIALIST COMMAND SERGEANT MAJOR (NOMINATIVE) CHIEF MEDICAL NCO VETERINARY FOOD INSPECTION SPECIALIST ANIMAL CARE SPECIALIST ORTHOPEDIC SPECIALIST OPERATING ROOM SPECIALIST PHYSICAL THERAPY SPECIALIST OPTICAL LABORATORY SPECIALIST OCCUPATIONAL THERAPY SPECIALIST COMBAT MEDIC SPECIALIST RESPIRATORY SPECIALIST BEHAVIORAL HEALTH SPECIALIST EYE SPECIALIST

00260 CSM

68240 CSM/SGM



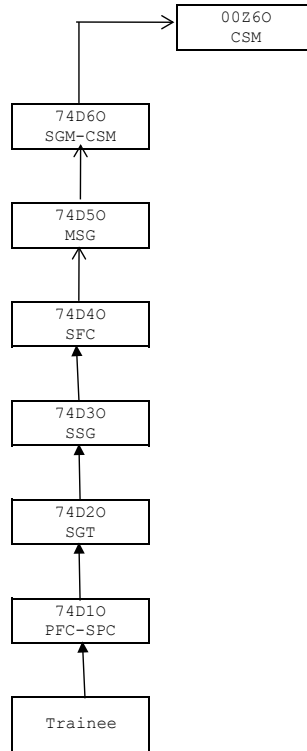
SUBSTITUTABILITY: Any CMP 68 MOS can serve in positions of First Sgt, Operations, Intel/plans, Tng, IG, EOA, or Detachment Sgt at the MSG and SFC level only.

Figure 10-68a. CMP 68 - Medical career progression (Effective 202110)

Figure 10-68b. CMP 68 - Medical career progression (Effective 202210)

Chemical
Biological
Radiological
and Nuclear
Specialist

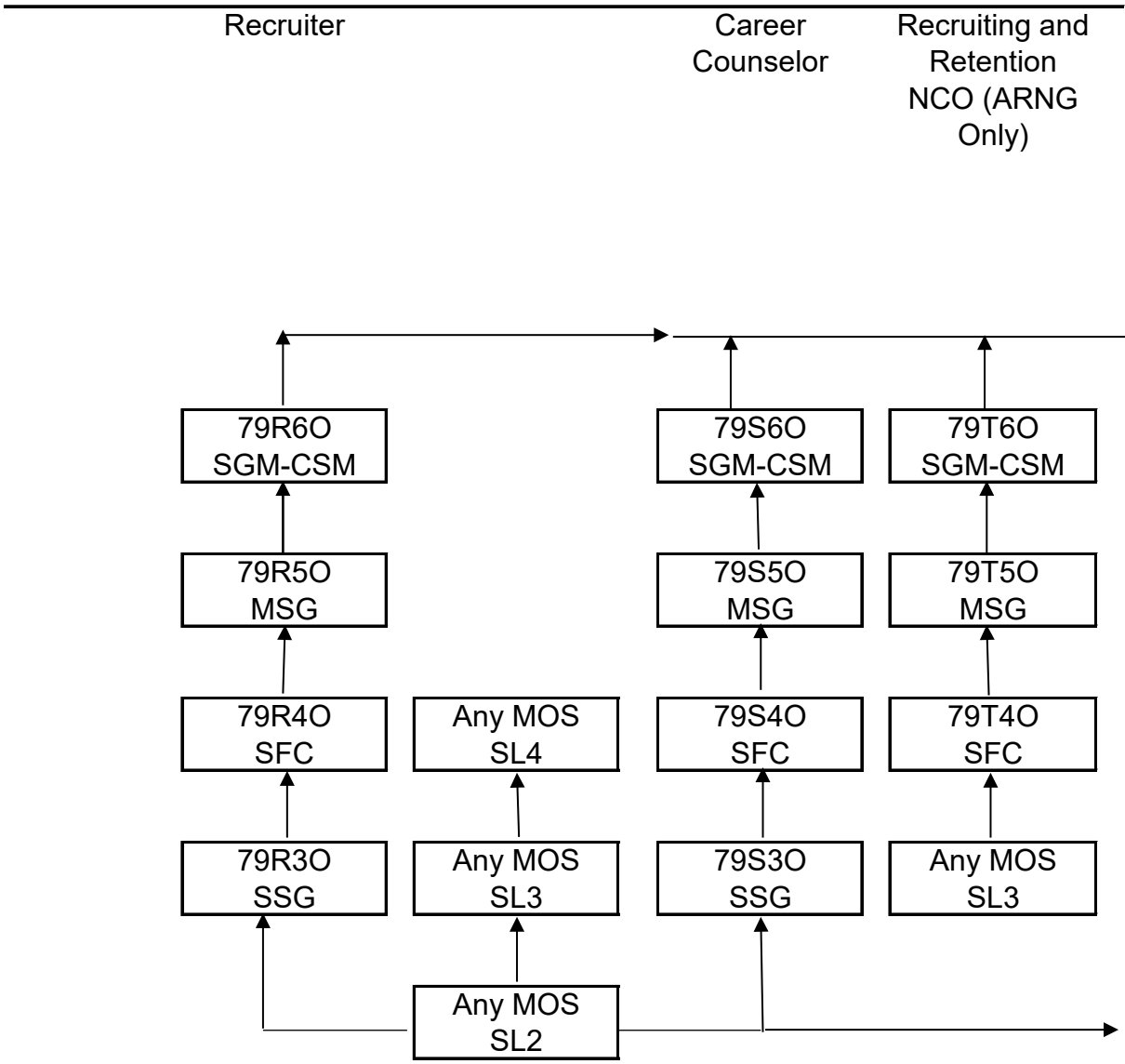
Command
Sergeant
Major
Nominative



SUBSTITUTABILITY: None.

→ Line of normal progression.

Figure 10-77. SM 74 Chemical, Biological, Radiological and Nuclear Career Progression.
(Effective 1110)

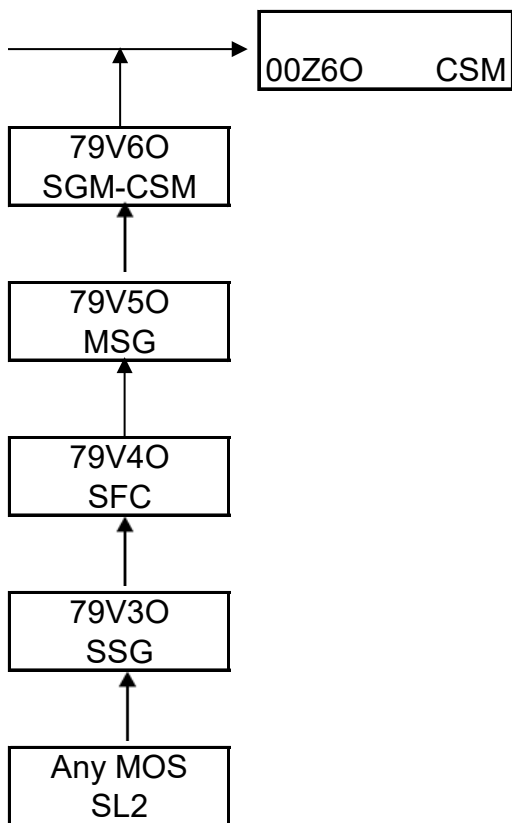


SUBSTITUTABILITY: None

Figure 10-79. CMF 79 - Recruiting and Retention Career Progression

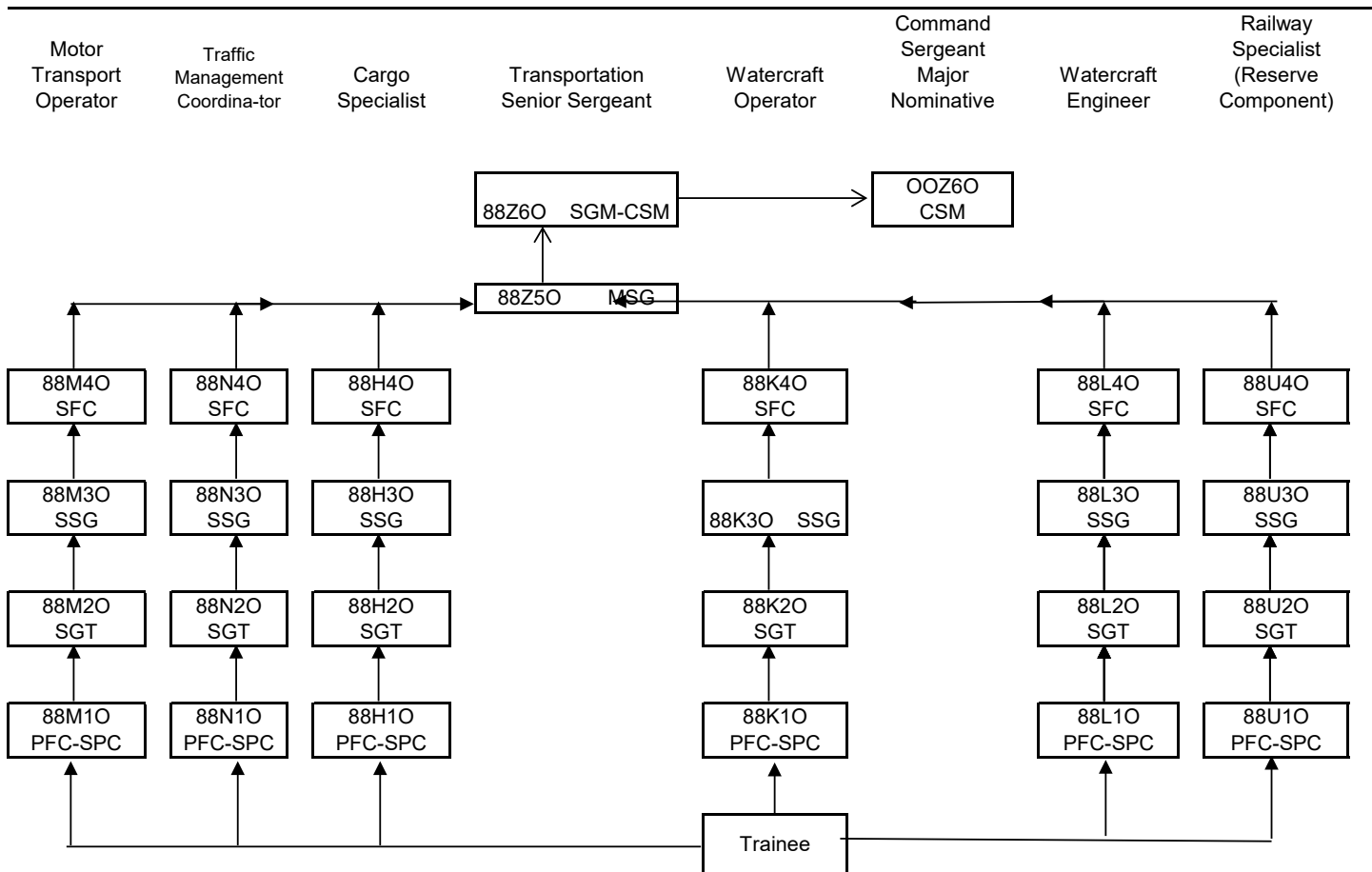
Army Reserve
Career
Counselor
(Army
Reserve)

COMMAND
SERGEANT
MAJOR
(NOMINATIVE)



➔ Line of normal progression.

on (Effective 202309)

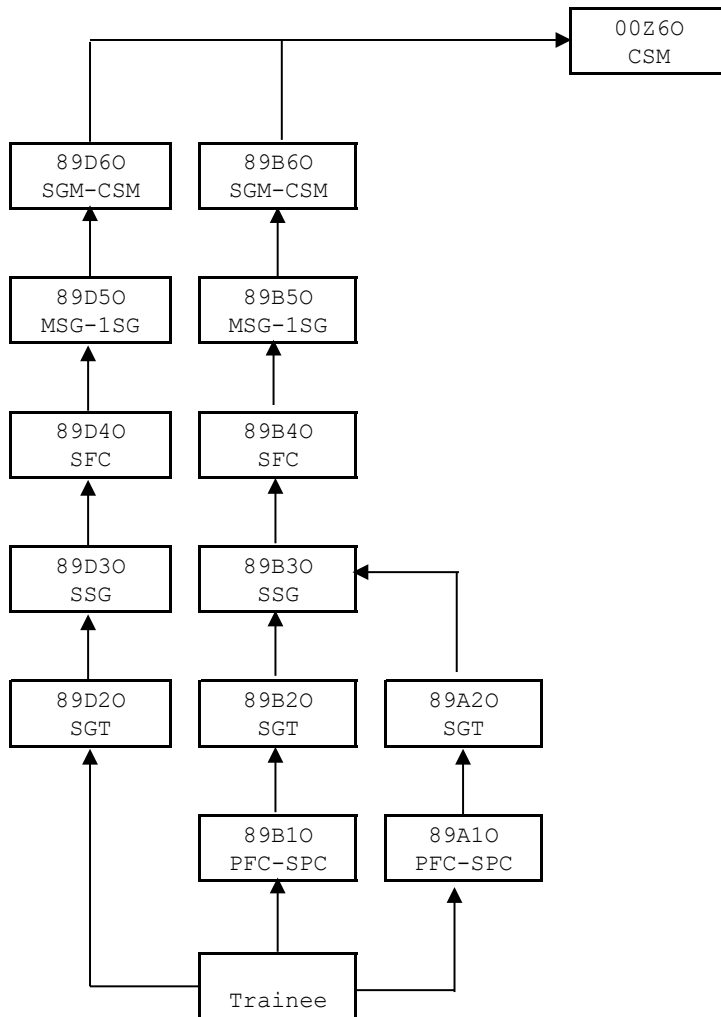


SUBSTITUTABILITY: None

—————> Line of normal progression.

Figure 10-88a. CMF 88 - Transportation career progression (Effective 201610)

Explosive Ordnance Disposal Specialist Ammunition Specialist Ammunition Stock Control and Accounting Specialist Command Sergeant Major Nominative



SUBSTITUTABILITY: Between 89A and 89B at skill level 1 and 2 only, if 89B previously performed Ammunition Stock Control and Accounting Specialist duties prior to October 2007.

→ progression.

Figure 10-89. CMF 89 - Ammunition career progression (Effective 202310)

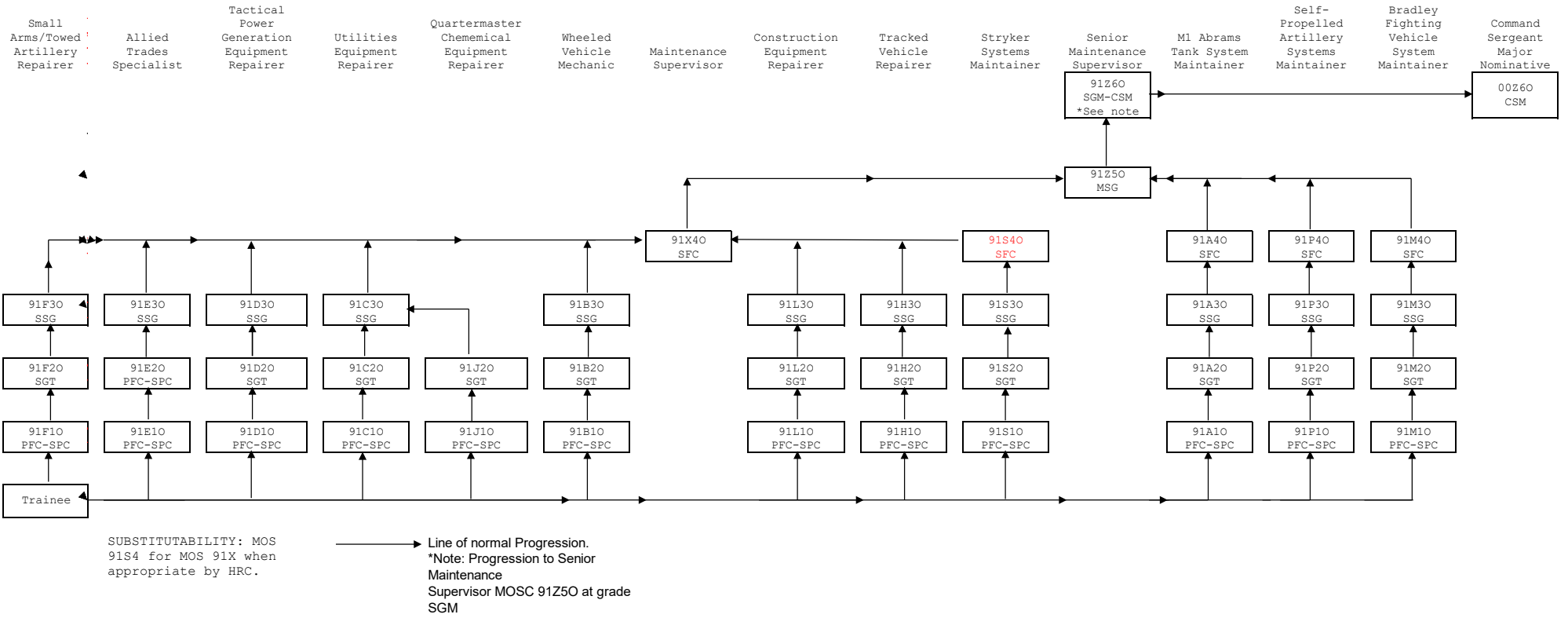


Figure 10-91c. CMF 91--Mechanical Maintenance Career Progression (Effective 201910)

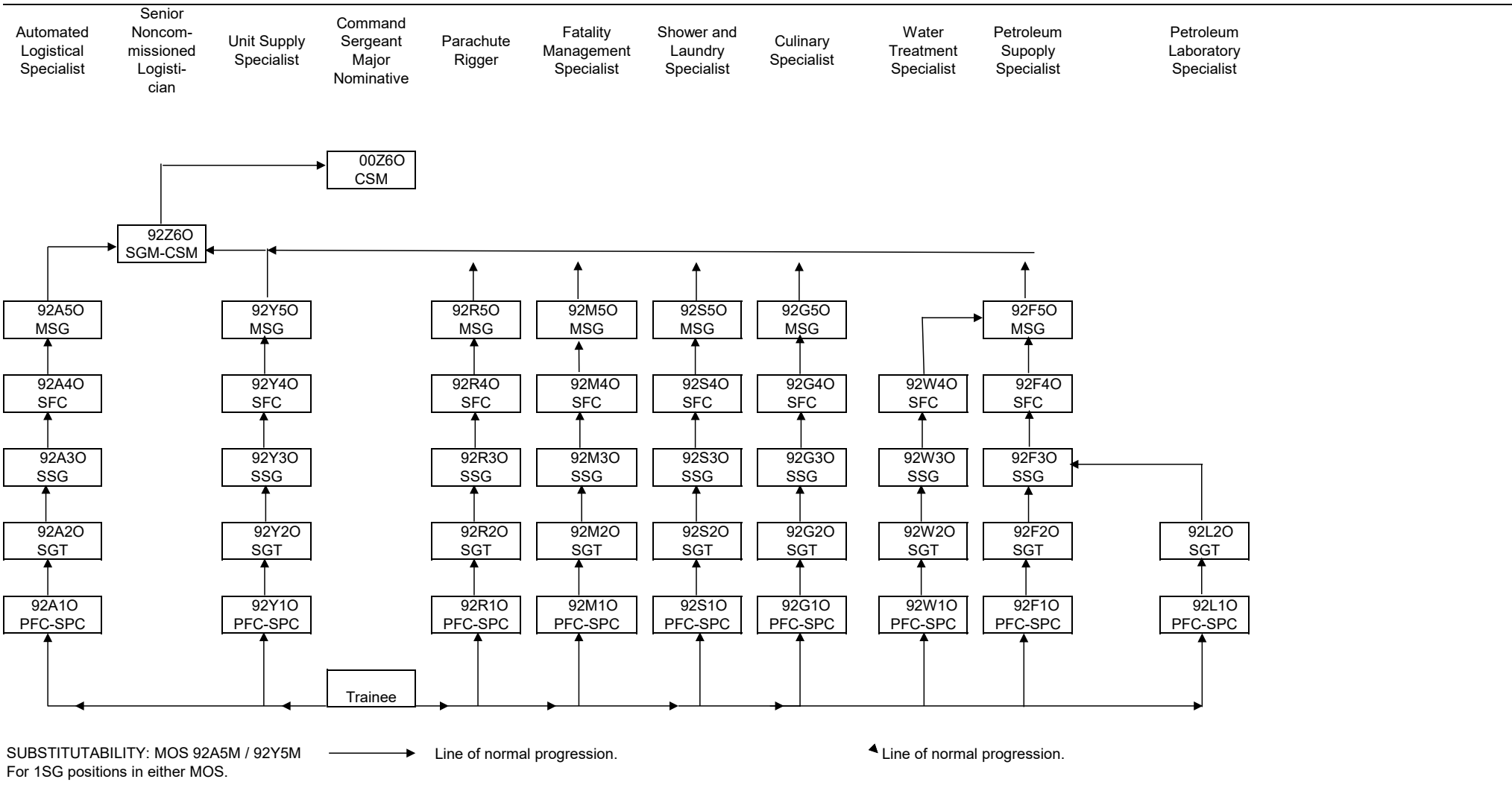


Figure 10-92a. CMF 92 - Supply and Services career progression (Effective 202510)

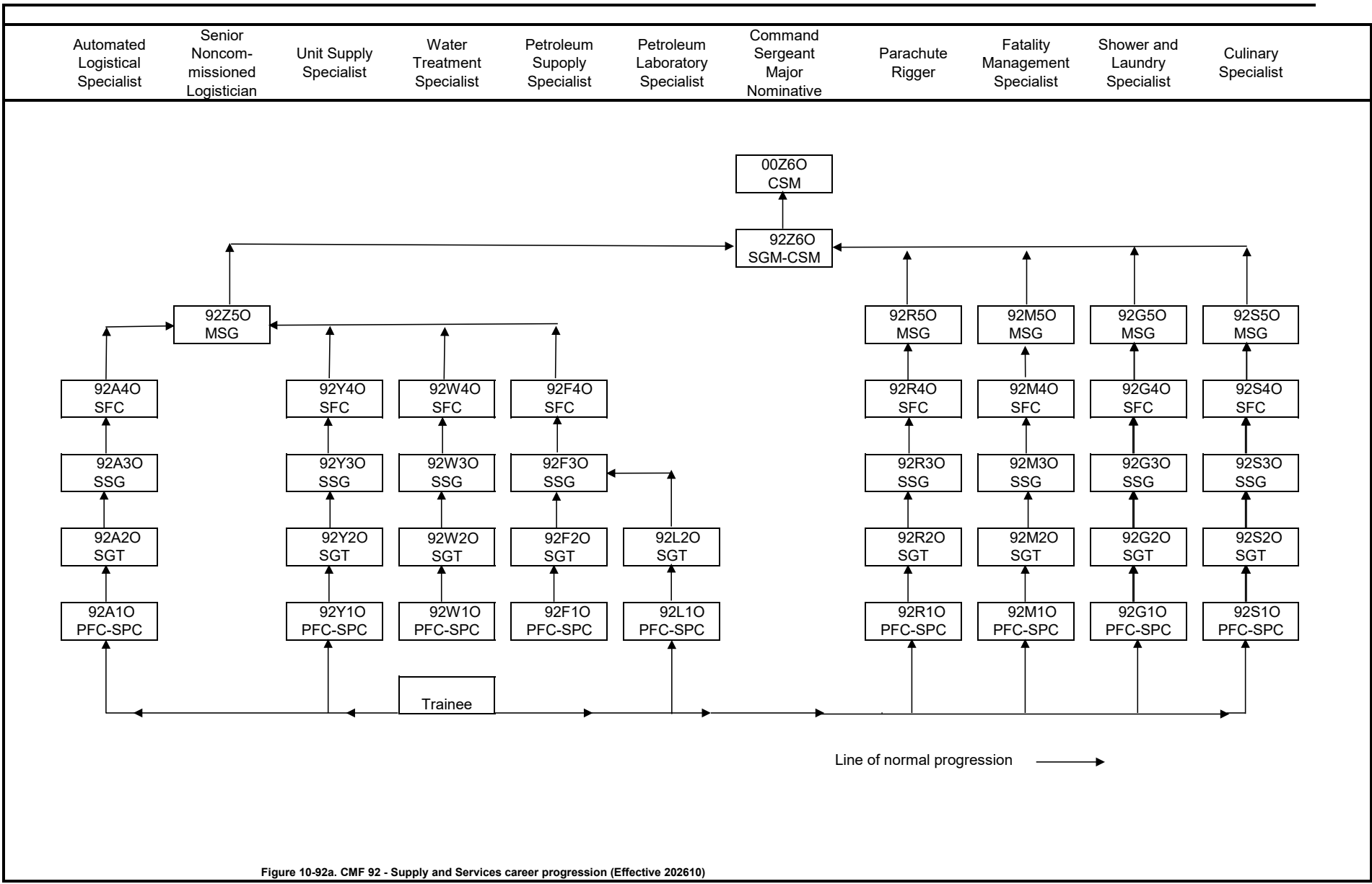


Figure 10-92a. CMF 92 - Supply and Services career progression (Effective 202610)

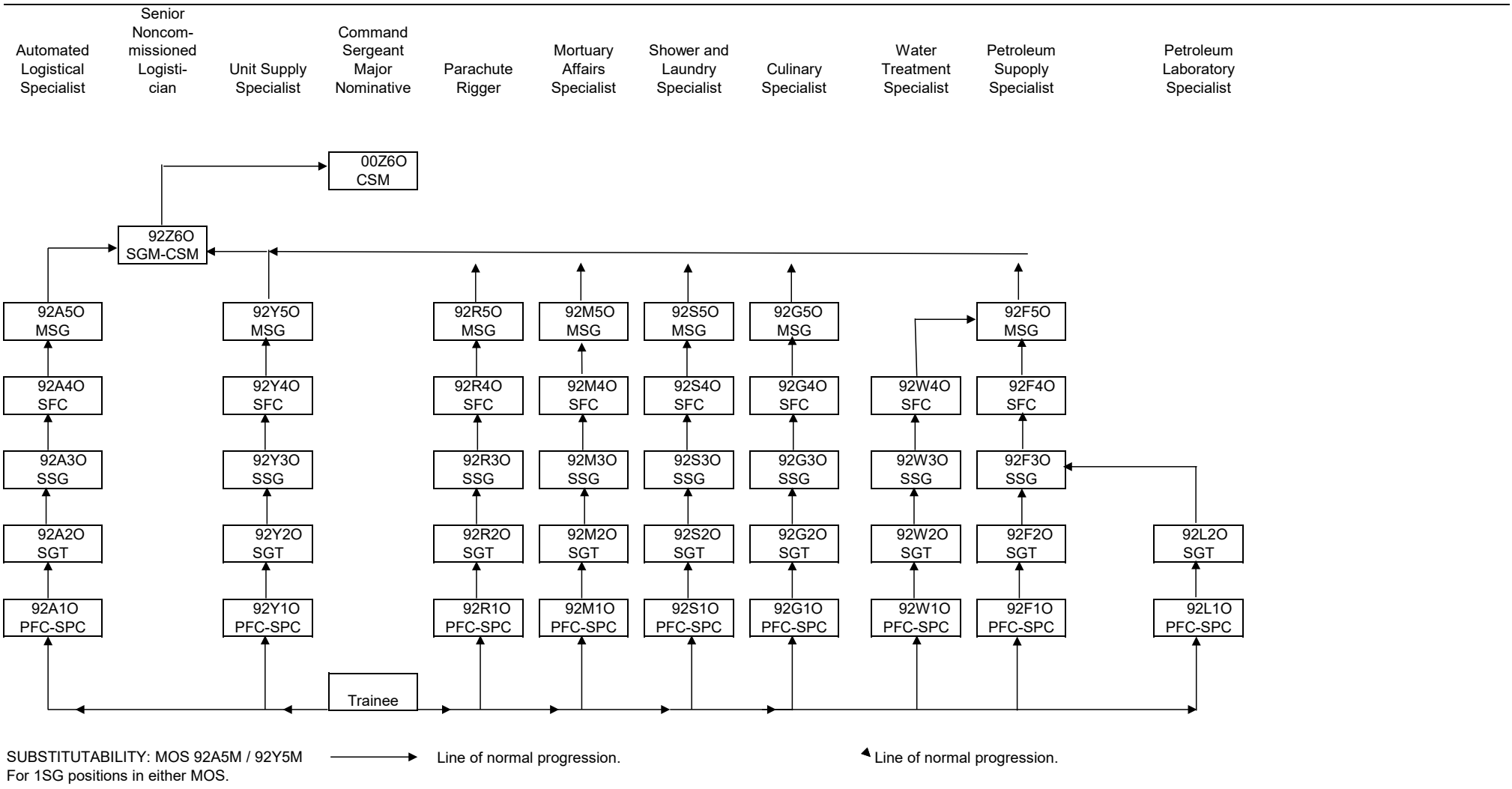


Figure 10-92a. CMF 92 - Supply and Services career progression (Effective 202410)

Land Combat
Electronic
Missile System
Repairer

Radio Equipment
Repairer

Computer/
Detection
Systems Repairer

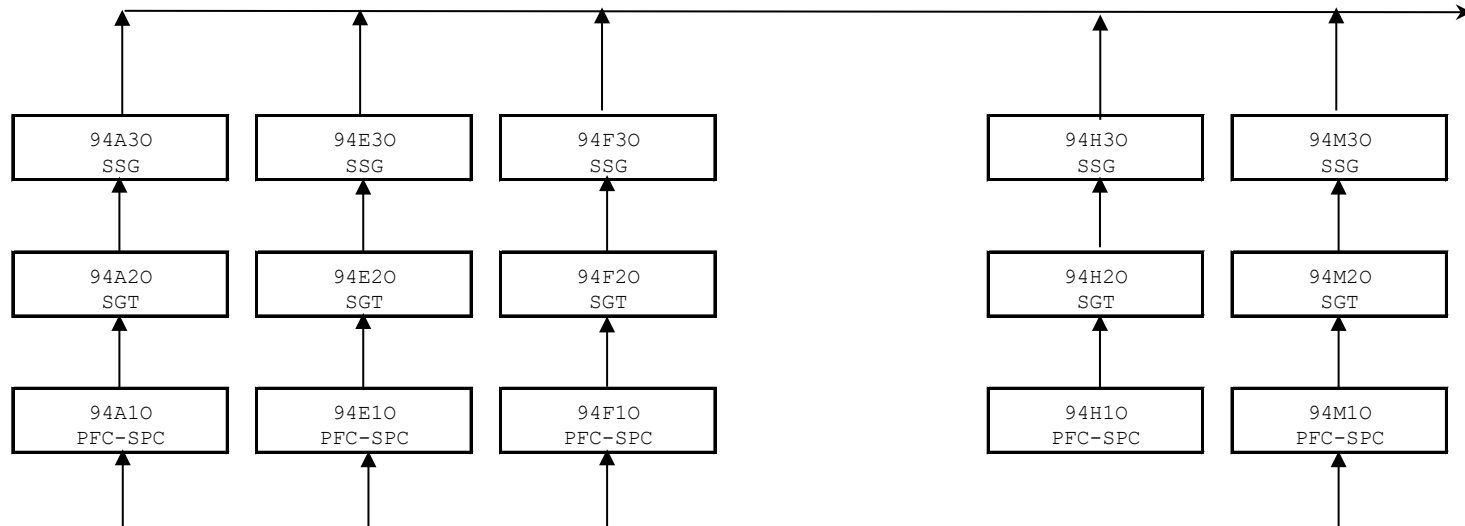
Senior
Electronic
Maintenance
Supervisor

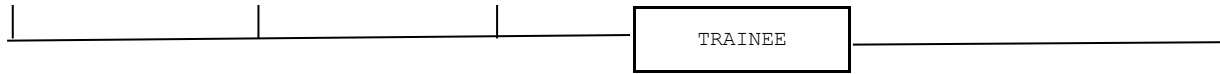
Test Measurement
and Diagnostic
Equipment (TMDE)
Maintenance
Support
Specialist

Radar Repairer

94Z60
SGM-CSM

94Z50
MSG





SUBSTITUTABILITY: None.

Figure 10-94a. CMF 94 - Electronic Maintenance and Calibr

Electronic
Maintenance
Supervisor

Multiple Launch
Rocket System
(MLRS) Repairer

Avionic and
Survivability
Equipment
Repairer

Short Range Air
Defense System
Repairer

Automated Test
Systems (ATS)
Operator and
Maintainer

Air Traffic
Control
Equipment
Repairer

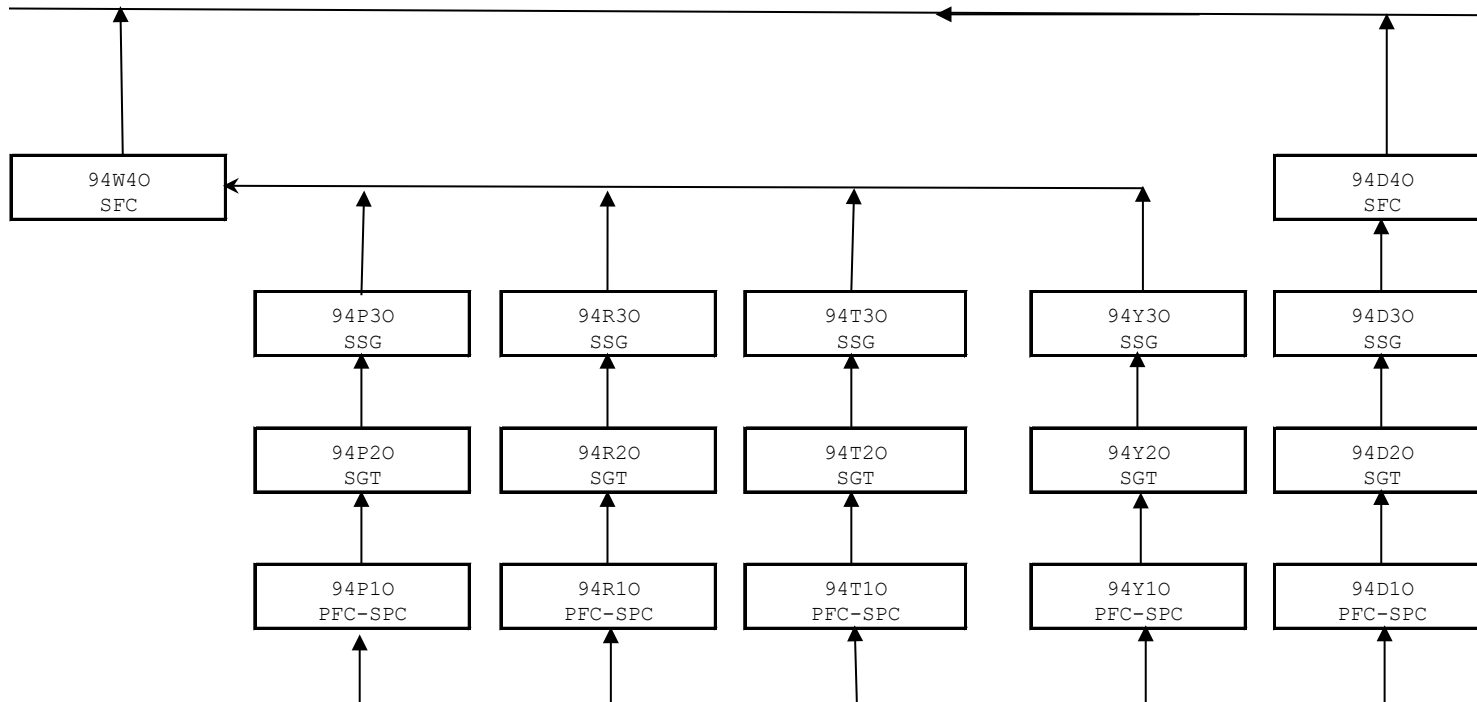




Figure 10-94c. CMF 94 - Electronic Maintenance and Calibration career progression (Effective 20181001)
