

## **Chapter 10**

### **Section A**

#### **Enlisted Career Progression Charts**

##### **10-1-1. General**

This chapter contains career progression charts for each enlisted career management field (CMF) and approved for enlisted classification.

##### **10-1-2. Specifications for Enlisted Career Progression Charts**

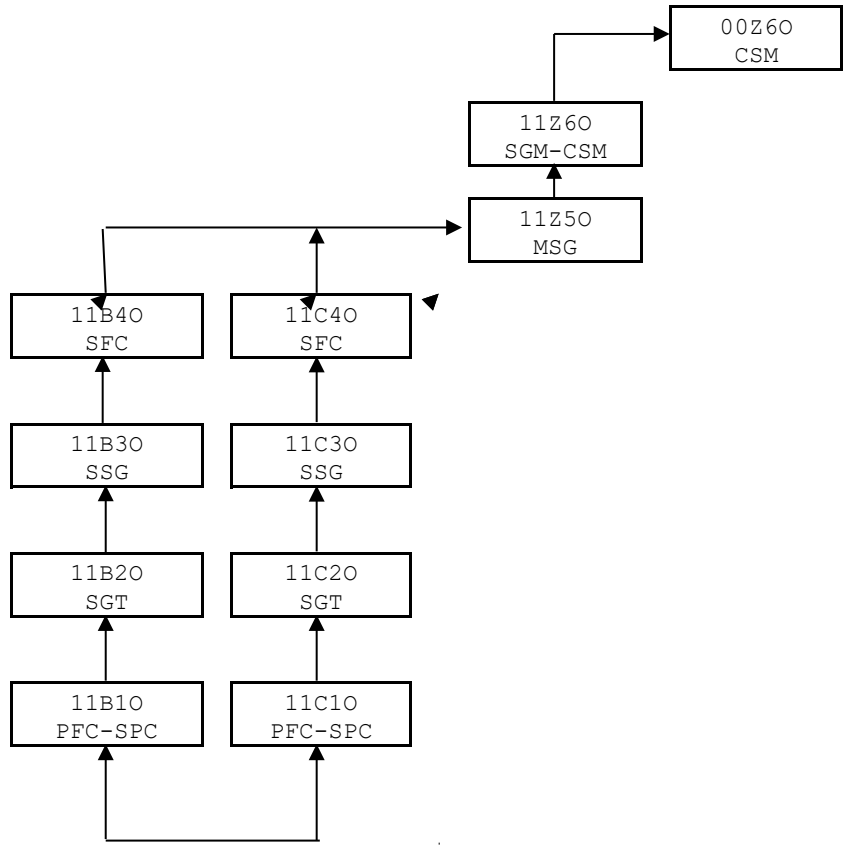
This chapter contains career progression charts for each enlisted specialty. The chapter is organized by each CMF and defined as CMF XX where XX represents the enlisted CMF. For example the specifications for CMF13, Field Artillery are located in section CMF 13.

**Table 10-1-1  
MOS Substitution**

CMF	Substituting MOS	Substituted MOS
11	11C	11B
12	None	
13	None	
14	None	
15	None	
17	None	
18	None	
19	None	
25	None	
25	None	
27	None	
29	None	
31	None	
35	None	
36	None	
37	None	
38	Any; Must be E-5 with 5 Yrs Service	38
42	None	
46	46V1O (Eff 202210)	46S1O
51	None	
56	None	
68	68	Any CMF 68 MOS can serve as First Sgt, Operations, Intel/plans, Tng, IG, EOA, or Det Sgt at the MSG and SFC levels
74	None	
79	None	
88	None	
89	89A and 89B	At skill level 1 only and if 89B previously performed Ammunition Stock Control & Accounting Specialist duties prior to Oct 2007
91	91F	91K

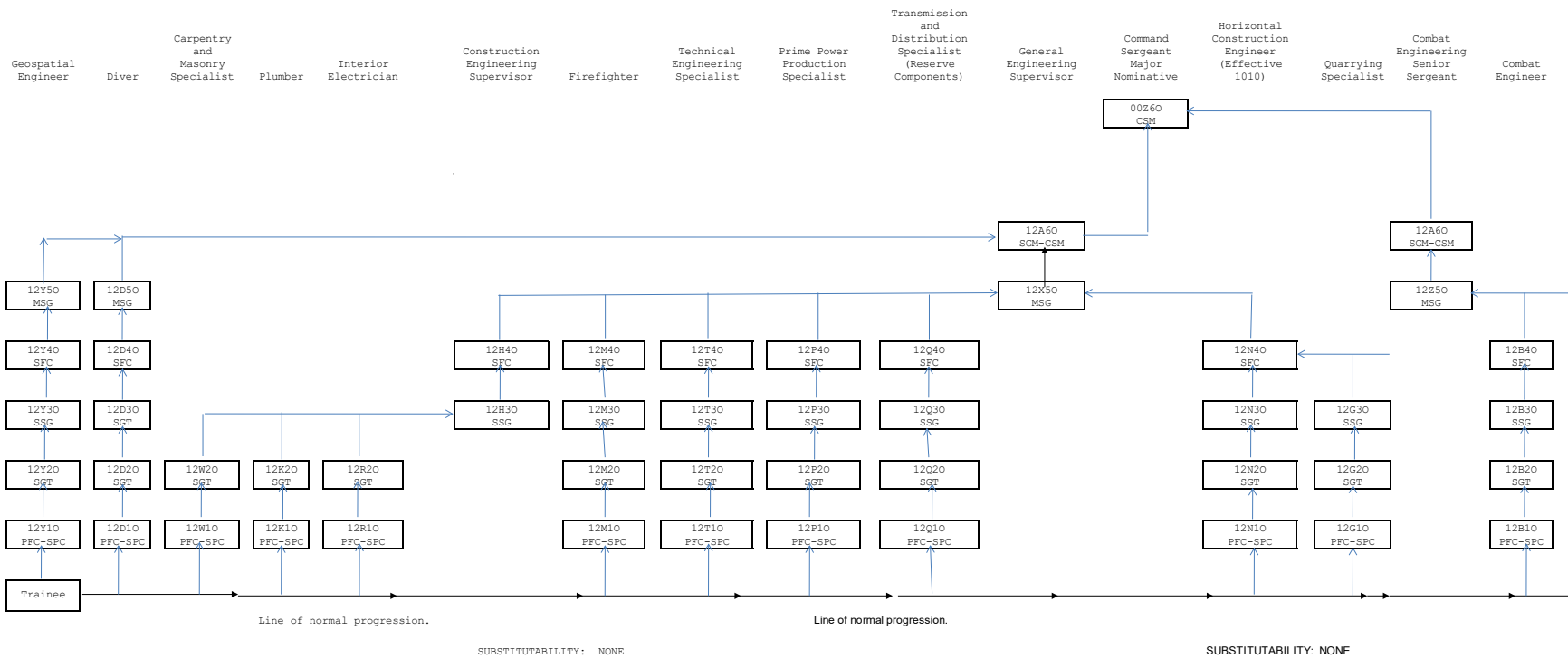
92	92A5M	92Y5M
92	92Y5M	92A5M
94	None	

			Command Sergeant Major Nominative
	Indirect Fire Infantryman	Infantry Senior Sergeant	
Infantryman			



SUBSTITUTABILITY: 11C for 11B ◀

**Figure 10-11. CMF 11 - Infantry career progression (Effective 1110)**

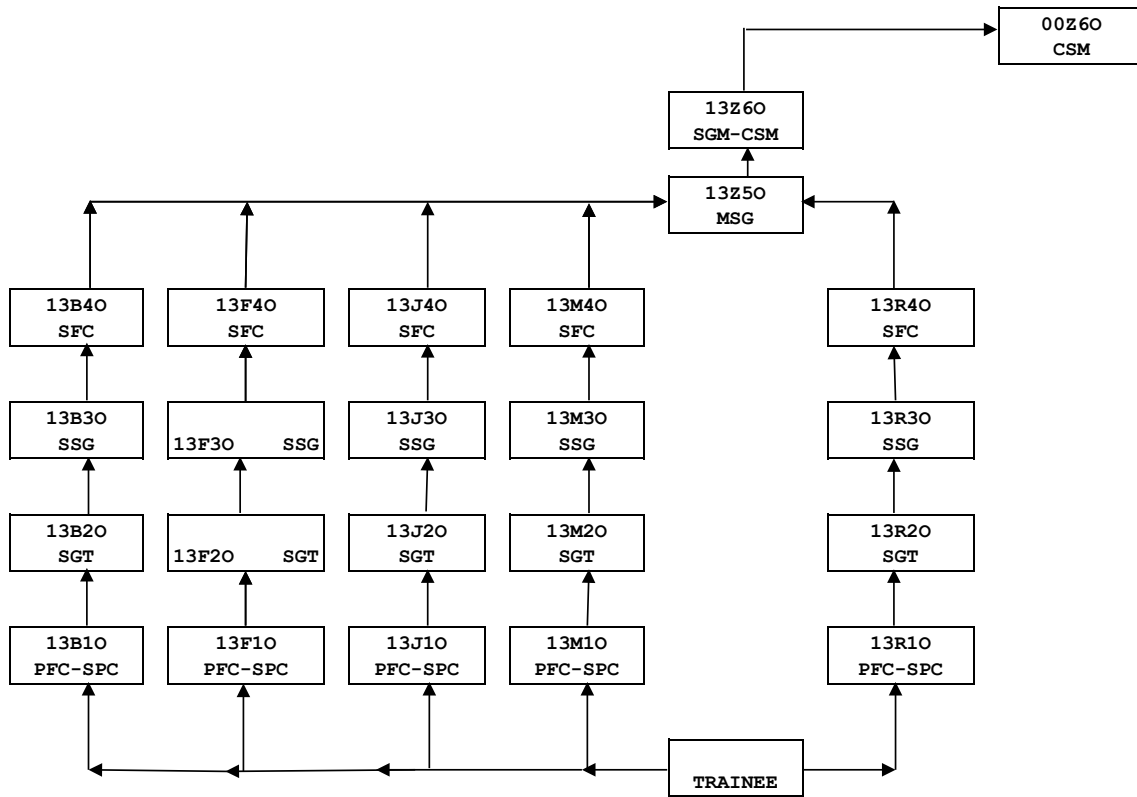


10-12a CMF 12 - Engineer career progression (Effective 202310)

Bridge  
Crewmember



Cannon Crew member	Joint Fire Support Specialist	Fire Control Specialist	Multiple Launch Rocket System Crew member	Field Artillery Senior Sergeant	Field Artillery Firefinder Radar Operator	Command Sergeant Major Nominative
--------------------------	-------------------------------------	-------------------------------	--	--	---	--



SUBSTITUTABILITY: NONE.

—————> Line of normal

Figure 10-13a. CMF 13 - Field Artillery career progression (Effective 201710)

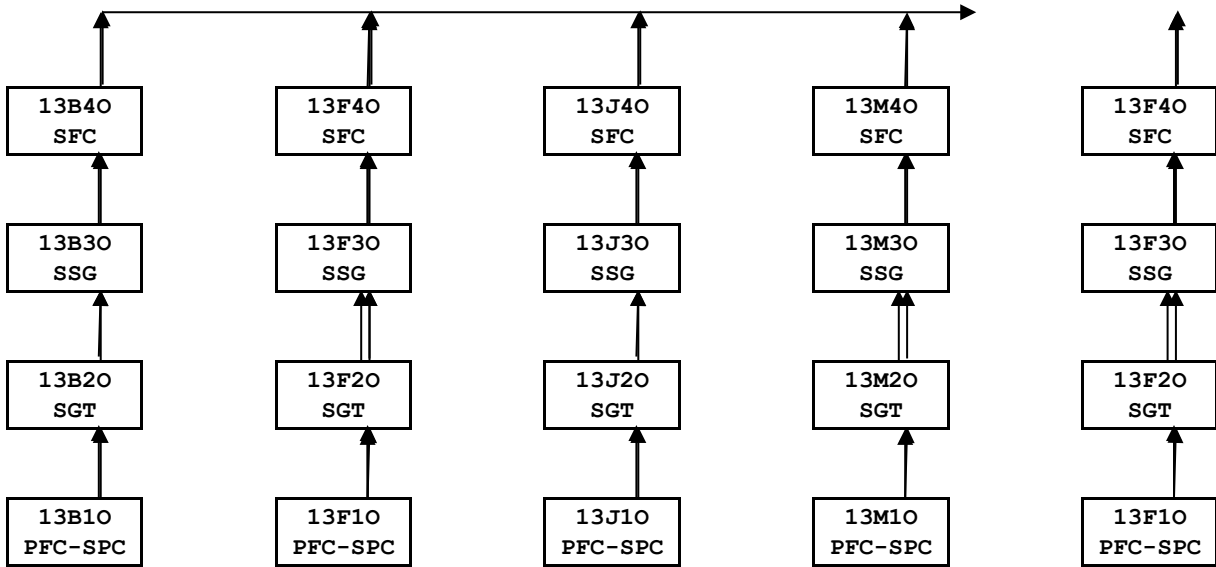
Cannon  
Crew  
member

Joint  
Fire  
Support  
Speciali  
st

Fire  
Control  
Speciali  
st

Multiple  
Launch  
Rocket  
System  
Crew  
member

Joint  
Fire  
Support  
Speciali  
st





Patriot Fire Control Enhanced Operator/ Maintainer	Air Defense Battle Management System Operator	Air Defense Enhanced Early Warning Operator	Air Defense Artillery Senior Sergeant	Air and Missile Defense Crewmember	Avenger Crewmember	Patriot Launching Station Enhanced Operator/ Maintainer	Command Sergeant Major Nominative
--	---	--	--	---	-----------------------	--	--

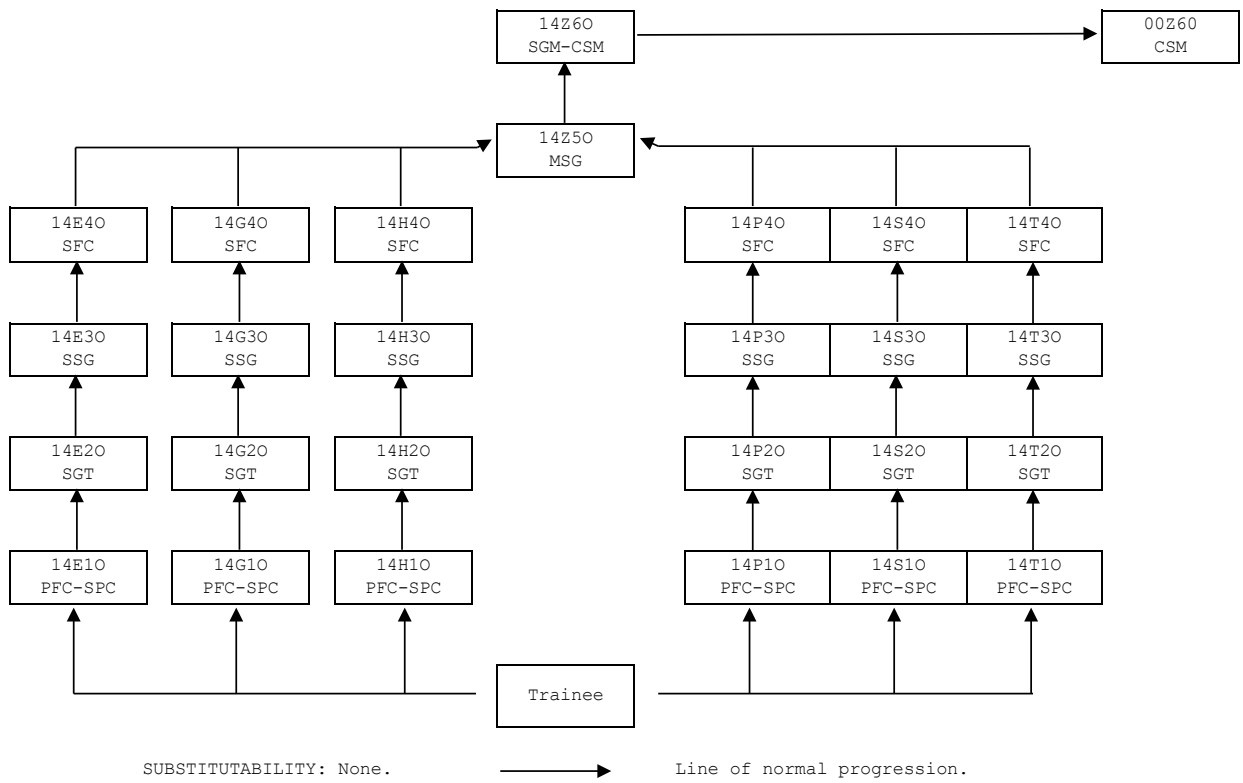
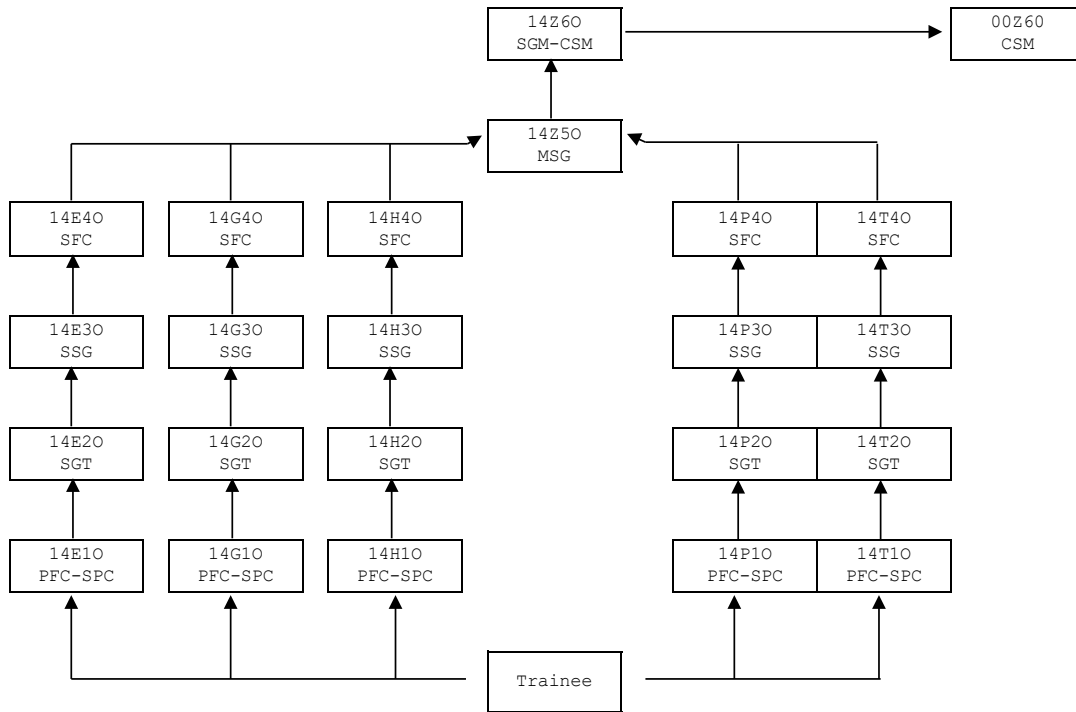


Figure 10-14. CMF 14 - Air Defense Artillery career progression (Effective 201610)

Patriot Fire Control Enhanced Operator/ Maintainer	Air Defense Battle Management System Operator	Air Defense Enhanced Early Warning Operator	Air Defense Artillery Senior Sergeant	Air and Missile Defense Crewmember	Patriot Launching Station Enhanced Operator/ Maintainer	Command Sergeant Major Nominative
--	---	--	--	---	--	--



SUBSTITUTABILITY: None.

—————> Line of normal progression.

Figure 10-14. CMF 14 - Air Defense Artillery career progression (Effective 202510)

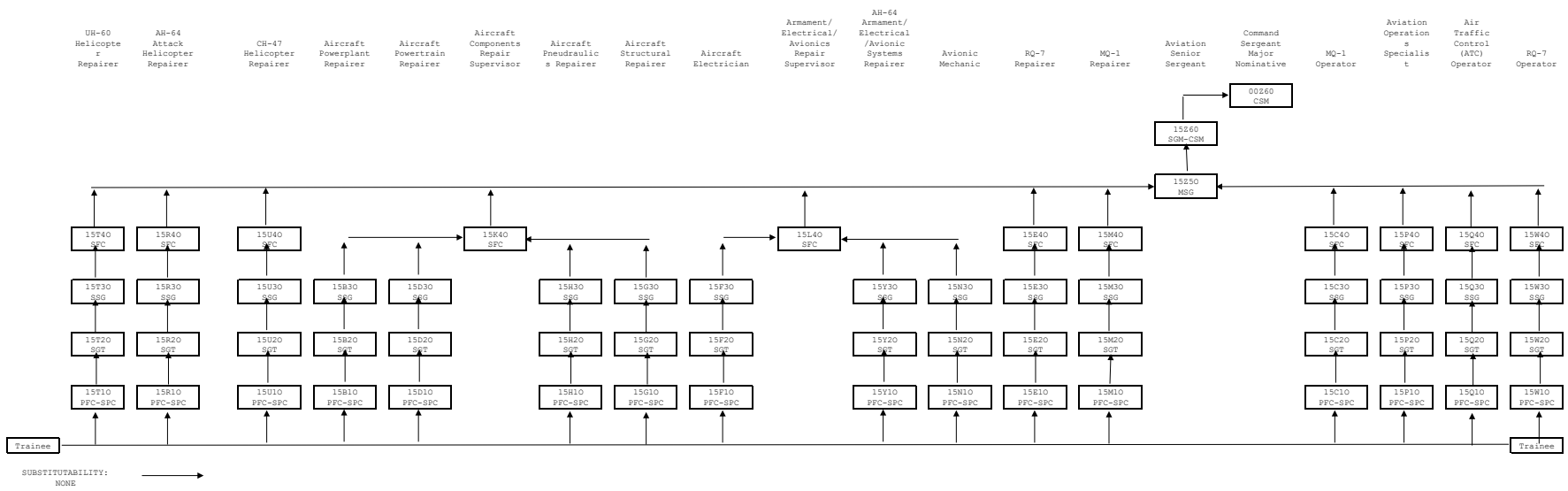
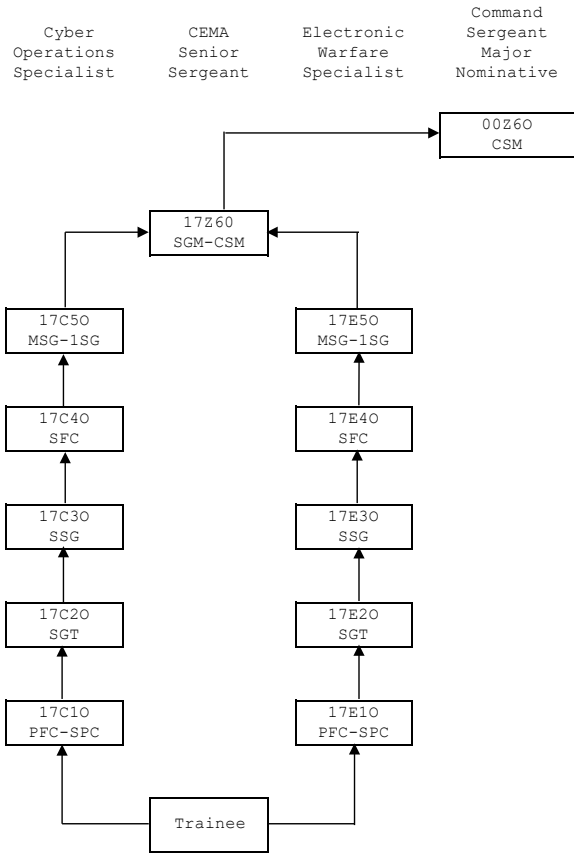


Figure 10-15 CMF 15 - Aviation career progression Effective 202110



SUBSTITUTABILITY FOR 17C: None

Figure 10-17. CMF 17 Cyber Career Progression (Effective 202210)

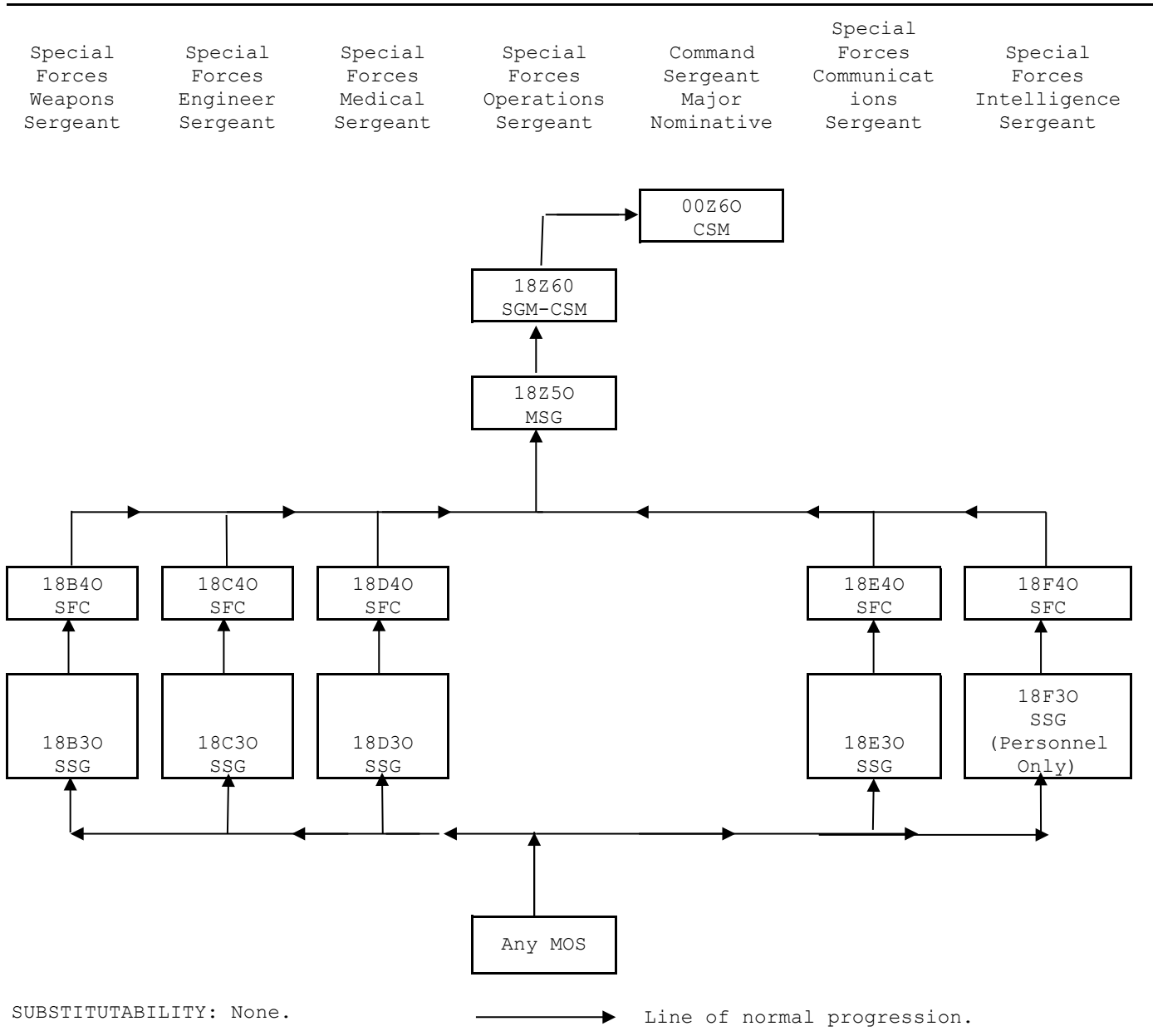
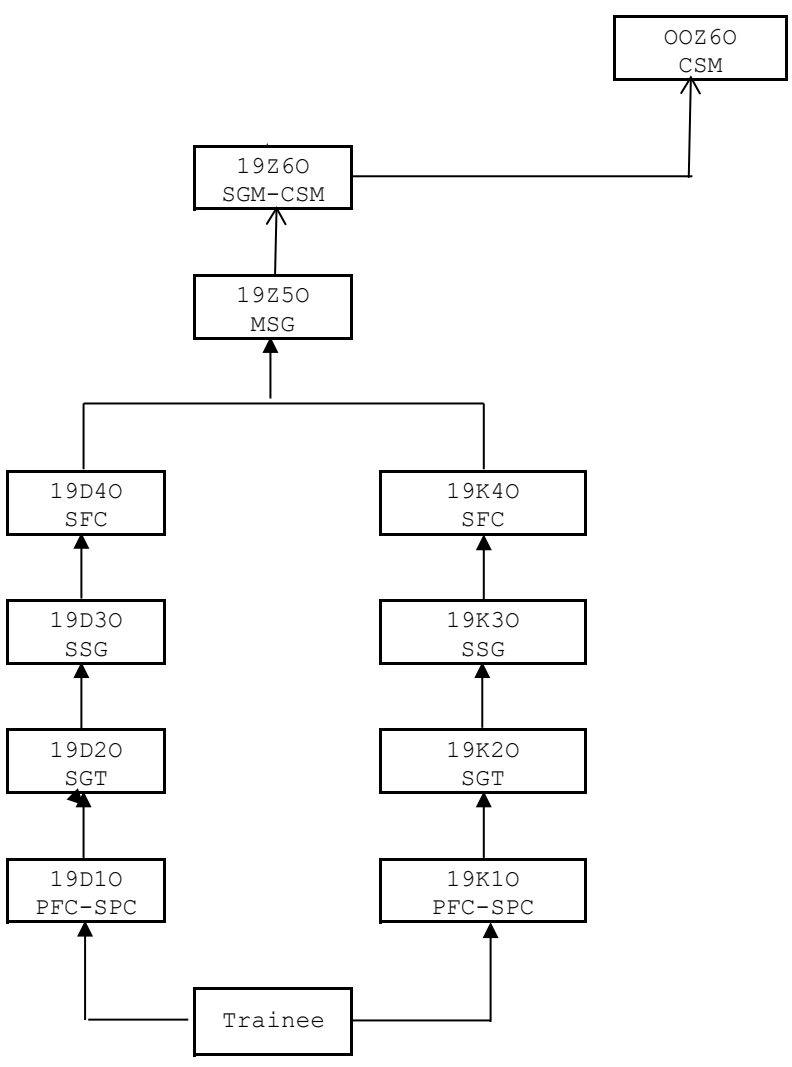


Figure 10-18. CMF 18-Special Forces career progression (Effective 202208)

---

Cavalry Scout      Armor Senior Sergeant      M1 Armor Crewman      Command Sergeant Major Nominative



SUBSTITUTABILITY: None.

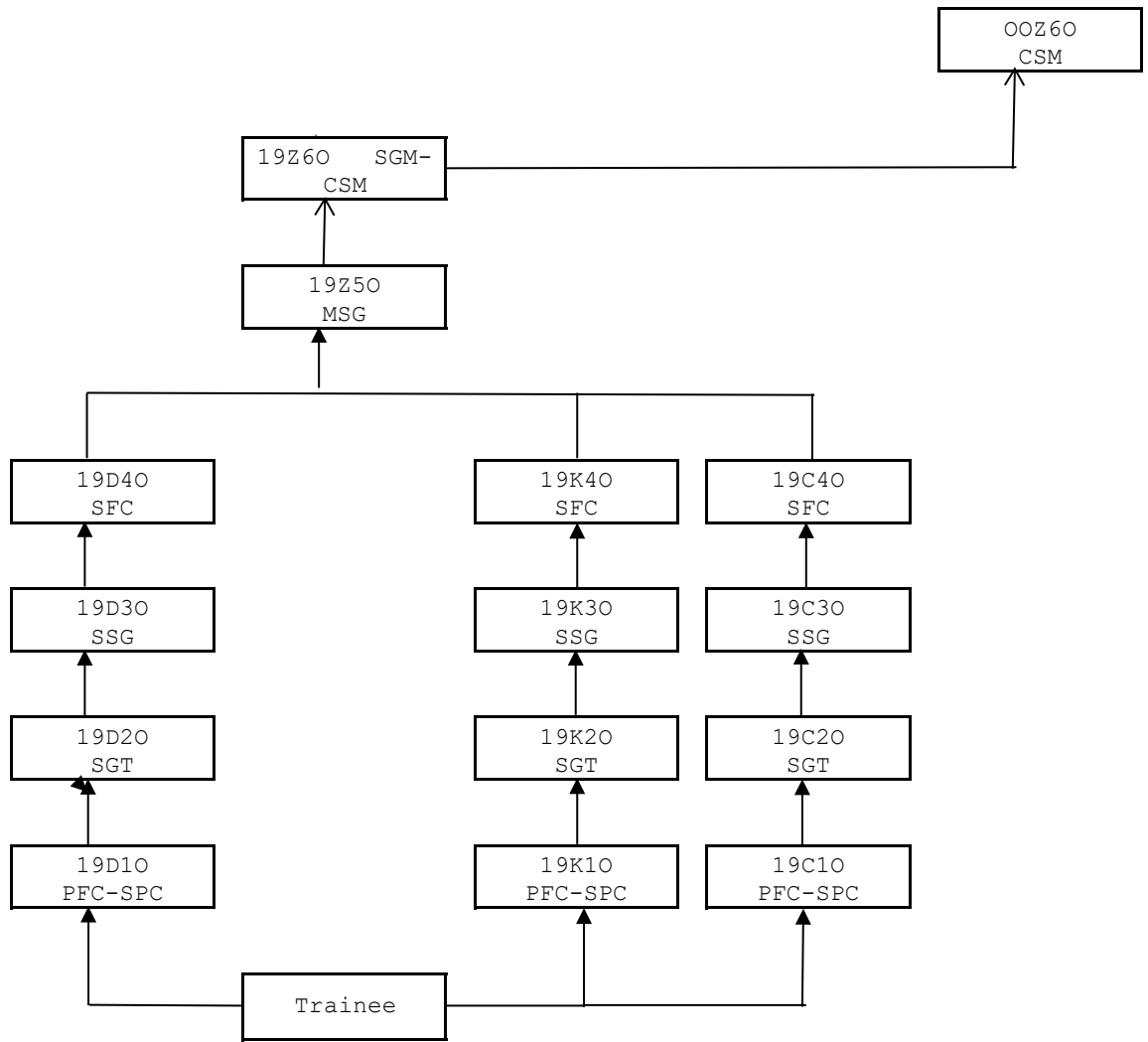
—————> Line of normal progression.

---

Figure 10-19. CMF 19 - Armor career progression (Effective 1611)

---

Cavalry Scout      Armor Senior Sergeant      Armor Crewmember      Bradley Crewman      Command Sergeant Major Nominative

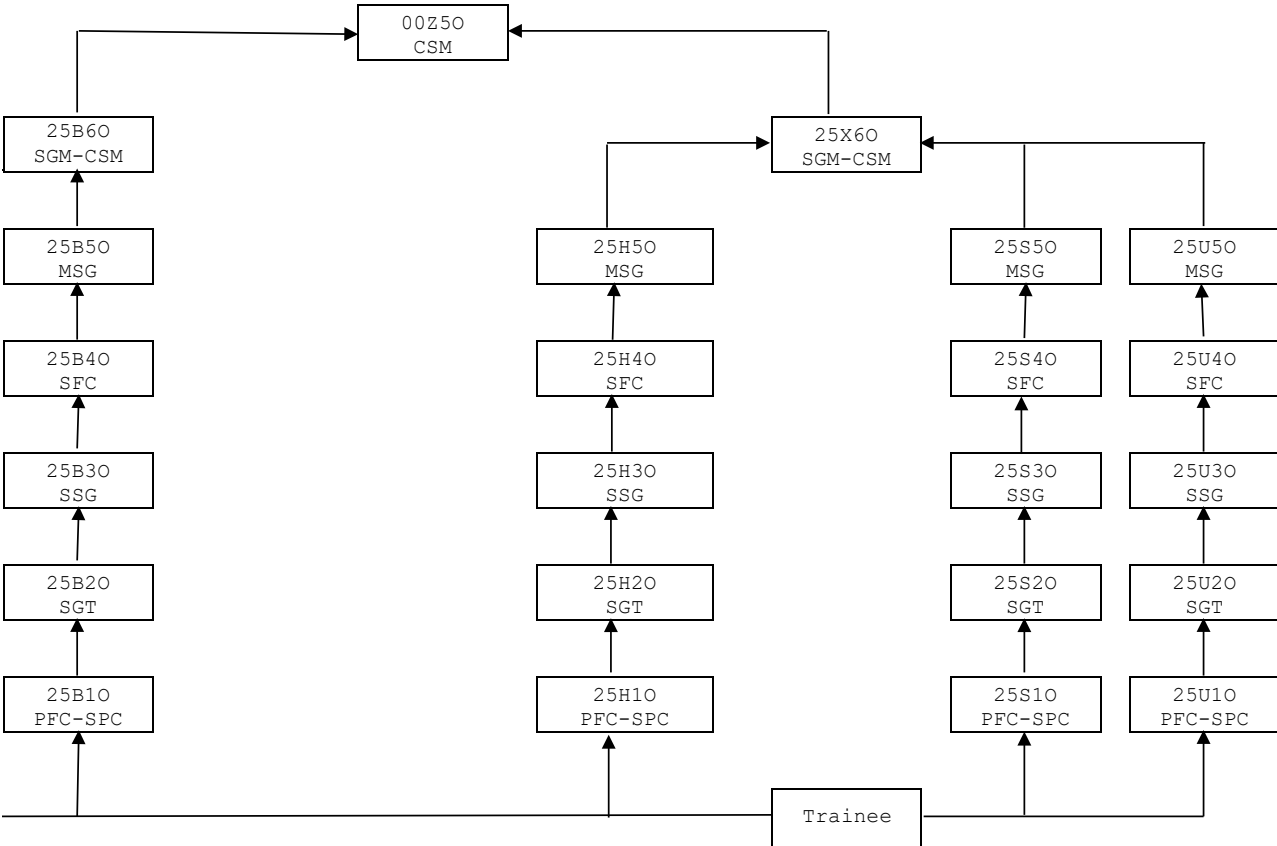


SUBSTITUTABILITY: None.

—————> Line of normal progression.

Figure 10-19. CMF 19 - Armor career progression (Effective 202410)

Information Technology Specialist      Command Sergeant Major Nominative      Cable Systems Installer-Maintainer      Network Communication Systems Specialist      Chief Signal NCO      Satellite Communications Systems Operator-Maintainer      Signal Operations Support Specialist



SUBSTITUTABILITY: None



Line of normal progression.

\*N  
fr  
↑

Effective 202210

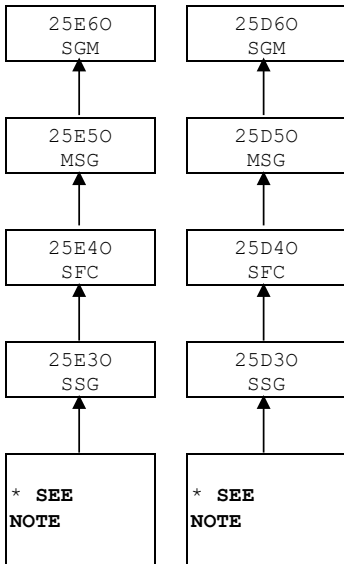
Figure 10-25a. CMF 25--Communication and Information Systems career pr



---

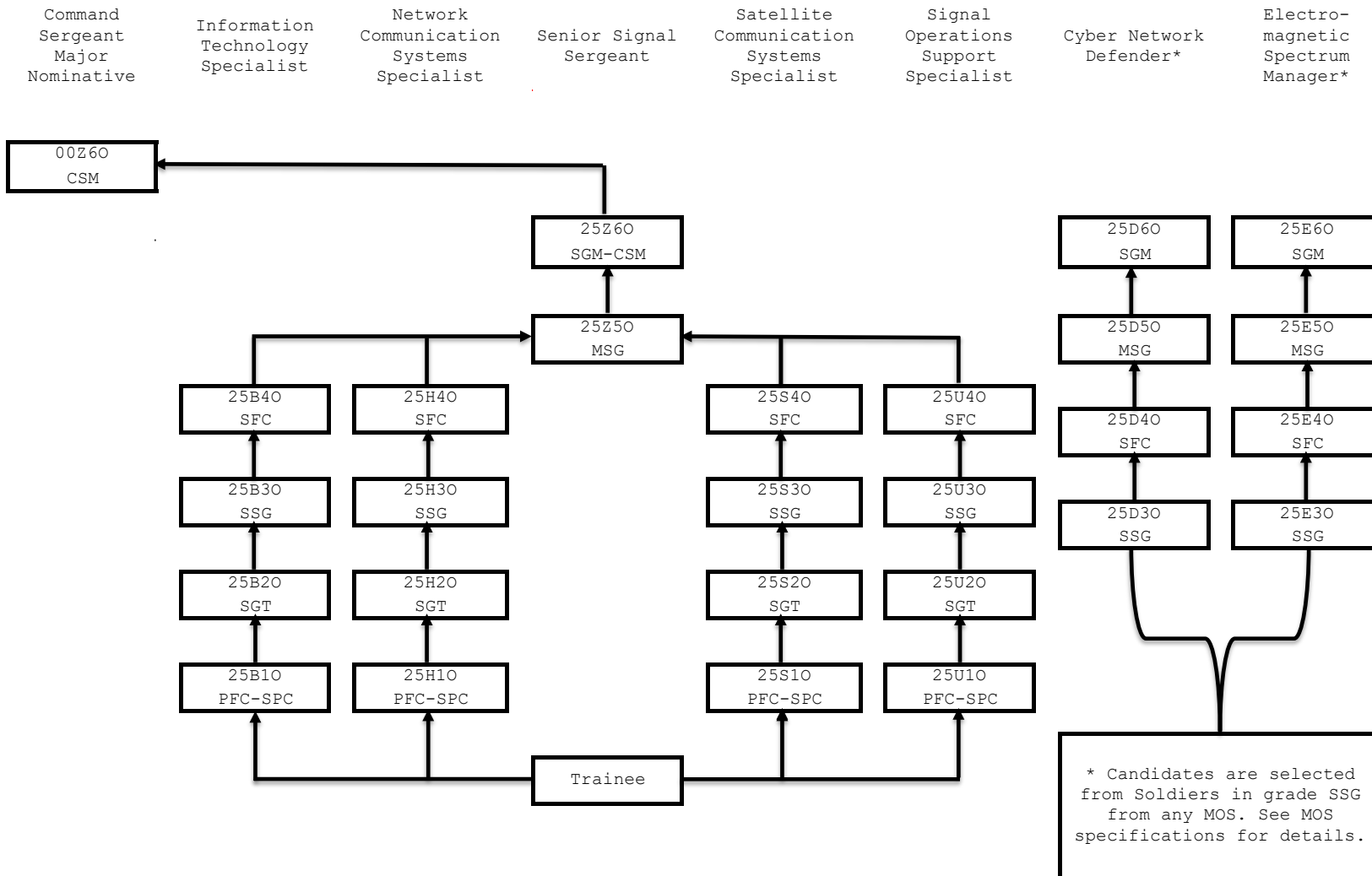
Electro-  
magnetic  
Spectrum  
Manager

Cyber  
Network  
Defender



OTE: Candidates will be selected from Soldiers in grade SSG in any MOS which has completed their required DLC.

Progression

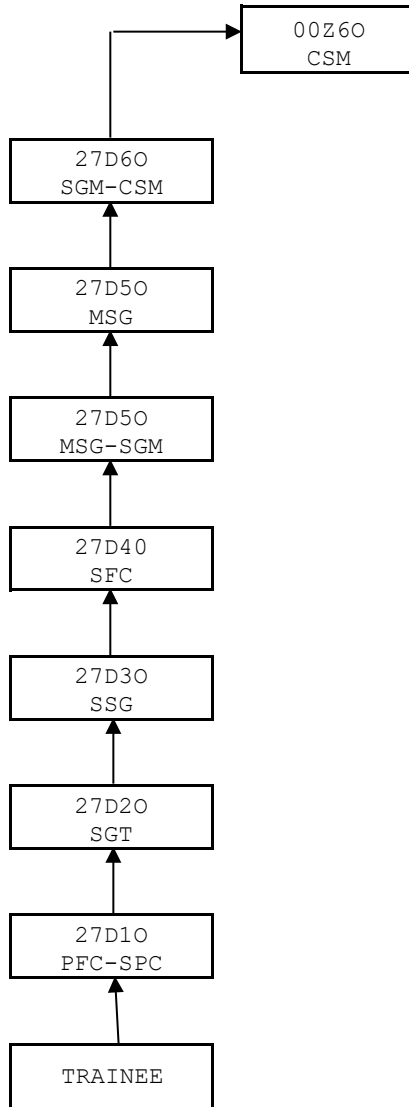


SUBSTITUTABILITY: None

Figure 10-25a. CMF 25--Signal career progression (Effective 202510)

Paralegal  
Specialist

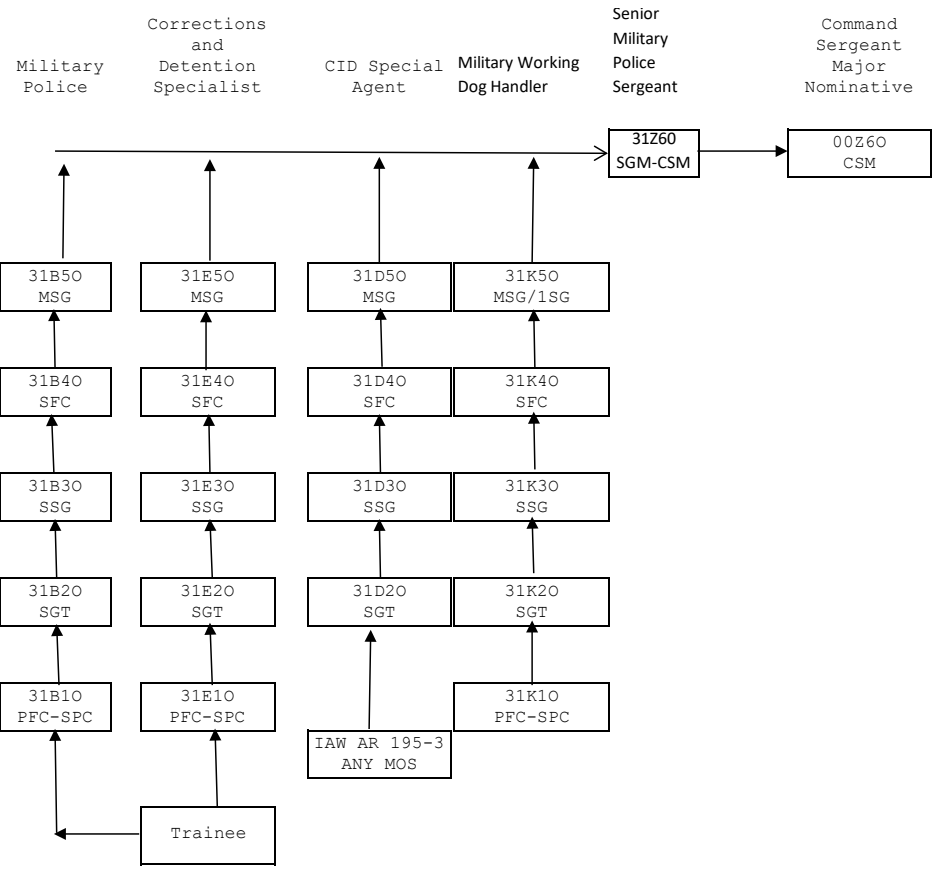
Command  
Sergeant  
Major  
Nominative



SUBSTITUTABILITY: None.

—————> Line of normal progression.

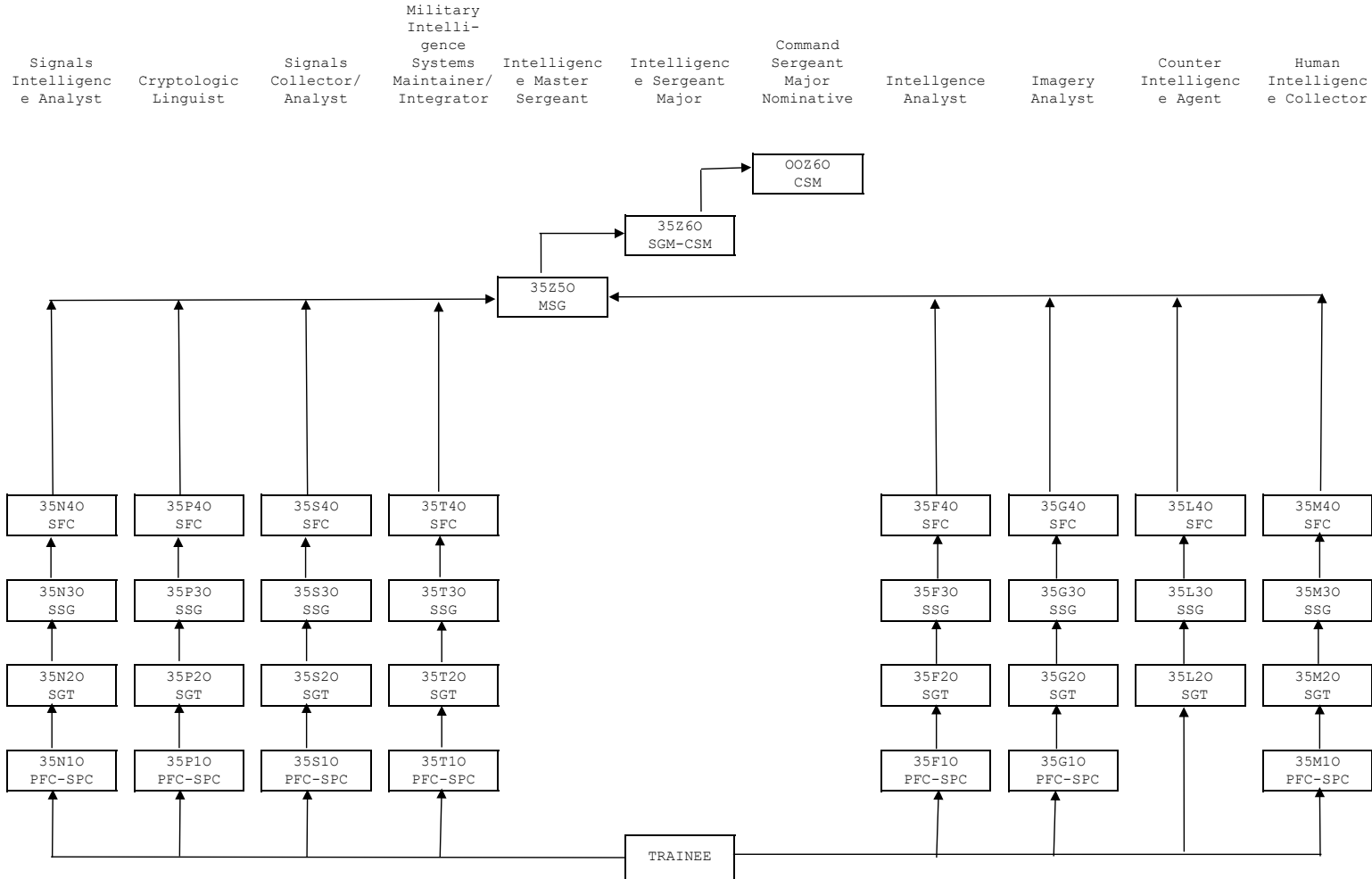
Figure 10-27. CMF 27--Paralegal career progression. (Effective 201110)



SUBSTITUTABILITY: None.

—————> Line of normal progression.

Figure 10-31. CMF 31 - Military Police career progression (Effective 202010)



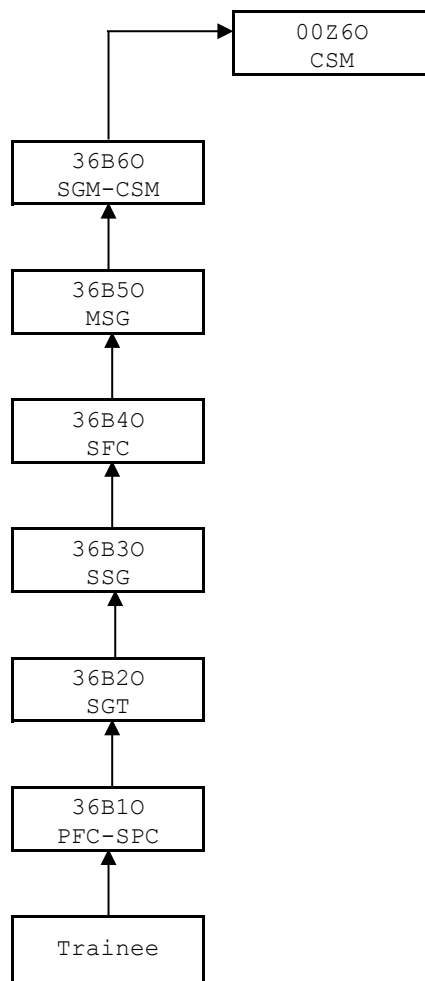
SUBSTITUTABILITY: None

Line of normal progression.

Figure 10-35. CMF 35 - Military Intelligence career progression (Effective 20201001)

---

Financial Management Technician      Command Sergeant Major Nominative



SUBSTITUTABILITY: None.

→ Line of normal progression.

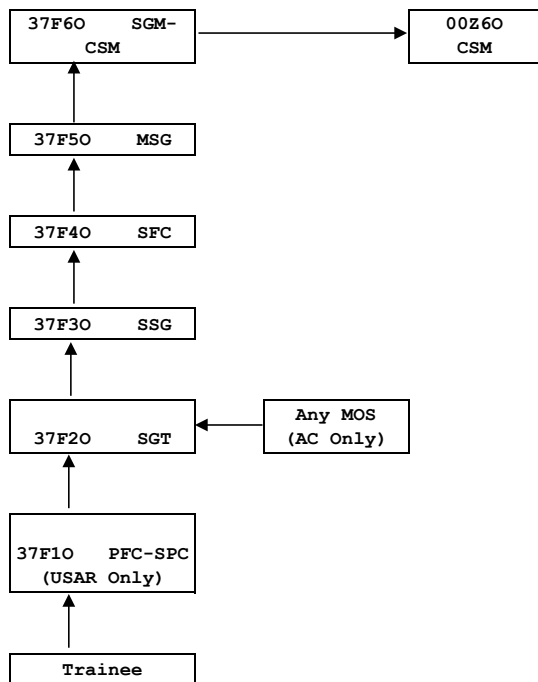
---

Figure 10-1. CMF 36--Financial management career progression. (Effective 201110)

---

Psychological  
Operations  
Specialist

Command  
Sergeant  
Major  
Nominative



SUBSTITUTABILITY: None.



Line of normal progression.

Figure 10-37. CMF 37 - Psychological Operations Career progression (Effective 201910)

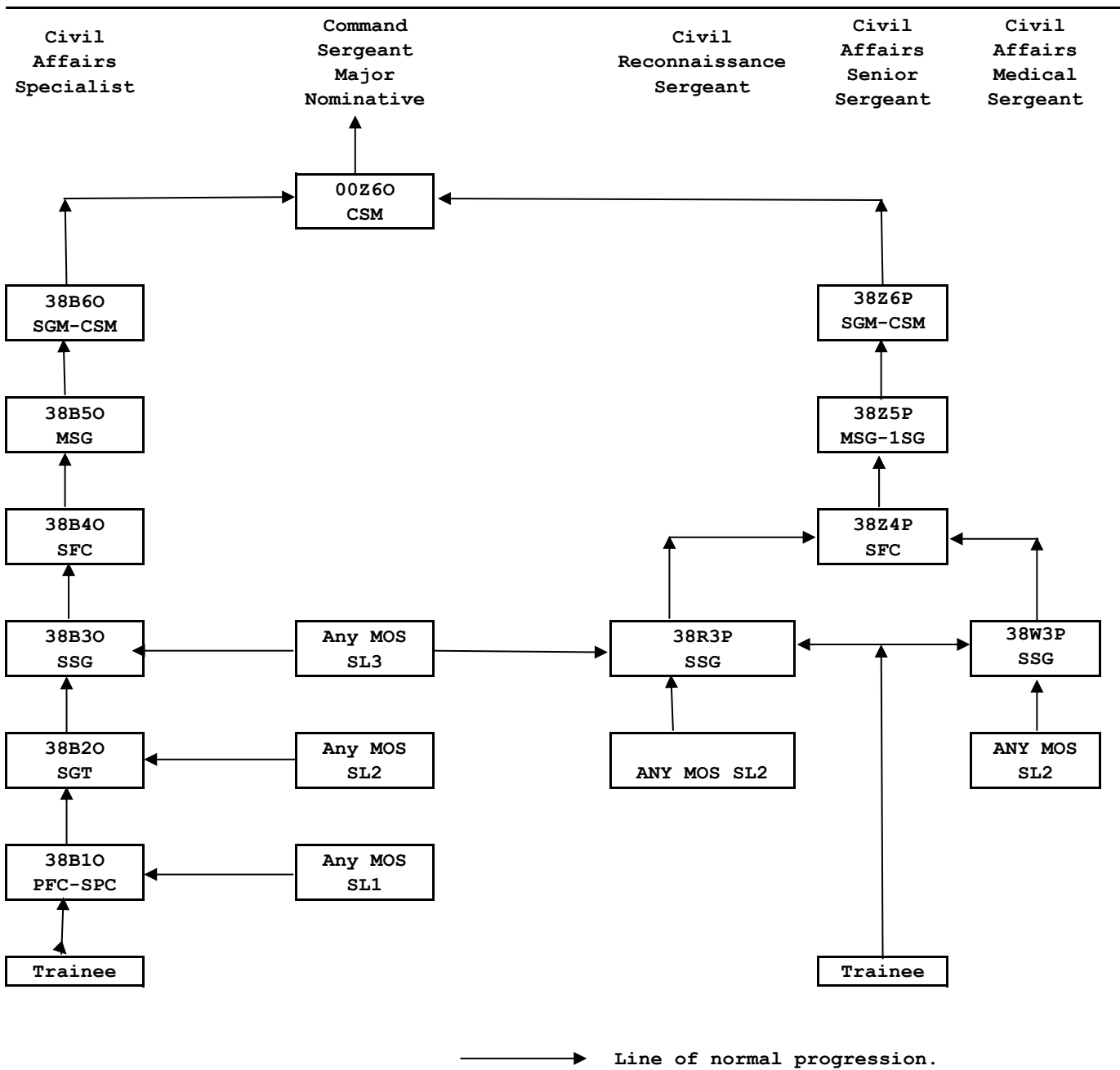
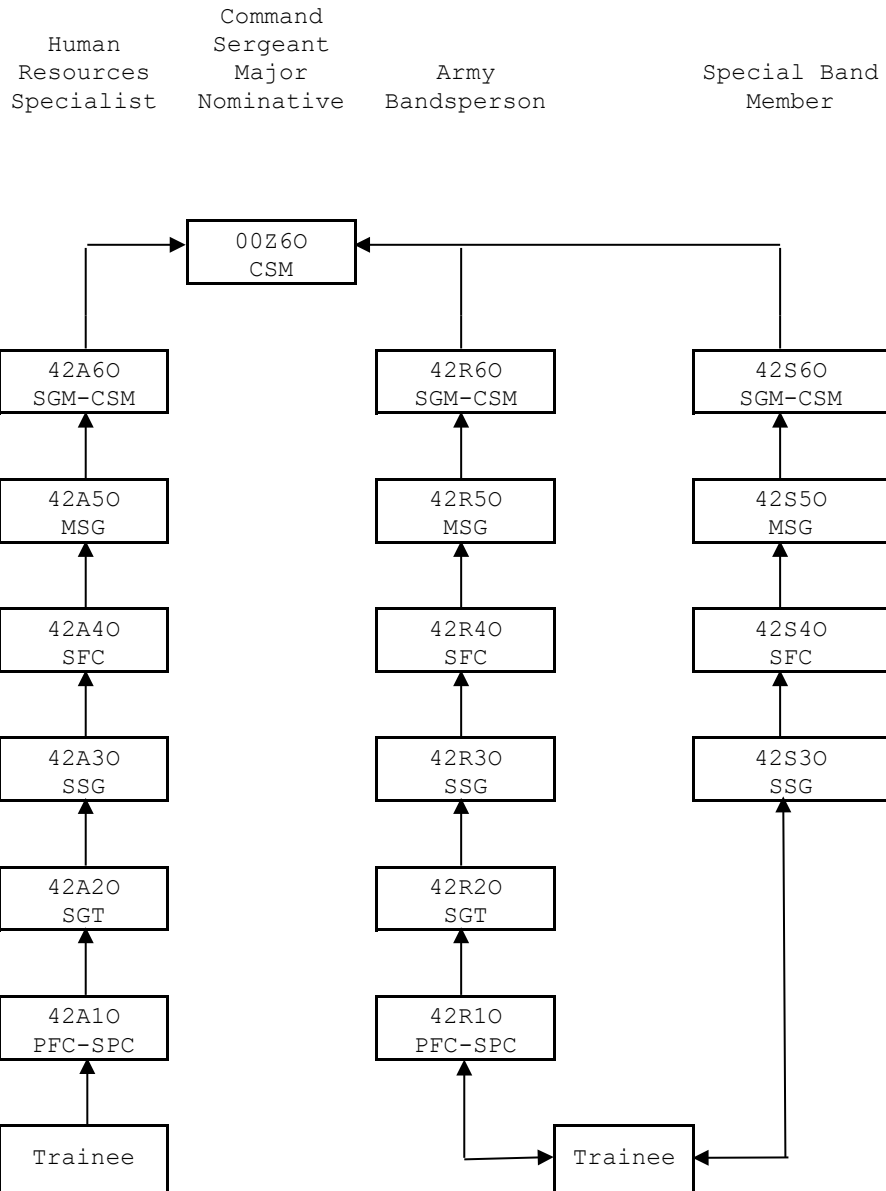


Figure 10-38. CMF 38 - Civil Affairs Specialist career progression (Effective 202310)

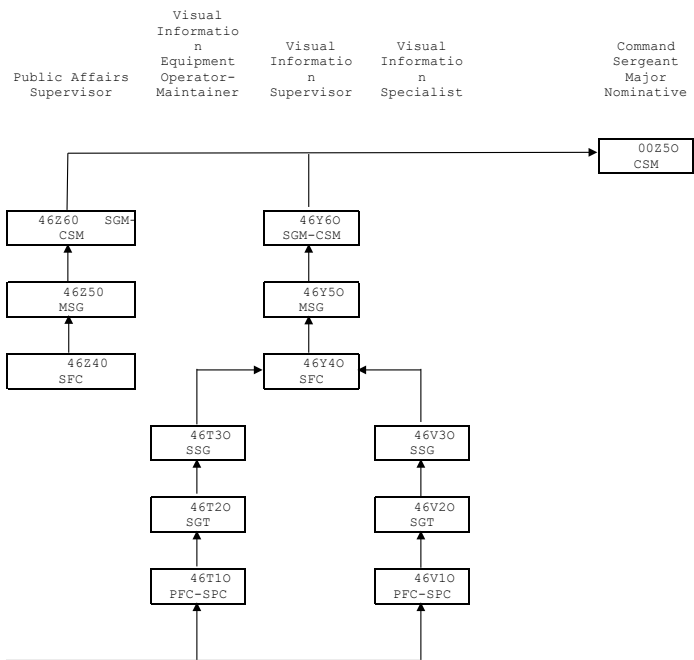




SUBSTITUTABILITY:  
None.

—————> Line of normal progression.

Figure 10-1. CMF 42--Adjutant General career progression. (Effective 201110)

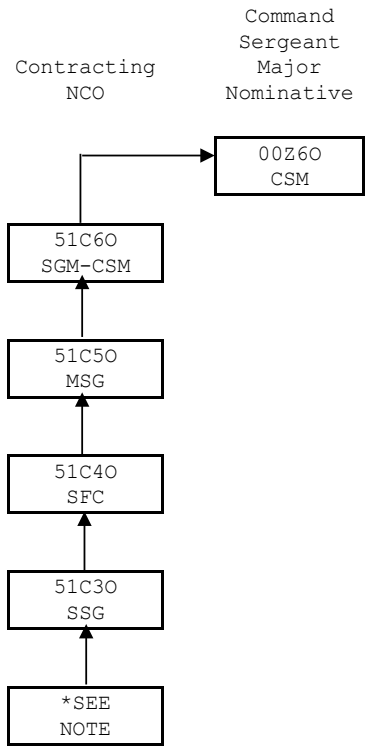


ILITY: 46V10  
46S10

→ Line of normal progression.

Effective 202210

i. CMF 46--Public Affairs and Visual Information career progression



SUBSTITUTABILITY: None.

\* SGT through SSG (non-promotable) may request accession into MOS 51C by (DA Form 4187). SM will be coded with ASI 4B until successful completion of MOSQ training at the Army Acquisition Center of Excellence. USAR and ARNG NCOs may alternatively complete Defense Acquisition University (DAU) Level I course in contracting and CON electives to become MOSQ. MOS 51C is not awarded until MOSQ training is successfully completed. Any enlisted MOS is considered a feeder MOS for MOS 51C.

Figure 10-51. CMF 51 - Acquisition, Logistics & Technology career progression (Effective 20180801)

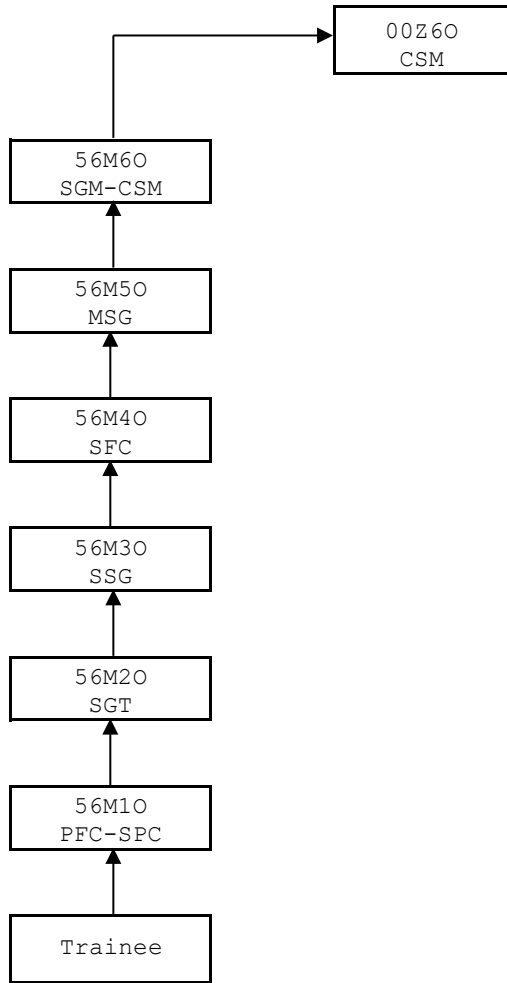
---

---

---

Religious  
Affairs  
Specialist

Command  
Sergeant  
Major  
Nominative



SUBSTITUTABILITY: None.

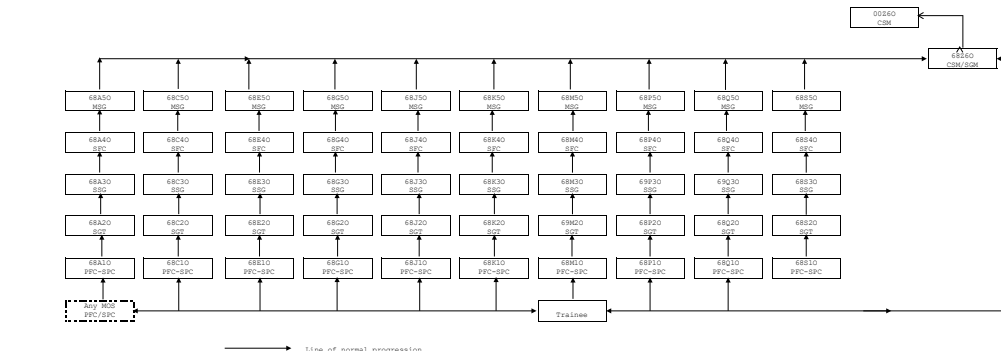
—————> Line of normal progression.

---

Figure 10-56. CMF 56--Religious Support career progression.

---

BIOMEDICAL EQUIPMENT SPECIALIST    PRACTICAL NURSING SPECIALIST    GENERAL SPECIALIST    PATIENT ADMINISTRATION SPECIALIST    MEDICAL LOGISTICS SPECIALIST    MEDICAL LABORATORY SPECIALIST    NUTRITION CARE SPECIALIST    RADIOLOGY SPECIALIST    PHARMACY SPECIALIST    PREVENTIVE MEDICINE SPECIALIST    COMMAND SERGEANT MAJOR (NONMATIVE)    CHIEF MEDICAL NCO    VETERINARY FOOD INSPECTION SPECIALIST    ANIMAL CARE SPECIALIST    OTHOPEDIC SPECIALIST    OPERATING ROOM SPECIALIST    PHYSICAL THERAPY SPECIALIST    OPTICAL LABORATORY SPECIALIST    OCCUPATIONAL THERAPY SPECIALIST    COMBAT MEDIC SPECIALIST    RESPIRATORY SPECIALIST    DERMATOLOGICAL HEALTH SPECIALIST    EYE SPECIALIST



SUBSTITUTABILITY: Any CMC 68 MSG can serve in positions of First Sgt, Operations, Intel/Plans, Eng, IG, BSA, or Detachment Sgt at the MSG and SPC levels only.

Figure 10-6a. CMC 68 - Medical career progression (Effective 202110)

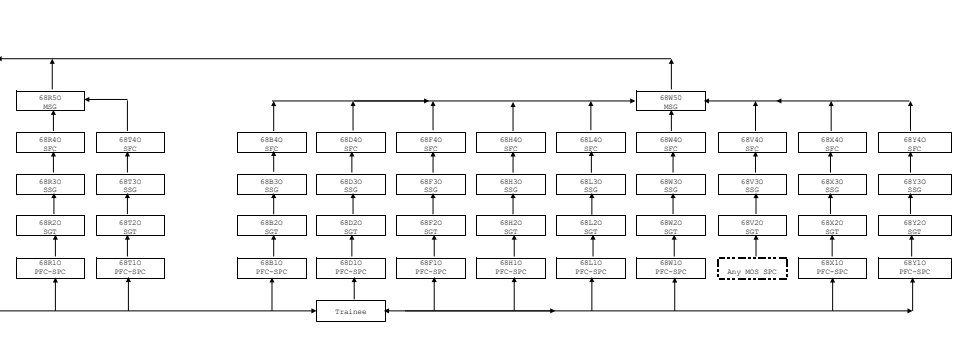
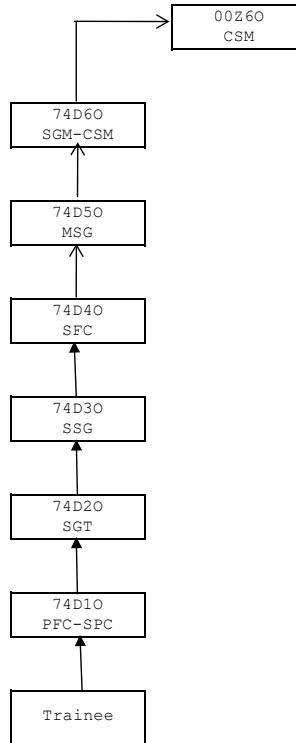


Figure 10-6b. CMC 68 - Medical career progression (Effective 202210)

---

Chemical  
Biological  
Radiological  
and Nuclear  
Specialist

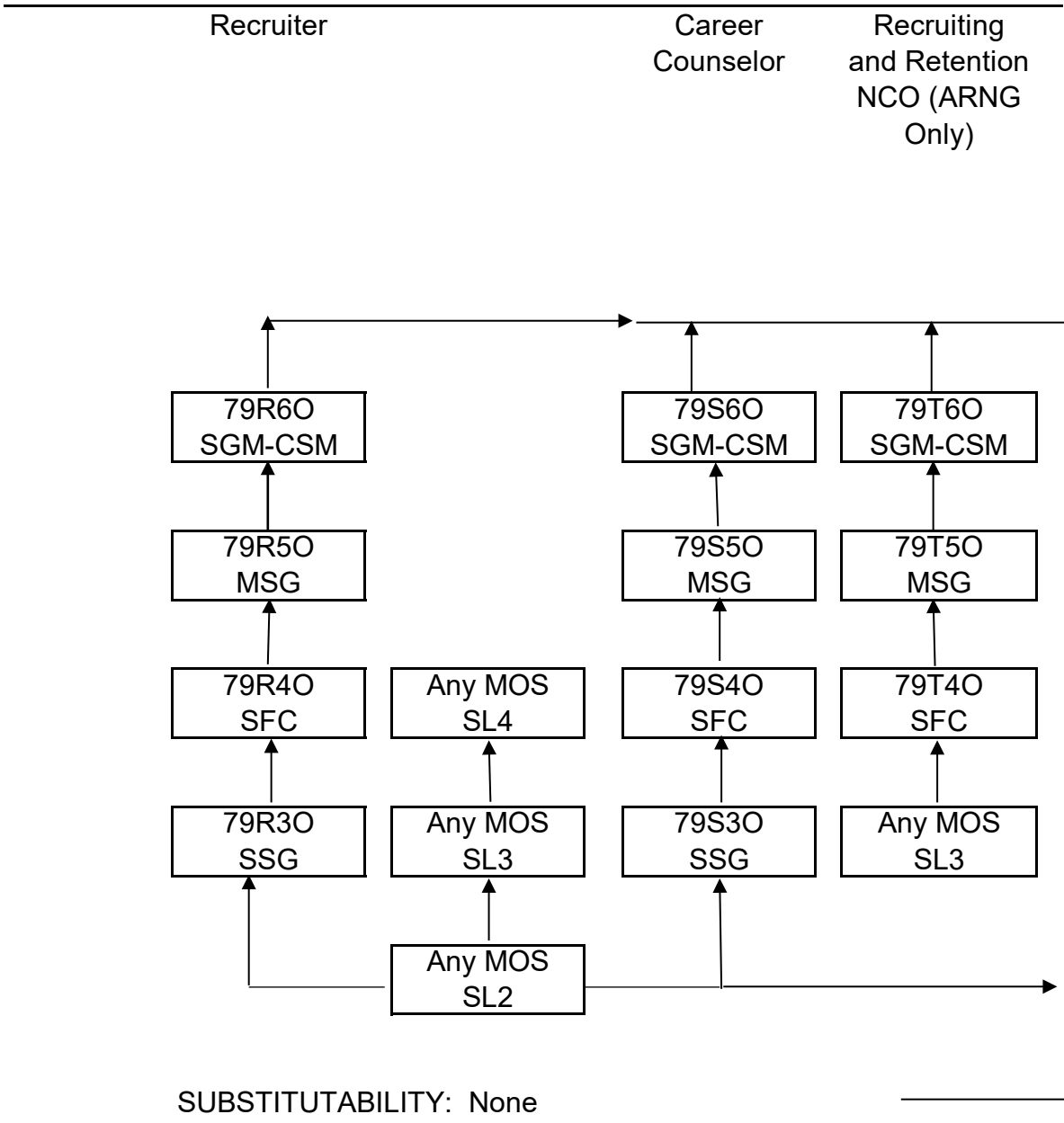
Command  
Sergeant  
Major  
Nominative



SUBSTITUTABILITY: None.

—————> Line of normal progression.

-----  
(Effective 1110)

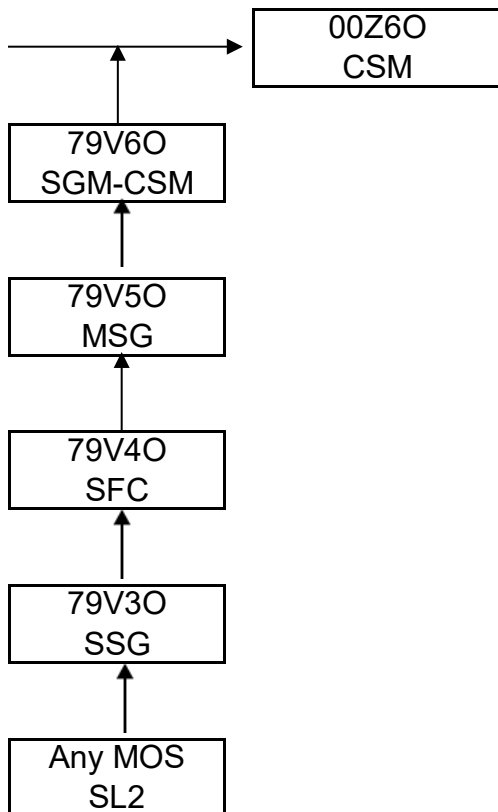


**Figure 10-79. CMF 79 - Recruiting and Retention Career Progression**



---

Army Reserve Career Counselor (Army Reserve)	COMMAND SERGEANT MAJOR (NOMINATIVE)
--	--



➔ Line of normal progression.

**on (Effective 202309)**

---

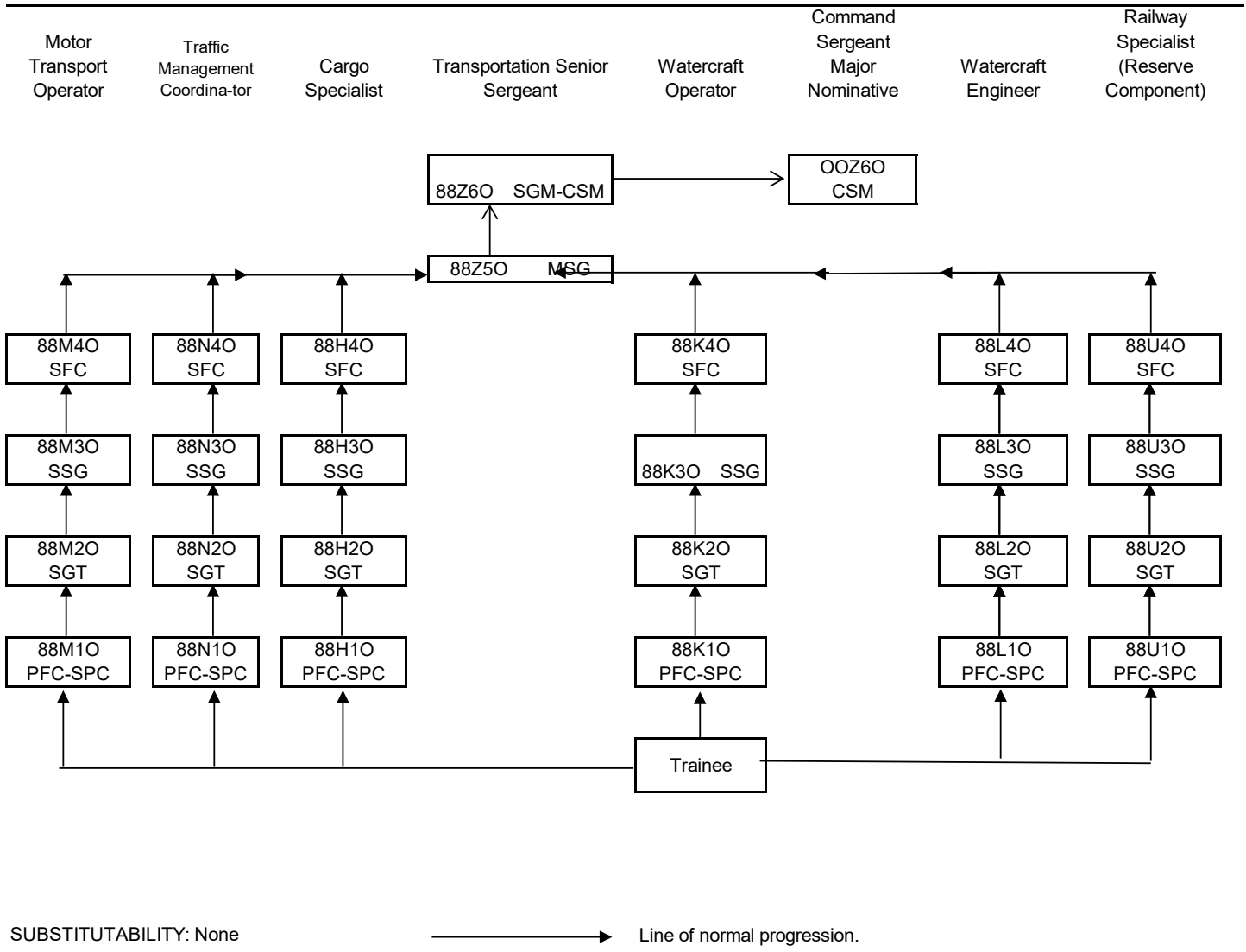
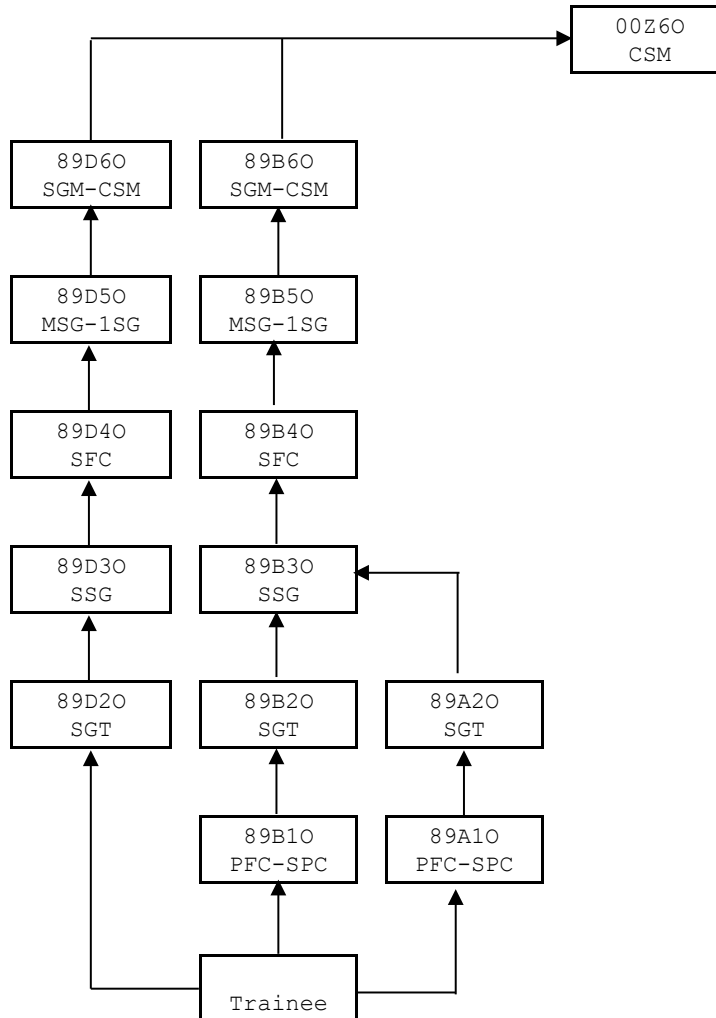


Figure 10-88a. CMF 88 - Transportation career progression (Effective 201610)

Explosive Ordnance Disposal Specialist      Ammunition Specialist      Ammunition Stock Control and Accounting Specialist      Command Sergeant Major Nominative



SUBSTITUTABILITY: Between 89A and 89B at skill level 1 and 2 only, if 89B previously performed Ammunition Stock Control and Accounting Specialist duties prior to October 2007.

→ progression.

Figure 10-89. CMF 89 - Ammunition career progression (Effective 202310)

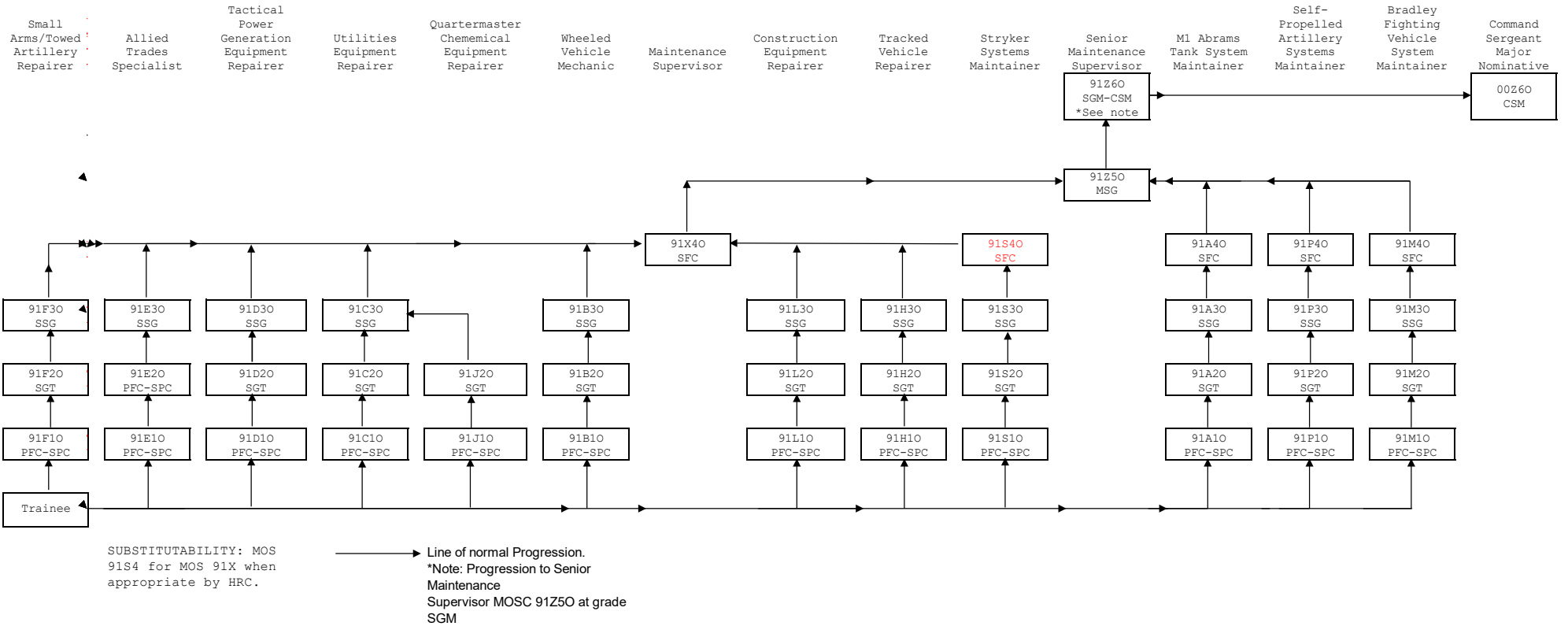


Figure 10-91c. CMF 91--Mechanical Maintenance Career Progression (Effective 2019)

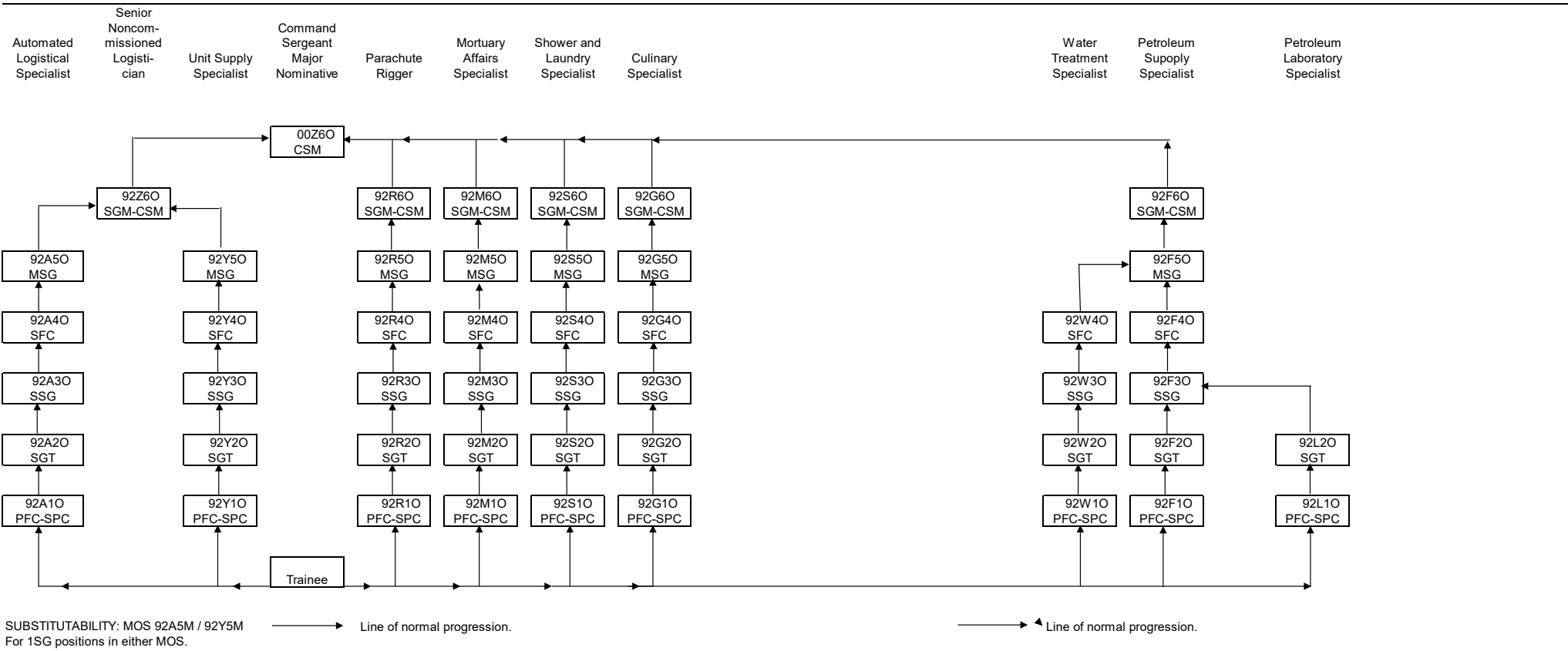


Figure 10-92a. CMF 92 - Supply and Services career progression (Effective 202110)

Figure 10-92b. CMF 92 - Supply and Services career progression (Effective 202110)

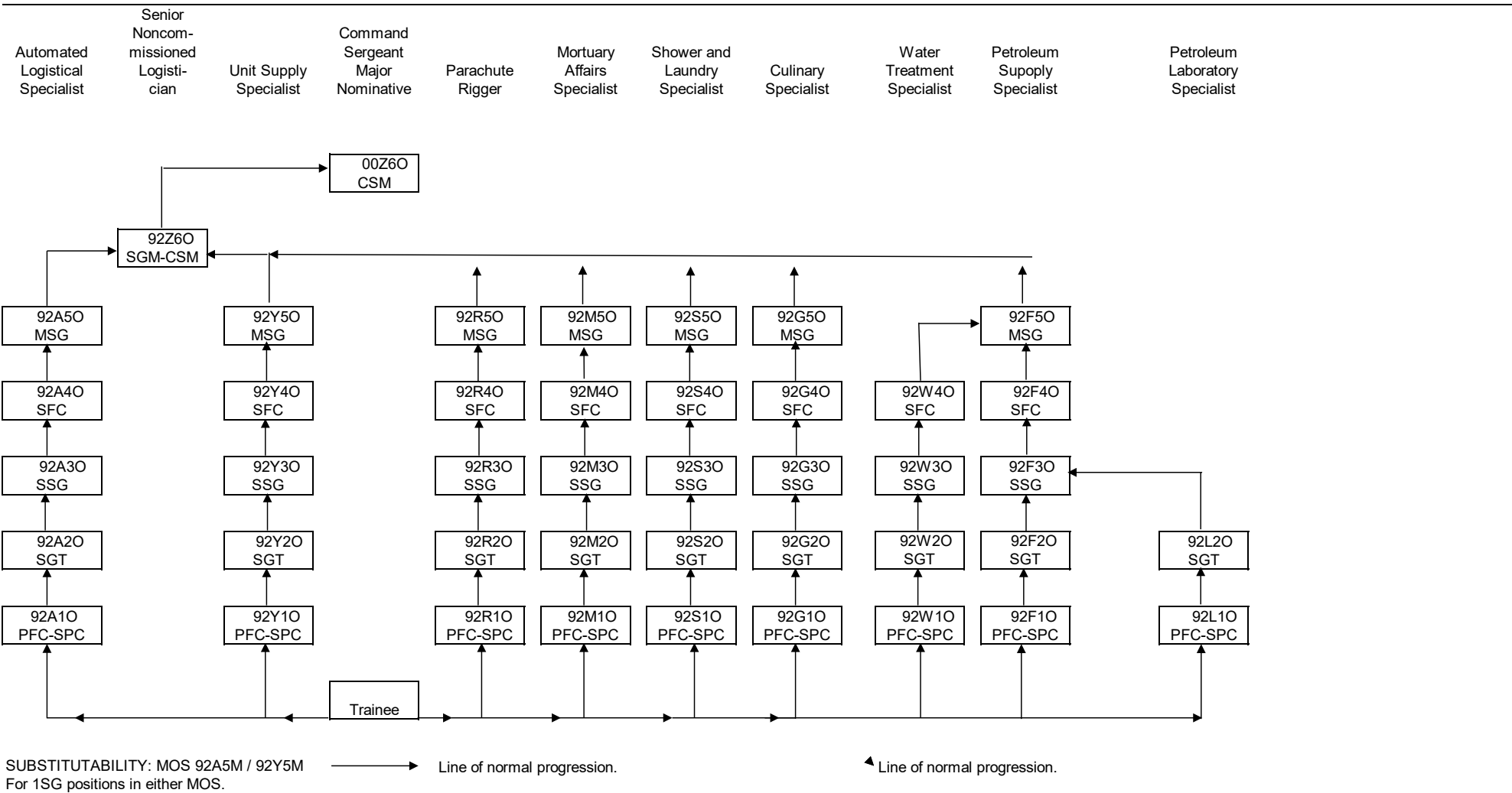


Figure 10-92a. CMF 92 - Supply and Services career progression (Effective 202410)

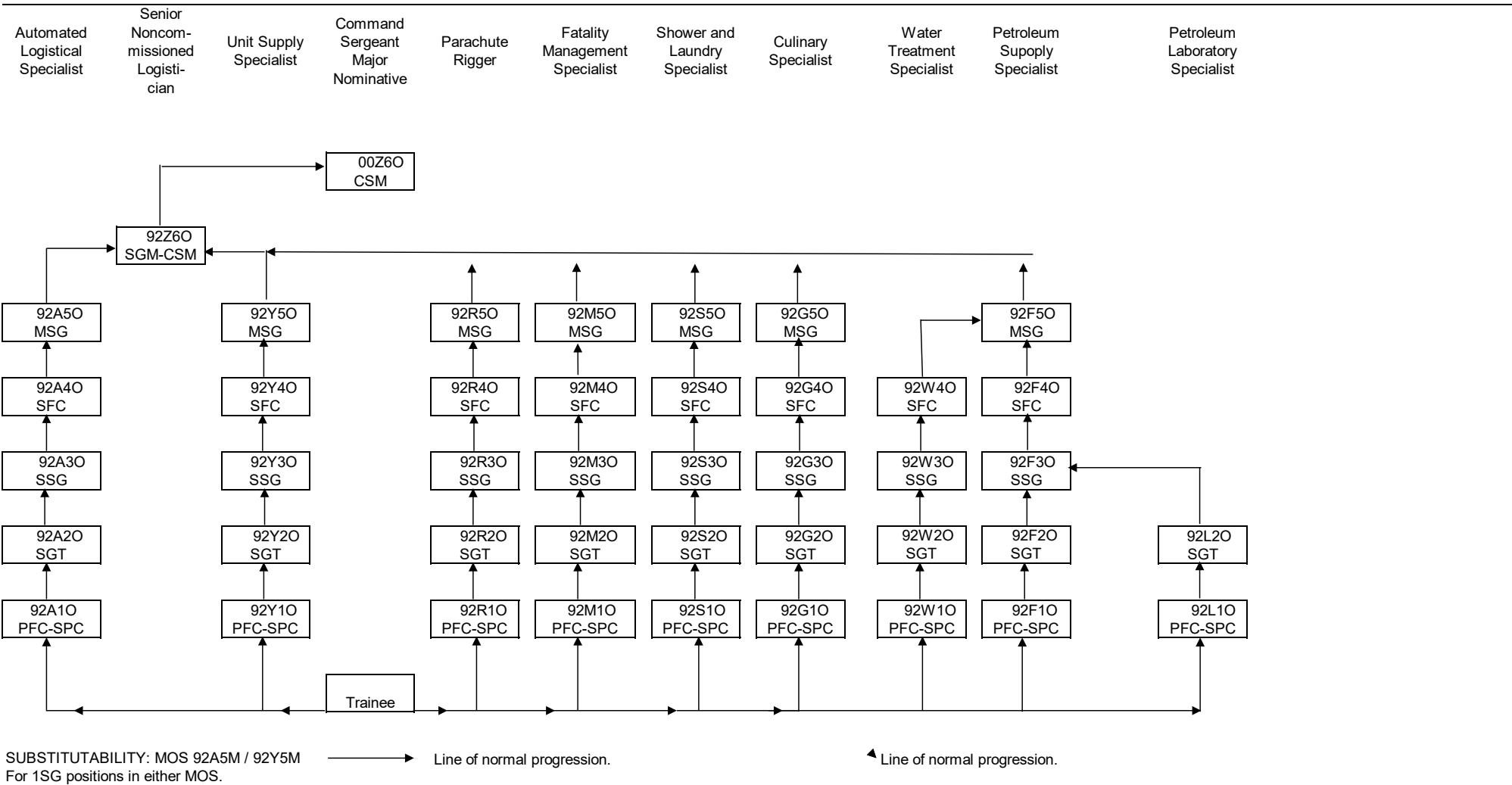


Figure 10-92a. CMF 92 - Supply and Services career progression (Effective 202510)

Land Combat  
Electronic  
Missile System  
Repairer

Radio Equipment  
Repairer

Computer/  
Detection  
Systems Repairer

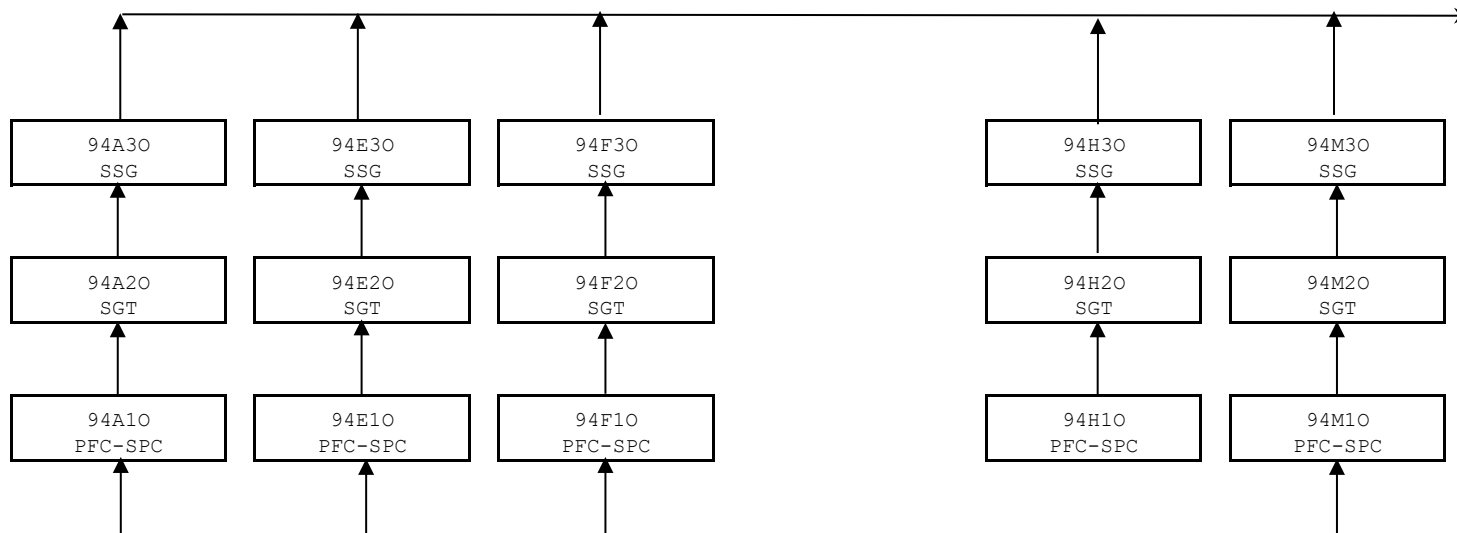
Senior  
Electronic  
Maintenance  
Supervisor

Test Measurement  
and Diagnostic  
Equipment (TMDE)  
Maintenance  
Support  
Specialist

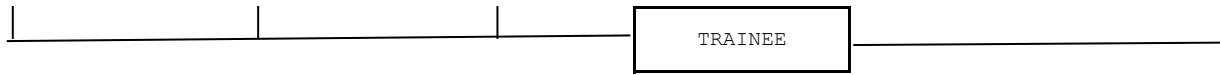
Radar Repairer

94Z60  
SGM-CSM

94Z50  
MSG







SUBSTITUTABILITY: None.

Figure 10-94a. CMF 94 - Electronic Maintenance and Calibr

---

---

Electronic  
Maintenance  
Supervisor

Multiple Launch  
Rocket System  
(MLRS) Repairer

Avionic and  
Survivability  
Equipment  
Repairer

Short Range Air  
Defense System  
Repairer

Automated Test  
Systems (ATS)  
Operator and  
Maintainer

Air Traffic  
Control  
Equipment  
Repairer

---

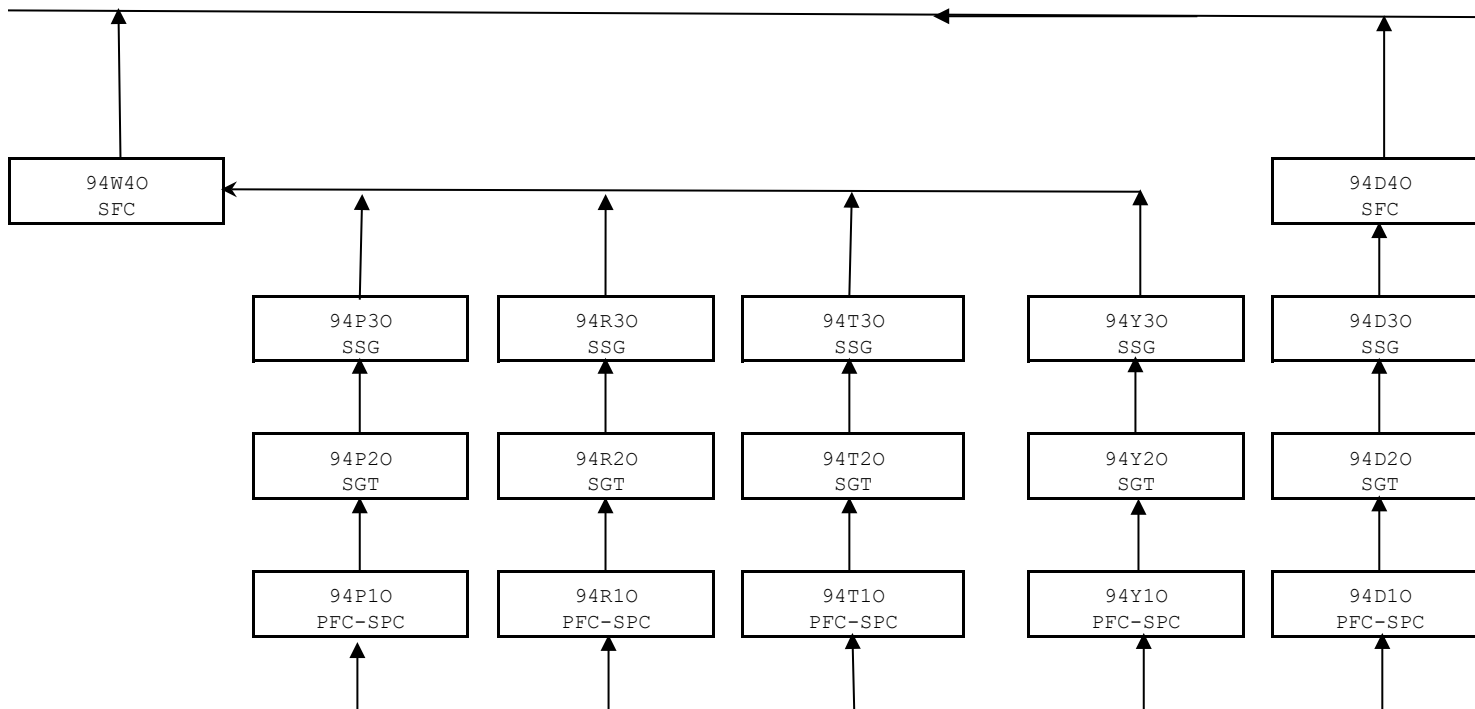




Figure 10-94c. CMF 94 - Electronic Maintenance and Calibration career progression (Effective 20181001)

---