



CMF 68 Progression Chart (1 of 2)

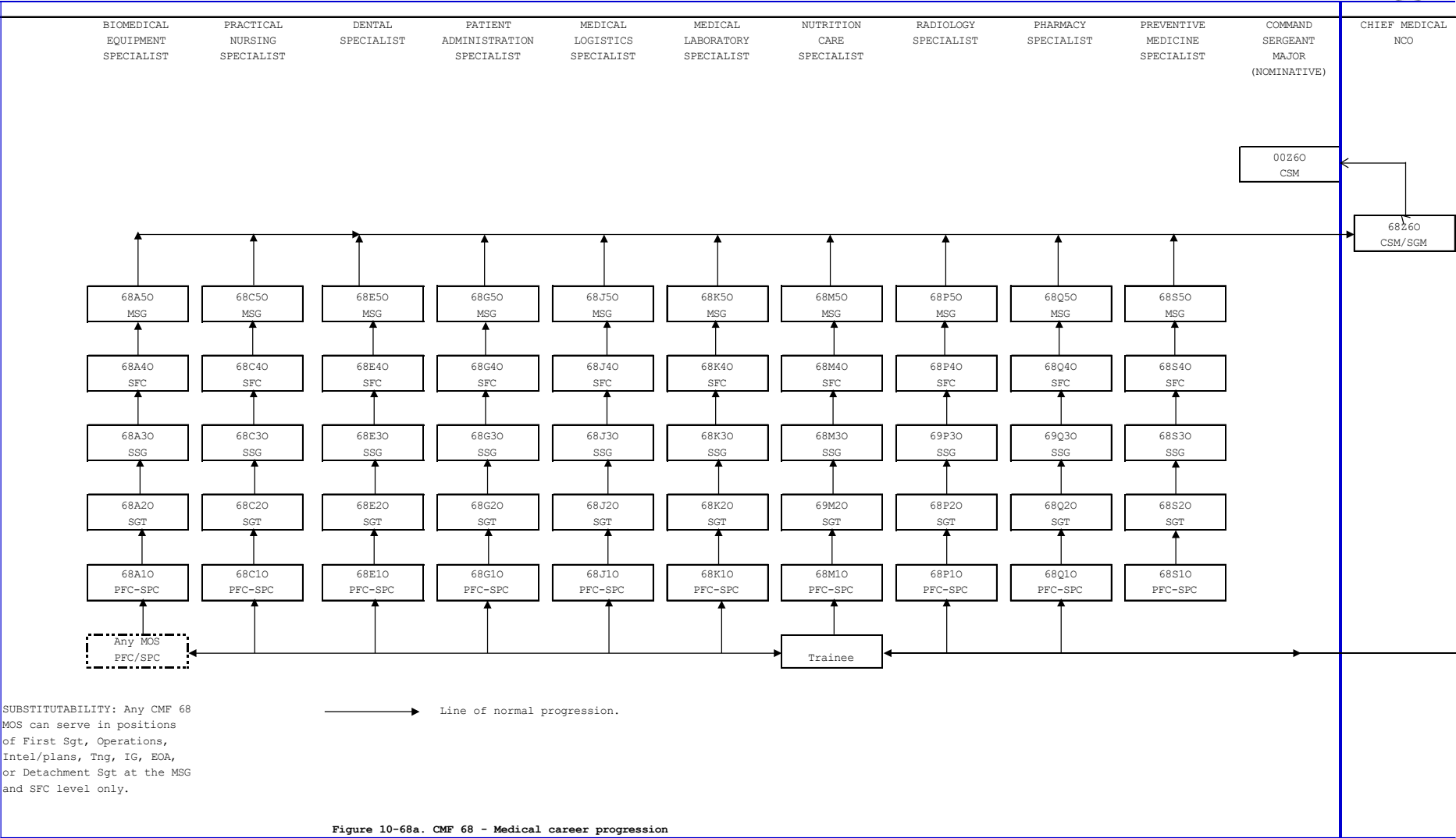


Figure 10-68a. CMF 68 - Medical career progression



U.S. ARMY

CMF 68 Progression Chart (2 of 2)



CHIEF MEDICAL NCO	VETERINARY FOOD INSPECTION SPECIALIST	ANIMAL CARE SPECIALIST	ORTHOPEDIC SPECIALIST	OPERATING ROOM SPECIALIST	PHYSICAL THERAPY SPECIALIST	OPTICAL LABORATORY SPECIALIST	OCCUPATIONAL THERAPY SPECIALIST	COMBAT MEDIC SPECIALIST	CARDIOVASCULAR SPECIALIST	EAR, NOSE & THROAT SPECIALIST	RESPIRATORY SPECIALIST	BEHAVIORAL HEALTH SPECIALIST	EYE SPECIALIST
-------------------	---------------------------------------	------------------------	-----------------------	---------------------------	-----------------------------	-------------------------------	---------------------------------	-------------------------	---------------------------	-------------------------------	------------------------	------------------------------	----------------

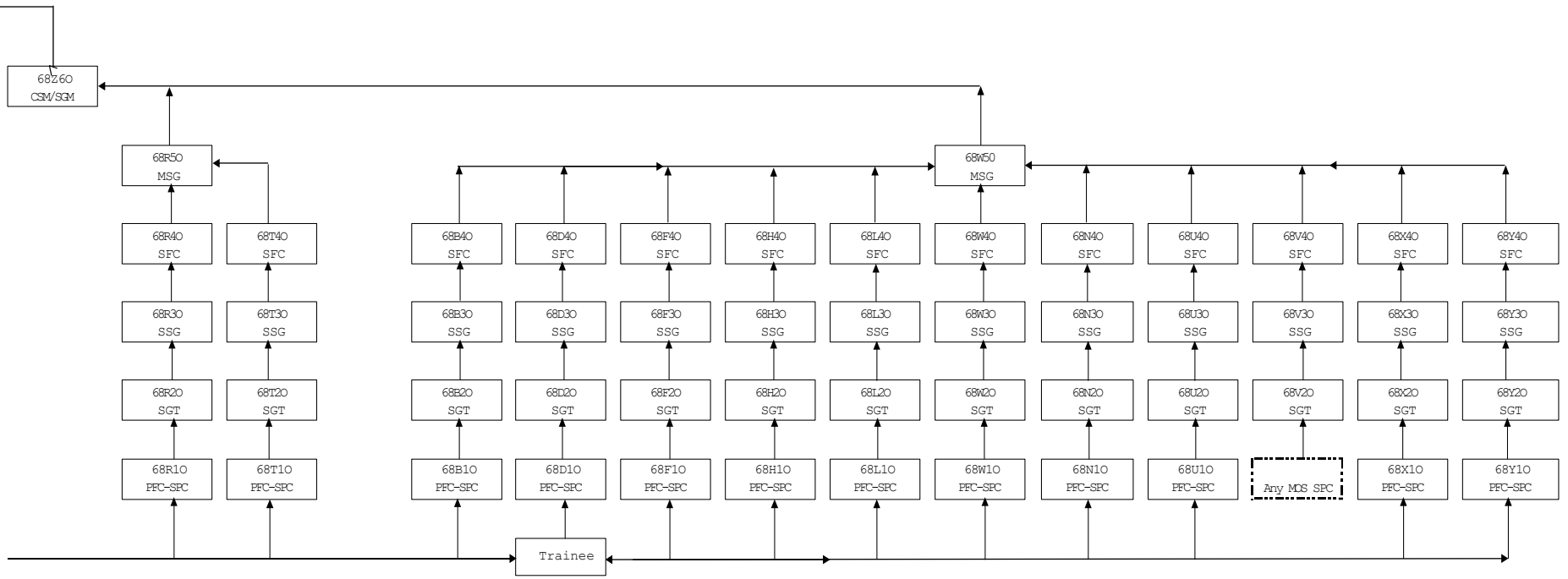
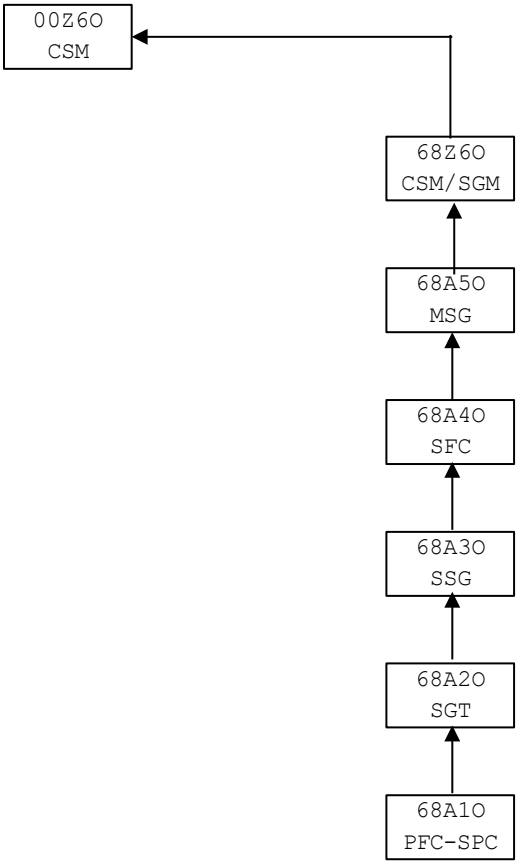


Figure 10-68b. CMF 68 - Medical career progression



U.S.ARMY

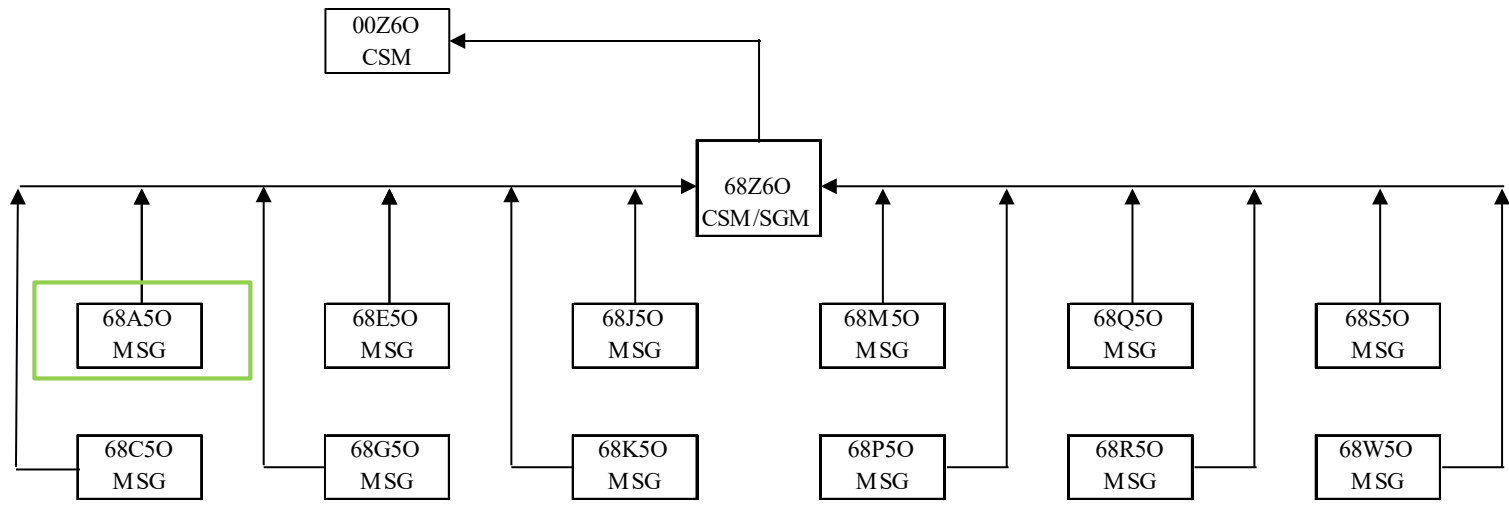
MOS 68A Progression Chart





U.S.ARMY

MOS 68Z Progression Chart





U.S. ARMY

MOS 68A



The Biomedical Equipment Specialist performs maintenance services and repairs on all medical equipment, medical systems, medically related equipment, medically related systems, and network medical equipment.

LEADERSHIP POSITIONS

Most-qualified looks like:

SSG: 18 to 36 months as a Platoon Sergeant, Biomedical Equipment NCO

SFC: 18 to 36 months as a Detachment Sergeant, Senior Biomedical Equipment NCO

MSG: 18 to 36 months as a First Sergeant, Chief Medical NCO, Operations Sergeant Major

CSM/SGM: N/A

Highly qualified looks like:

SSG: Biomedical Equipment Sergeant

SFC: Biomedical Equipment NCO

MSG: Senior Biomedical Equipment NCO

CSM/SGM: N/A



U.S. ARMY

MOS 68A



PHYSICAL FITNESS

Most-qualified looks like:

SSG: 270 or above or received the Army Physical Fitness Badge

SFC: 270 or above or received the Army Physical Fitness Badge

MSG: 270 or above or received the Army Physical Fitness Badge

CSM/SGM: N/A

Highly qualified looks like:

SSG: 240 – 269 on APFT

SFC: 240 – 269 on APFT

MSG: 240 – 269 on APFT

MILITARY/CIVILIAN EDUCATION

Most-qualified looks like:

SSG: Exceeded ALC Course Standards, Leadership Award, Distinguished Honor/Honor Graduate, AA Degree

SFC: Exceeded SLC Course Standards, Leadership Award, Distinguished Honor/Honor Graduate, BS Degree

MSG: Exceeded MLC Course Standards, Leadership Award, Distinguished Honor/Honor Graduate, MS Degree

Highly qualified looks like:

SSG: Exceeded ALC Course Standards, Commandant's List, >30 semester hours of college

SFC: Exceeded SLC Course Standards, Commandant's List, AA Degree

MSG: Exceeded MLC Course Standards, Commandant's List, >90 semester hours of college towards BS Degree



MOS 68A



ASSIGNMENTS (Broadening and Key Developmental)
PROPONENT SPECIFIC CHALLENGING / HIGH RISK

SSG: Instructor Writer, ALC Small Group Leader, WTU Platoon Sergeant, AIT Platoon Sergeant, **Platoon Sergeant**

SFC: Senior Instructor Writer, SLC Small Group Leader, AIT Platoon Sergeant, **Platoon Sergeant, Detachment Sergeant**

MSG: Chief Instructor Writer, Inspector General NCO, **First Sergeant**

CSM/SGM: N/A

Army wide Special Duty Assignments are specific, defined and provided in the Annex to the Board MOI



U.S. ARMY

MOS 68A



TRAINING

Most-qualified looks like:

SSG: EFMB, Certified Biomedical Equipment Technician (CBET)

SFC: EFMB, Certified Biomedical Equipment Technician (CBET)

MSG: EFMB, Certified Biomedical Equipment Technician (CBET)

CSM/SGM: N/A

Highly qualified looks like:

SSG: Air Assault, Airborne, MRT, SHARP, EOL, MFT

SFC: Air Assault, Airborne, MRT, SHARP, EOL, MFT, Battle Staff

MSG: Air Assault, Airborne, MRT, MFT, Battle Staff

CSM/SGM: N/A

OTHER INDICATORS

Most-qualified looks like:

SSG: Active Audie Murphy or SGT Morales Club Member, awarded MOVSM for volunteer service, Army Best Medic Competitor, NCO of the Quarter/Year **(all annotated on NCOER)**

SFC: Active Audie Murphy or SGT Morales Club Member, awarded MOVSM for volunteer service, Army Best Medic Competitor, NCO of the Quarter/Year **(all annotated on NCOER)**

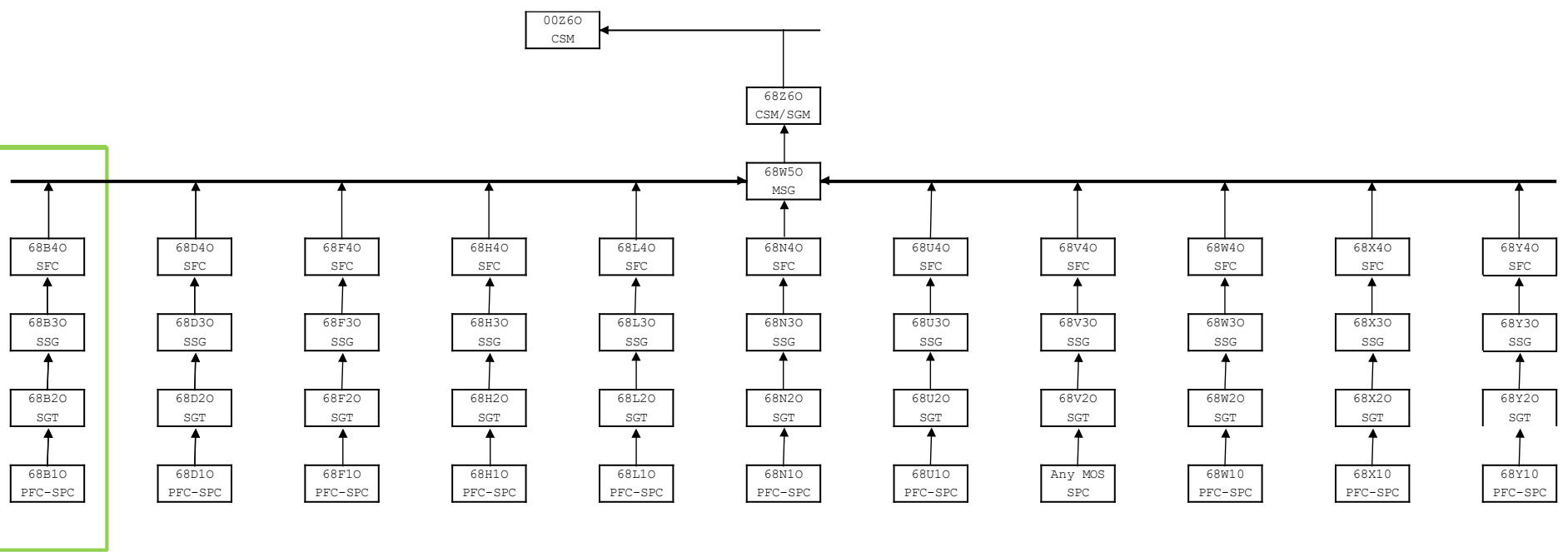
MSG: Award of the Order of Military Medical Merit (Regimental Award), Other Regimental Awards **(annotated on NCOER)**

CSM/SGM: N/A



U.S. ARMY

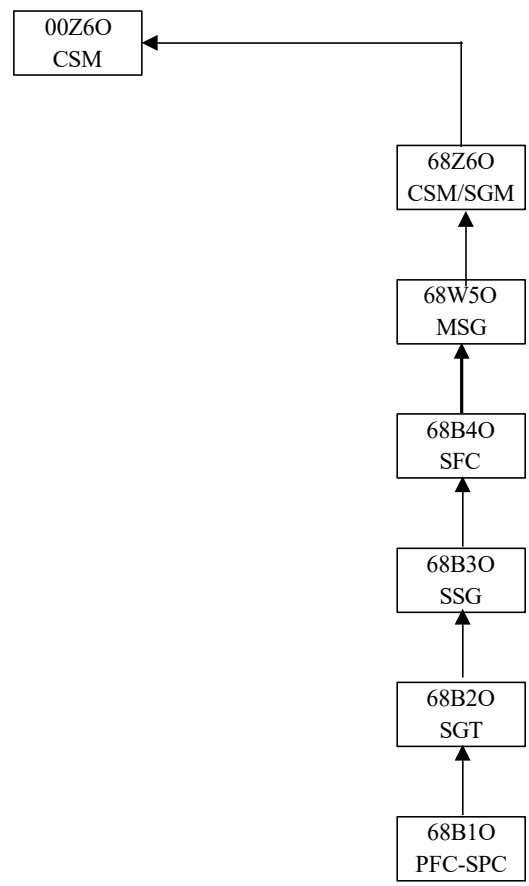
MOS 68B Progression Chart





U.S.ARMY

MOS 68B Progression Chart





U.S.ARMY

MOS 68B



The Orthopedic Specialist assists with management of orthopedic clinic, or assists in treatment of patients with orthopedic conditions and injuries, under the supervision of an orthopedic physician, orthopedic physician assistant, or podiatrist.

LEADERSHIP POSITIONS

Most-qualified looks like:

- SSG: 18 to 36 months as a Platoon Sergeant, Orthopedic NCO
- SFC: 18 to 36 months as a Platoon Sergeant, Detachment Sergeant, First Sergeant
- MSG: N/A

Highly qualified looks like:

- SSG: Orthopedic SGT
- SFC: Orthopedic NCO
- MSG: N/A



U.S. ARMY

MOS 68B



PHYSICAL FITNESS

Most-qualified looks like:

SSG: 270 or above or received the Army Physical Fitness Badge

SFC: 270 or above or received the Army Physical Fitness Badge

MSG: N/A

Highly qualified looks like:

SSG: 240 – 269 on APFT

SFC: 240 – 269 on APFT

MSG: N/A

MILITARY/CIVILIAN EDUCATION

Most-qualified looks like:

SSG: Exceeded ALC Course Standards, Leadership Award, Distinguished Honor/Honor Graduate, AA Degree

SFC: Exceeded SLC Course Standards, Leadership Award, Distinguished Honor/Honor Graduate, BS Degree

MSG: N/A

Highly qualified looks like:

SSG: Exceeded ALC Course Standards, Commandant's List, >30 semester hours of college

SFC: Exceeded SLC Course Standards, Commandant's List, AA Degree

MSG: N/A



MOS 68B



ASSIGNMENTS (Broadening and Key Developmental)
PROPONENT SPECIFIC CHALLENGING / HIGH RISK

SSG: Instructor/Writer, ALC Small Group Leader, Platoon Sergeant

SFC: Senior Training Developer/Writer, SLC Small Group Leader, Detachment Sergeant, First Sergeant

MSG: N/A

Army wide Special Duty Assignments are specific, defined and provided in the Annex to the Board MOI



MOS 68B



TRAINING

Most-qualified looks like:

SSG: EFMB, Orthopedic Technologist – Certified (OTC)

SFC: EFMB, Orthopedic Technologist – Certified (OTC)

MSG: N/A

Highly qualified looks like:

SSG: Air Assault, Airborne, MRT, SHARP, EOL, MFT

SFC: Air Assault, Airborne, MRT, SHARP, EOL, MFT, Battle Staff

MSG: N/A

OTHER INDICATORS

Most-qualified looks like:

SSG: Active Audie Murphy or SGT Morales Club Member, awarded MOVSM for volunteer service, Army Best Medic Competitor, NCO of the Quarter/Year (**all annotated on NCOER**)

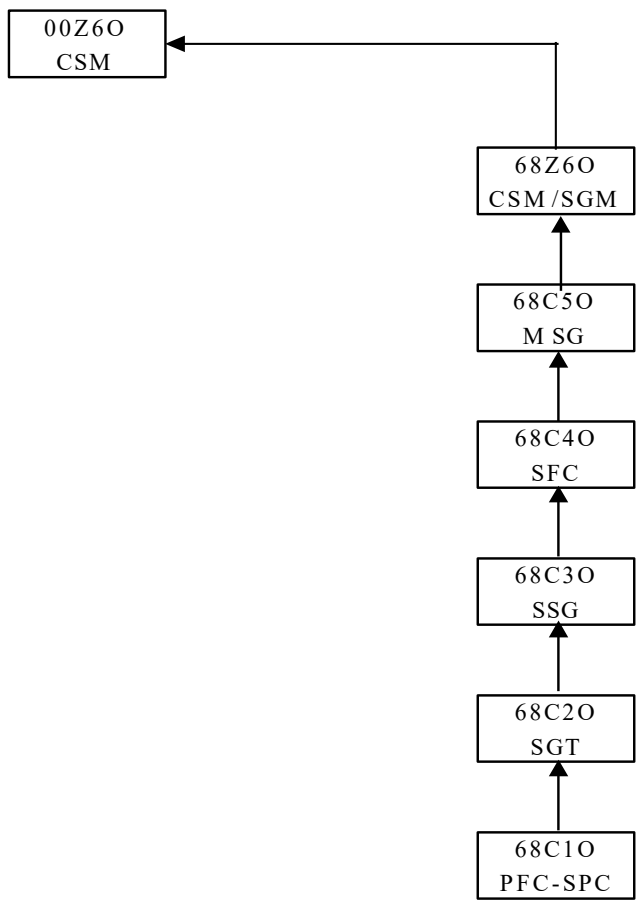
SFC: Active Audie Murphy or SGT Morales Club Member, awarded MOVSM for volunteer service, Army Best Medic Competitor, NCO of the Quarter/Year (**all annotated on NCOER**)

MSG: N/A



U.S.ARMY

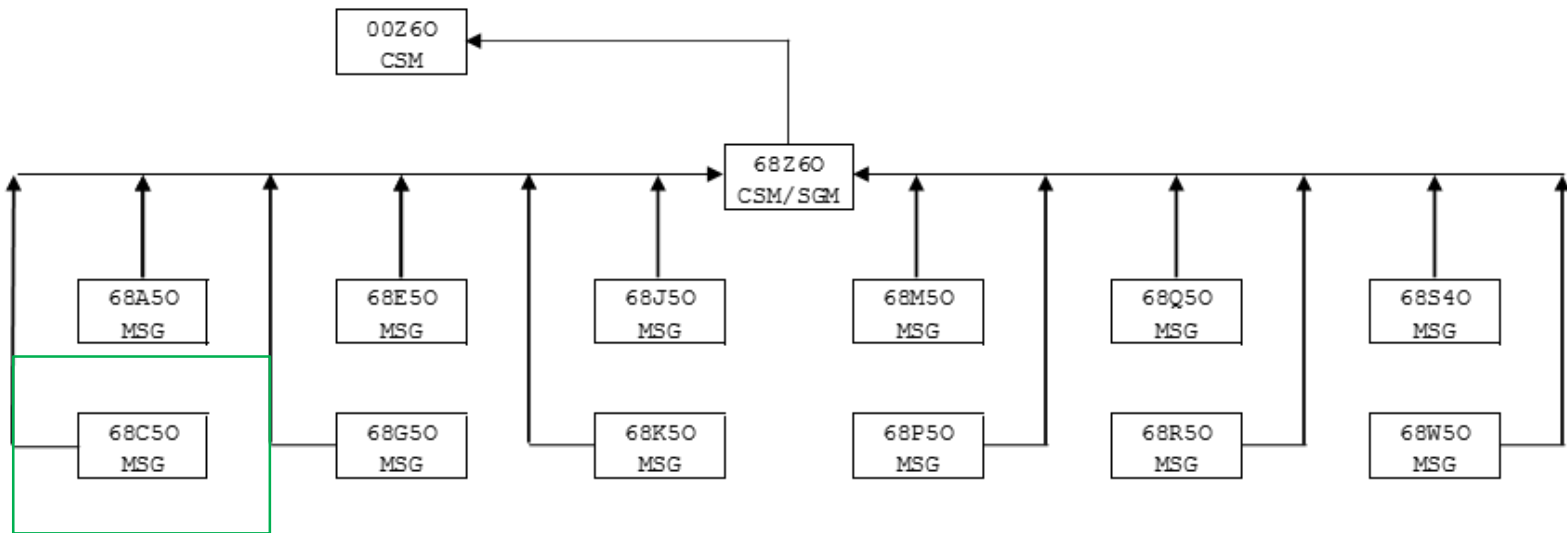
MOS 68C Progression Chart





U.S.ARMY

MOS 68Z Progression Chart





U.S. ARMY

MOS 68C



The Practical Nursing Specialist supervises or performs preventive, therapeutic, and emergency nursing care procedures under supervision of a physician, or nurse.

LEADERSHIP POSITIONS

Most-qualified looks like:

SSG: 18 to 36 months as a Detachment Sergeant, Platoon Sergeant, Wardmaster

SFC: 18 to 36 months as a Detachment Sergeant, First Sergeant, Senior Practical Nurse NCO

MSG: 18 to 36 months as a First Sergeant, Chief Medical NCO, Operations SGM

CSM/SGM: N/A

Highly qualified looks like:

SSG: Practical Nurse SGT, Renal Dialysis SGT

SFC: Wardmaster, Renal Dialysis NCO

MSG: Senior Practical Nurse NCO

CSM/SGM: N/A



U.S. ARMY

MOS 68C



PHYSICAL FITNESS

Most-qualified looks like:

SSG: 270 or above or received the Army Physical Fitness Badge
SFC: 270 or above or received the Army Physical Fitness Badge
MSG: 270 or above or received the Army Physical Fitness Badge
CSM/SGM: N/A

Highly qualified looks like:

SSG: 240 – 269 on APFT
SFC: 240 – 269 on APFT
MSG: 240 – 269 on APFT

MILITARY/CIVILIAN EDUCATION

Most-qualified looks like:

SSG: Exceeded ALC Course Standards, Leadership Award, Distinguished Honor/Honor Graduate, AA Degree
SFC: Exceeded SLC Course Standards, Leadership Award, Distinguished Honor/Honor Graduate, BS Degree
MSG: Exceeded MLC Course Standards, Leadership Award, Distinguished Honor/Honor Graduate, MS Degree

Highly qualified looks like:

SSG: Exceeded ALC Course Standards, Commandant's List, >30 semester hours of college
SFC: Exceeded SLC Course Standards, Commandant's List, AA Degree
MSG: Exceeded MLC Course Standards, Commandant's List, >90 semester hours of college towards BS Degree



MOS 68C



ASSIGNMENTS (Broadening and Key Developmental)
PROPONENT SPECIFIC CHALLENGING / HIGH RISK

SSG: Instructor/Writer, ALC Small Group Leader, AIT Platoon Sergeant, Training Developer/Writer, **Platoon Sergeant**

SFC: Instructor/Writer, SLC Small Group Leader, AIT Platoon Sergeant, **Platoon Sergeant, Detachment Sergeant**

MSG: Chief Instructor/Writer, Senior Training Developer/Writer, Inspector General NCO, **First Sergeant**

CSM/SGM: N/A

Army wide Special Duty Assignments are specific, defined and provided in the Annex to the Board MOI



MOS 68C



TRAINING

Most-qualified looks like:

SSG: EFMB, Advanced Cardiac Life Support, Pediatric Advanced Life Support Certifications
SFC: EFMB, Advanced Cardiac Life Support, Pediatric Advanced Life Support Certifications
MSG: EFMB, Advanced Cardiac Life Support, Pediatric Advanced Life Support Certifications
CSM/SGM: N/A

Highly qualified looks like:

SSG: Air Assault, Airborne, MRT, SHARP, EOL, MFT
SFC: Air Assault, Airborne, MRT, SHARP, EOL, MFT, Battle Staff
MSG: Air Assault, Airborne, MRT, MFT, Battle Staff
CSM/SGM: N/A

OTHER INDICATORS

Most-qualified looks like:

SSG: Active Audie Murphy or SGT Morales Club Member, awarded MOVSM for volunteer service, Army Best Medic Competitor, NCO of the Quarter/Year (**all annotated on NCOER**)

SFC: Active Audie Murphy or SGT Morales Club Member, awarded MOVSM for volunteer service, Army Best Medic Competitor, NCO of the Quarter/Year (**all annotated on NCOER**)

MSG: Award of the Order of Military Medical Merit (Regimental Award), Other Regimental Awards (**annotated on NCOER**)



U.S. ARMY

MOS 68C



FULLY-QUALIFIED (MANDATORY)

Established requirements from Federal/ DoD/Legislative Authorities

SSG: Licensed Practical Nurse Certification, National Council of State Boards of Nursing (NCSBN)

SFC: Licensed Practical Nurse Certification, National Council of State Boards of Nursing (NCSBN)

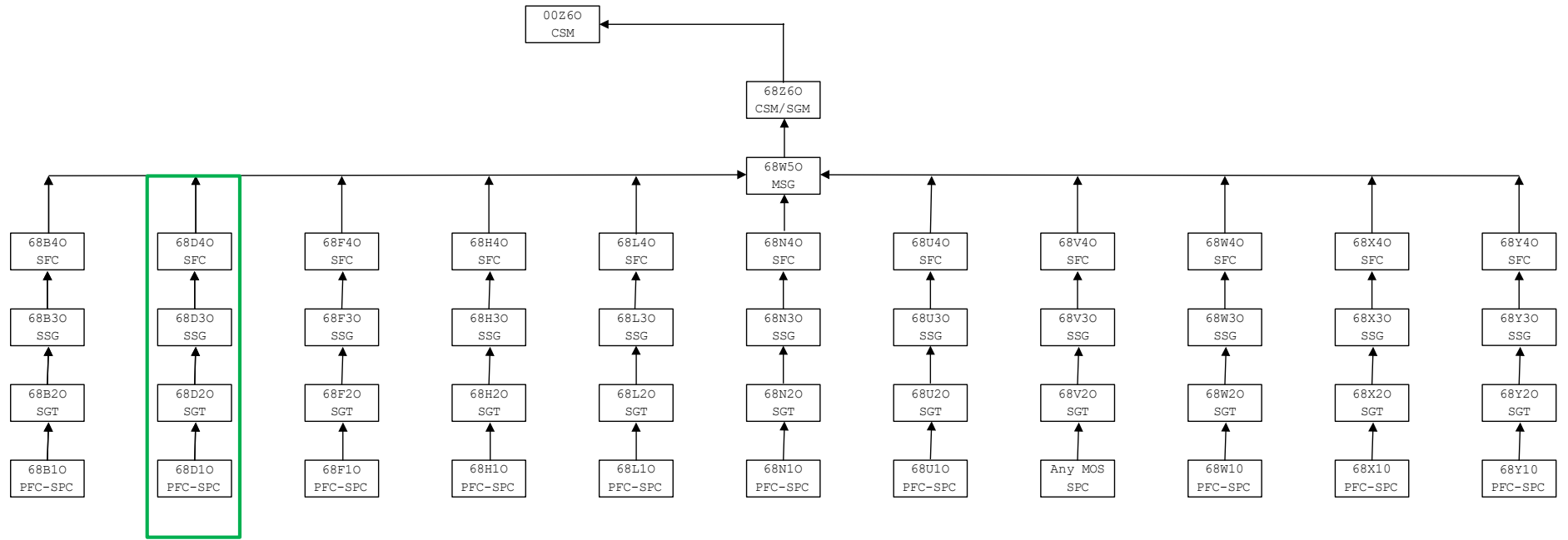
MSG: Licensed Practical Nurse Certification, National Council of State Boards of Nursing (NCSBN)

CSM/SGM: N/A



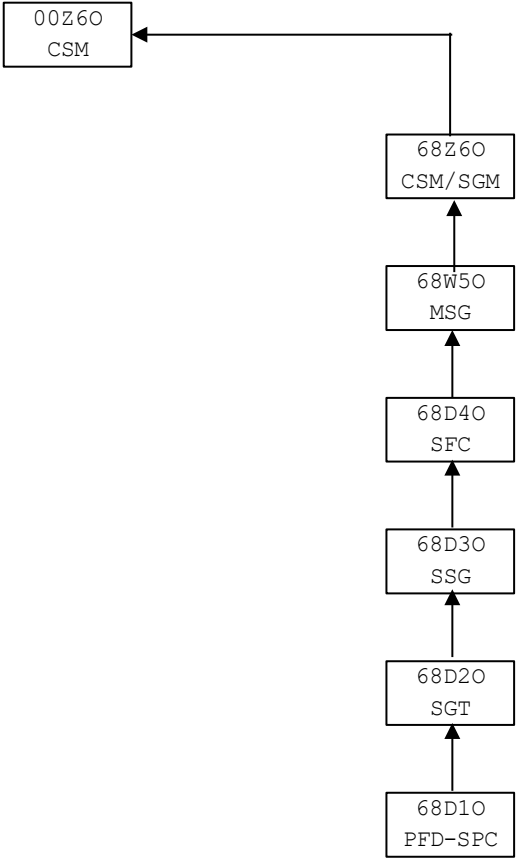
U.S.ARMY

MOS 68D Progression Chart





MOS 68D Progression Chart





U.S. ARMY

MOS 68D



The operating room specialist assists the nursing staff in preparing the patient and the operating room (OR) environment for surgery and for providing assistance to the medical staff during surgical procedures. They also operate the centralized material service (CMS) and are responsible for preparing and maintaining sterile medical supplies and special equipment for medical treatment facilities. The operating room specialist also assists in the management of operating room suites.

LEADERSHIP POSITIONS

Most-qualified looks like:

SSG: 18 to 36 months as a Platoon Sergeant, Detachment Sergeant, Senior Operating Room NCO

SFC: 18 to 36 months as a Detachment Sergeant, First Sergeant

MSG: N/A

Highly qualified looks like:

SSG: Operating Room NCO

SFC: Senior Operating Room NCO

MSG: N/A



MOS 68D



PHYSICAL FITNESS

Most-qualified looks like:

SSG: 270 or above or received the Army Physical Fitness Badge

SFC: 270 or above or received the Army Physical Fitness Badge

MSG: N/A

Highly qualified looks like:

SSG: 240 – 269 on APFT

SFC: 240 – 269 on APFT

MSG: N/A

MILITARY/CIVILIAN EDUCATION

Most-qualified looks like:

SSG: Exceeded ALC Course Standards, Leadership Award, Distinguished Honor/Honor Graduate, AA Degree

SFC: Exceeded SLC Course Standards, Leadership Award, Distinguished Honor/Honor Graduate, BS Degree

MSG: N/A

Highly qualified looks like:

SSG: Exceeded ALC Course Standards, Commandant's List, >30 semester hours of college

SFC: Exceeded SLC Course Standards, Commandant's List, AA Degree

MSG: N/A



MOS 68D



ASSIGNMENTS (Broadening and Key Developmental)
PROPONENT SPECIFIC CHALLENGING / HIGH RISK

SSG: Instructor Writer, ALC Small Group Leader, AIT Platoon Sergeant, **Platoon Sergeant**

SFC: Senior Training Developer/Writer, Instructor/Writer, SLC Small Group Leader, AIT Platoon Sergeant, **Detachment Sergeant, First Sergeant**

MSG: N/A

Army wide Special Duty Assignments are specific, defined and provided in the Annex to the Board MOI



U.S. ARMY

MOS 68D



TRAINING

Most-qualified looks like:

SSG: EFMB, Certified Surgical Technologist (CST)

SFC: EFMB, Certified Surgical Technologist (CST)

MSG: N/A

Highly qualified looks like:

SSG: Air Assault, Airborne, MRT, SHARP, EOL, MFT

SFC: Air Assault, Airborne, MRT, SHARP, EOL, MFT, Battle Staff

MSG: N/A

OTHER INDICATORS

Most-qualified looks like:

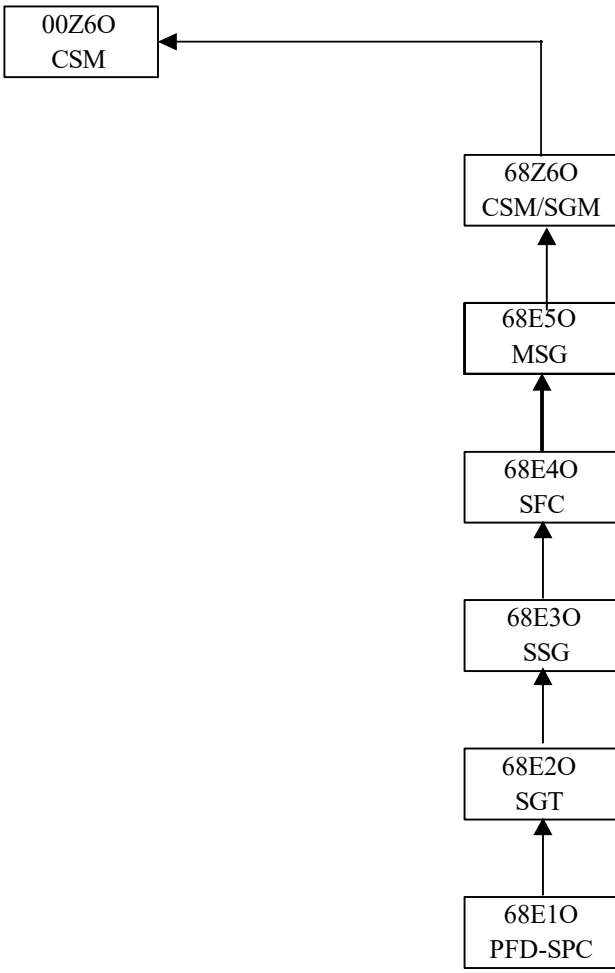
SSG: Active Audie Murphy or SGT Morales Club Member, awarded MOVSM for volunteer service, Army Best Medic Competitor, NCO of the Quarter/Year (**all annotated on NCOER**)

SFC: Active Audie Murphy or SGT Morales Club Member, awarded MOVSM for volunteer service, Army Best Medic Competitor, NCO of the Quarter/Year (**all annotated on NCOER**)

MSG: N/A



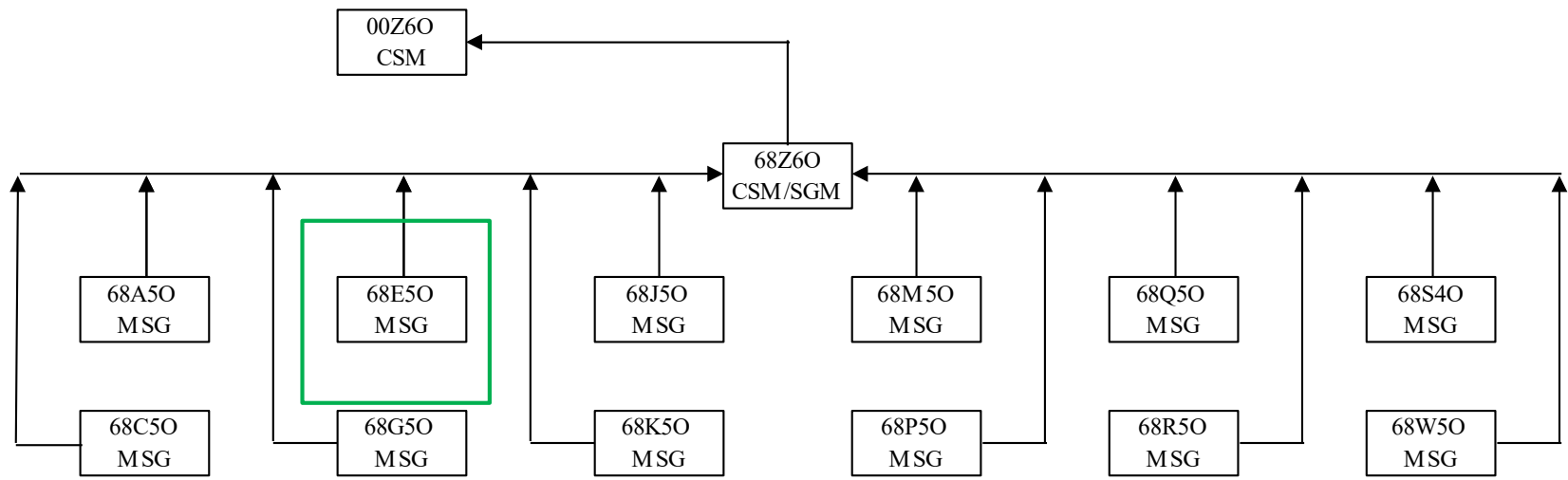
MOS 68E Progression Chart





U.S. ARMY

MOS 68Z Progression Chart





MOS 68E



The Dental Specialist assists the dental officer in prevention, examination, and treatment of diseases of teeth and oral region, or assists with the management of dental treatment facilities.

LEADERSHIP POSITIONS

Most-qualified looks like:

- SSG: 18 to 36 months as a Platoon Sergeant, Dental NCO
- SFC: 18 to 36 months as a Detachment Sergeant, First Sergeant, Senior Dental NCO
- MSG: 18 to 36 months as a First Sergeant, Chief Medical NCO, Operations Sergeant Major
- CSM/SGM: N/A

Highly qualified looks like:

- SSG: Senior Dental Sergeant
- SFC: Dental NCO
- MSG: First Sergeant, Senior Dental NCO
- CSM/SGM: N/A



MOS 68E



PHYSICAL FITNESS

Most-qualified looks like:

- SSG: 270 or above or received the Army Physical Fitness Badge
- SFC: 270 or above or received the Army Physical Fitness Badge
- MSG: 270 or above or received the Army Physical Fitness Badge
- CSM/SGM: N/A

Highly qualified looks like:

- SSG: 240 – 269 on APFT
- SFC: 240 – 269 on APFT
- MSG: 240 – 269 on APFT

MILITARY/CIVILIAN EDUCATION

Most-qualified looks like:

- SSG: Exceeded ALC Course Standards, Leadership Award, Distinguished Honor/Honor Graduate, AA Degree
- SFC: Exceeded SLC Course Standards, Leadership Award, Distinguished Honor/Honor Graduate, BS Degree
- MSG: Exceeded MLC Course Standards, Leadership Award, Distinguished Honor/Honor Graduate, MS Degree

Highly qualified looks like:

- SSG: Exceeded ALC Course Standards, Commandant's List, >30 semester hours of college
- SFC: Exceeded SLC Course Standards, Commandant's List, AA Degree
- MSG: Exceeded MLC Course Standards, Commandant's List, >90 semester hours of college towards BS Degree



MOS 68E



ASSIGNMENTS (Broadening and Key Developmental)
PROPONENT SPECIFIC CHALLENGING / HIGH RISK

SSG: Instructor Writer, ALC Small Group Leader, AIT Platoon Sergeant, **Platoon Sergeant**

SFC: Senior Instructor Writer, SLC Small Group Leader, AIT Platoon Sergeant, **Operations NCO, Detachment Sergeant, First Sergeant**

MSG: Chief Instructor Writer, Inspector General NCO, **First Sergeant**

CSM/SGM: N/A

Army wide Special Duty Assignments are specific, defined and provided in the Annex to the Board MOI



U.S. ARMY

MOS 68E



TRAINING

Most-qualified looks like:

SSG: EFMB, Registered Dental Assistant (RDA)

SFC: EFMB, Registered Dental Assistant (RDA)

MSG: EFMB, Registered Dental Assistant (RDA)

CSM/SGM: N/A

Highly qualified looks like:

SSG: Air Assault, Airborne, MRT, SHARP, EOL, MFT

SFC: Air Assault, Airborne, MRT, SHARP, EOL, MFT, Battle Staff

MSG: Air Assault, Airborne, MRT, MFT, Battle Staff

OTHER INDICATORS

Most-qualified looks like:

SSG: Active Audie Murphy or SGT Morales Club Member, awarded MOVSM for volunteer service, Army Best Medic Competitor, NCO of the Quarter/Year **(all annotated on NCOER)**

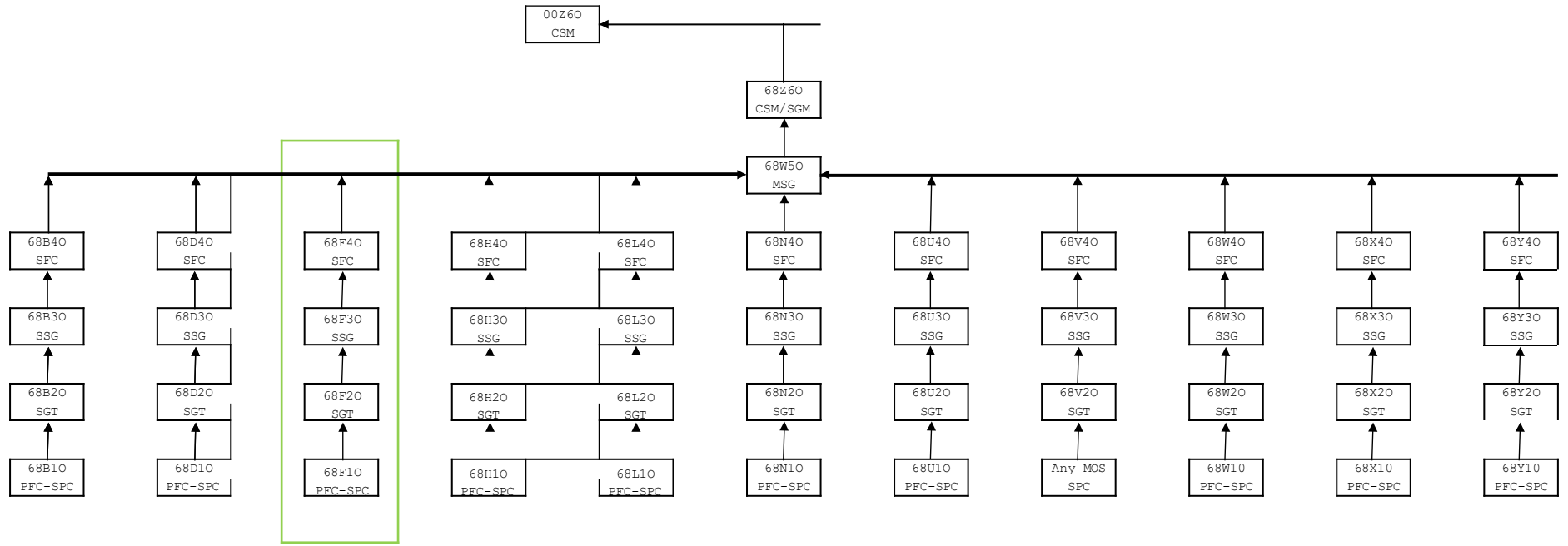
SFC: Active Audie Murphy or SGT Morales Club Member, awarded MOVSM for volunteer service, Army Best Medic Competitor, NCO of the Quarter/Year **(all annotated on NCOER)**

MSG: Award of the Order of Military Medical Merit (Regimental Award), Other Regimental Awards **(annotated on NCOER)**



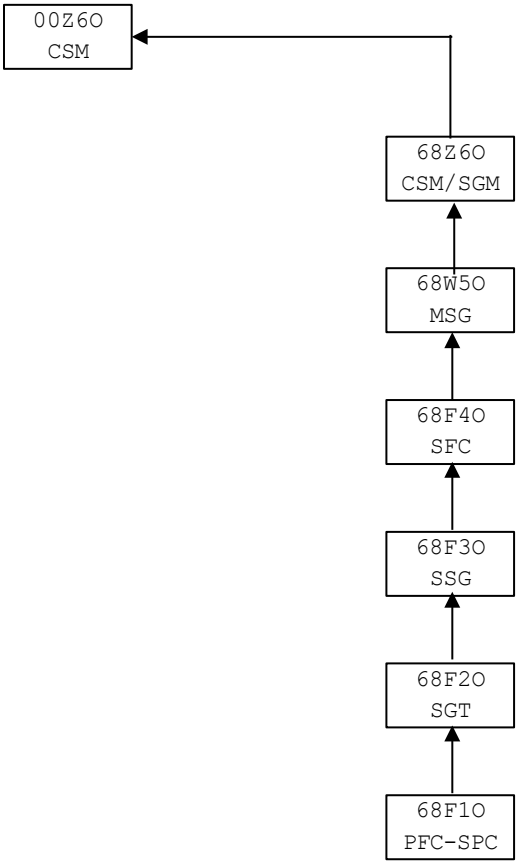
U.S. ARMY

MOS 68F Progression Chart





MOS 68F Progression Chart





U.S.ARMY

MOS 68F



The Physical Therapy Specialist, under the direction of a physical therapist and following medical referral, supervises or administers physical therapy to decrease physical disabilities and promotes physical fitness of patients.

LEADERSHIP POSITIONS

Most-qualified looks like:

SSG: 18 to 36 months as a Platoon Sergeant, Physical Therapy NCO

SFC: 18 to 36 months as a Platoon Sergeant, Detachment Sergeant, First Sergeant

MSG: N/A

Highly qualified looks like:

SSG: Physical Therapy SGT

SFC: Physical Therapy NCO

MSG: N/A



MOS 68F



PHYSICAL FITNESS

Best-qualified looks like:

SSG: 270 or above or received the Army Physical Fitness Badge

SFC: 270 or above or received the Army Physical Fitness Badge

MSG: N/A

Highly qualified looks like:

SSG: 240 – 269 on APFT

SFC: 240 – 269 on APFT

MSG: N/A

MILITARY/CIVILIAN EDUCATION

Best-qualified looks like:

SSG: Exceeded ALC Course Standards, Leadership Award, Distinguished Honor/Honor Graduate, AA Degree

SFC: Exceeded SLC Course Standards, Leadership Award, Distinguished Honor/Honor Graduate, BS Degree

MSG: N/A

Highly qualified looks like:

SSG: Exceeded ALC Course Standards, Commandant's List, >30 semester hours of college

SFC: Exceeded SLC Course Standards, Commandant's List, AA Degree

MSG: N/A



MOS 68F



ASSIGNMENTS (Broadening and Key Developmental)
PROPONENT SPECIFIC CHALLENGING / HIGH RISK

SSG: Instructor/Writer, ALC Small Group Leader, AIT Platoon Sergeant, **Platoon Sergeant**

SFC: Senior Training Developer/Writer, Instructor/Writer, SLC Small Group Leader, AIT Platoon Sergeant, **Detachment Sergeant, First Sergeant**

MSG: N/A

Army wide Special Duty Assignments are specific, defined and provided in the Annex to the Board MOI



U.S. ARMY

MOS 68F



TRAINING

Most-qualified looks like:

SSG: EFMB, National Physical Therapist Assistant Examination (NPTAE)

SFC: EFMB, National Physical Therapist Assistant Examination (NPTAE)

MSG: N/A

Highly qualified looks like:

SSG: Air Assault, Airborne, MRT, SHARP, EOL, MFT

SFC: Air Assault, Airborne, MRT, SHARP, EOL, MFT, Battle Staff

MSG: N/A

OTHER INDICATORS

Most-qualified looks like:

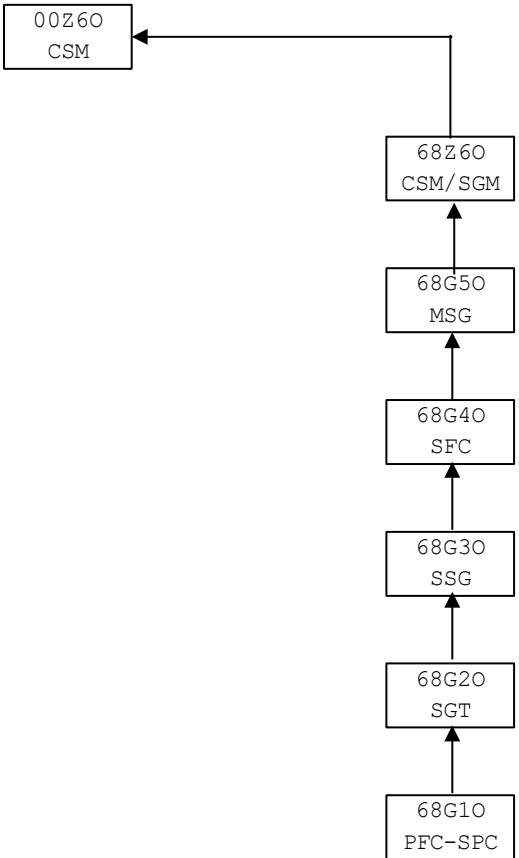
SSG: Active Audie Murphy or SGT Morales Club Member, awarded MOVSM for volunteer service, Army Best Medic Competitor, NCO of the Quarter/Year **(all annotated on NCOER)**

SFC: Active Audie Murphy or SGT Morales Club Member, awarded MOVSM for volunteer service, Army Best Medic Competitor, NCO of the Quarter/Year **(all annotated on NCOER)**

MSG: N/A



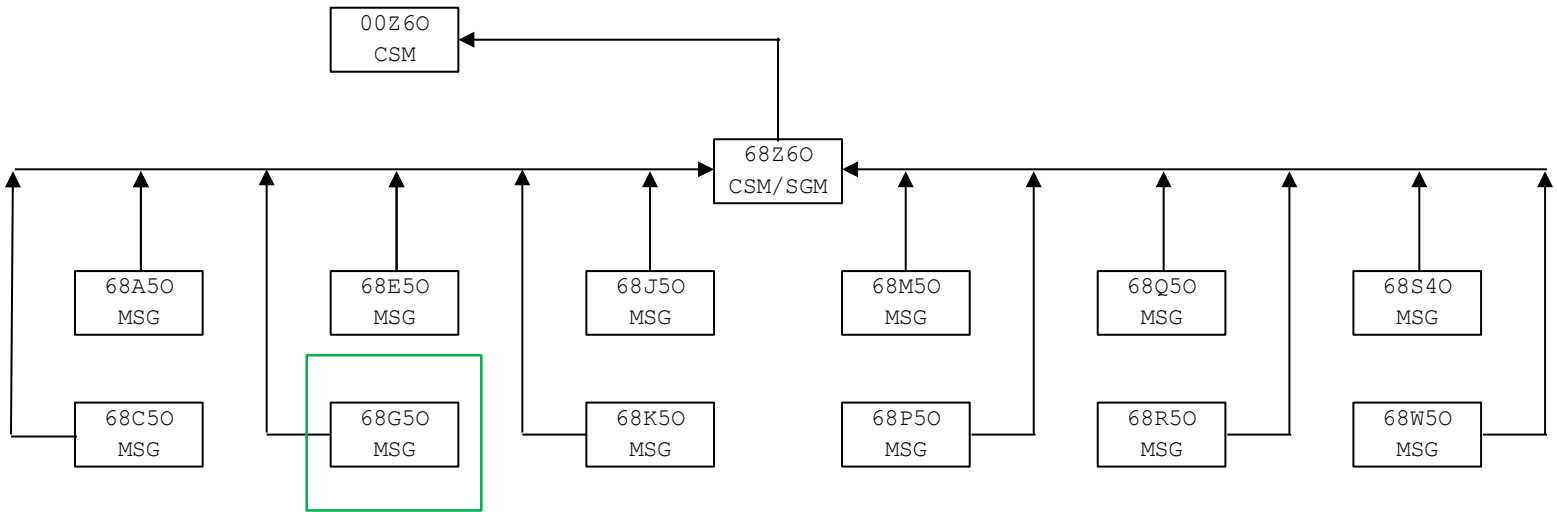
MOS 68G Progression Chart





U.S.ARMY

MOS 68Z Progression Chart





U.S. ARMY

MOS 68G



The Patient Administration Specialist supervises or performs administrative duties in patient administration division of hospital or other medical activity.

LEADERSHIP POSITIONS

Most-qualified looks like:

- SSG: 18 to 36 months as a Platoon Sergeant, Patient Administration NCO
- SFC: 18 to 36 months as a Platoon Sergeant, Detachment Sergeant, First Sergeant
- MSG: 18 to 36 months as a First Sergeant, Chief Medical NCO, Operations SGM
- CSM/SGM: N/A

Highly qualified looks like:

- SSG: Patient Administration NCO
- SFC: Patient Administration NCO
- MSG: Patient Administration NCO
- CSM/SGM: N/A



MOS 68G



PHYSICAL FITNESS

Most-qualified looks like:

SSG: 270 or above or received the Army Physical Fitness Badge

SFC: 270 or above or received the Army Physical Fitness Badge

MSG: 270 or above or received the Army Physical Fitness Badge

CSM/SGM: N/A

Highly qualified looks like:

SSG: 240 – 269 on APFT

SFC: 240 – 269 on APFT

MSG: 240 – 269 on APFT

MILITARY/CIVILIAN EDUCATION

Most-qualified looks like:

SSG: Exceeded ALC Course Standards, Leadership Award, Distinguished Honor/Honor Graduate, AA Degree

SFC: Exceeded SLC Course Standards, Leadership Award, Distinguished Honor/Honor Graduate, BS Degree

MSG: Exceeded MLC Course Standards, Leadership Award, Distinguished Honor/Honor Graduate, MS Degree

Highly qualified looks like:

SSG: Exceeded ALC Course Standards, Commandant's List, >30 semester hours of college

SFC: Exceeded SLC Course Standards, Commandant's List, AA Degree

MSG: Exceeded MLC Course Standards, Commandant's List, >90 semester hours of college towards BS Degree



MOS 68G



ASSIGNMENTS (Broadening and Key Developmental)
PROPONENT SPECIFIC CHALLENGING / HIGH RISK

SSG: Instructor Writer, Training Developer Writer, ALC Small Group Leader, AIT Platoon Sergeant, **Platoon Sergeant**

SFC: Instructor Writer, SLC Small Group Leader, AIT Platoon Sergeant, **Platoon Sergeant, Detachment Sergeant**

MSG: Chief Instructor Writer, Inspector General NCO, **First Sergeant**

CSM/SGM: N/A

Army wide Special Duty Assignments are specific, defined and provided in the Annex to the Board MOI



U.S. ARMY

MOS 68G



TRAINING

Most-qualified looks like:

- SSG: EFMB, Certified Coding Specialist (CCS)
- SFC: EFMB, Certified Coding Specialist (CCS), Registered Health Information Technician (RHIT)
- MSG: EFMB, Certified Coding Specialist (CCS), Registered Health Information Technician (RHIT)
- CSM/SGM: N/A

Highly qualified looks like:

- SSG: Air Assault, Airborne, MRT, SHARP, EOL, MFT
- SFC: Air Assault, Airborne, MRT, SHARP, EOL, MFT, Battle Staff
- MSG: Air Assault, Airborne, MRT, MFT, Battle Staff
- CSM/SGM: N/A

OTHER INDICATORS

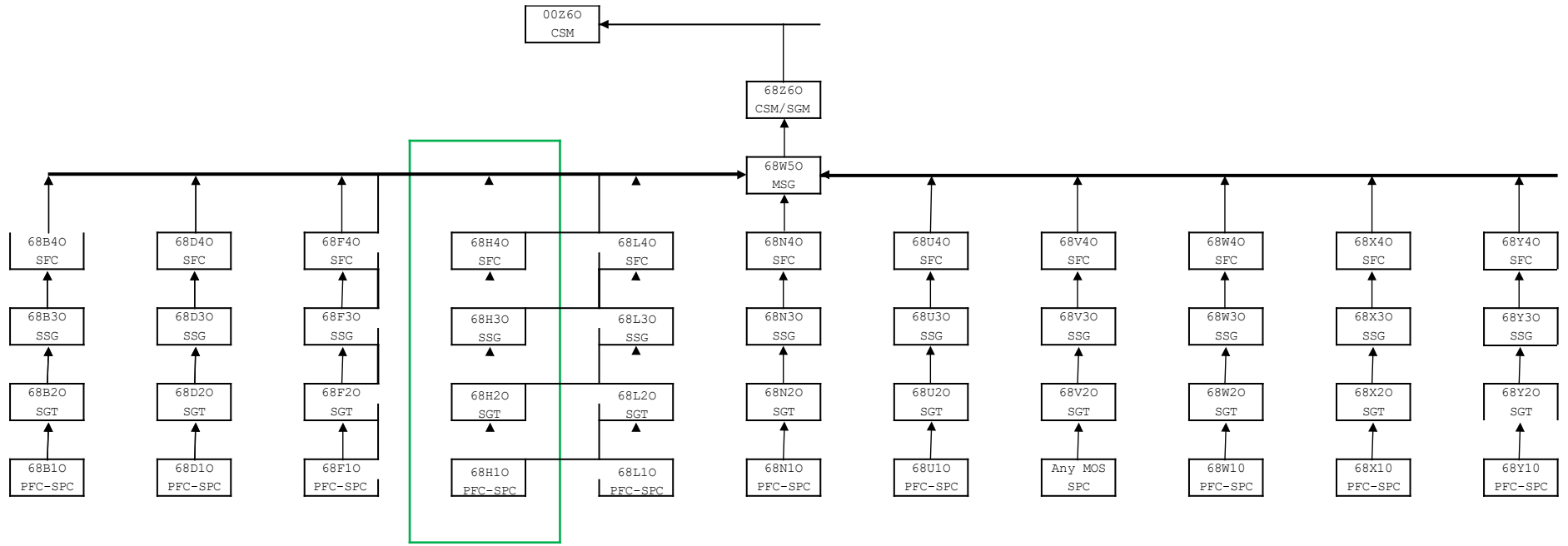
Most-qualified looks like:

- SSG: Active Audie Murphy or SGT Morales Club Member, awarded MOVSM for volunteer service, Army Best Medic Competitor, NCO of the Quarter/Year **(all annotated on NCOER)**
- SFC: Active Audie Murphy or SGT Morales Club Member, awarded MOVSM for volunteer service, Army Best Medic Competitor, NCO of the Quarter/Year **(all annotated on NCOER)**
- MSG: Award of the Order of Military Medical Merit (Regimental Award), Other Regimental Awards **(annotated on NCOER)**



U.S.ARMY

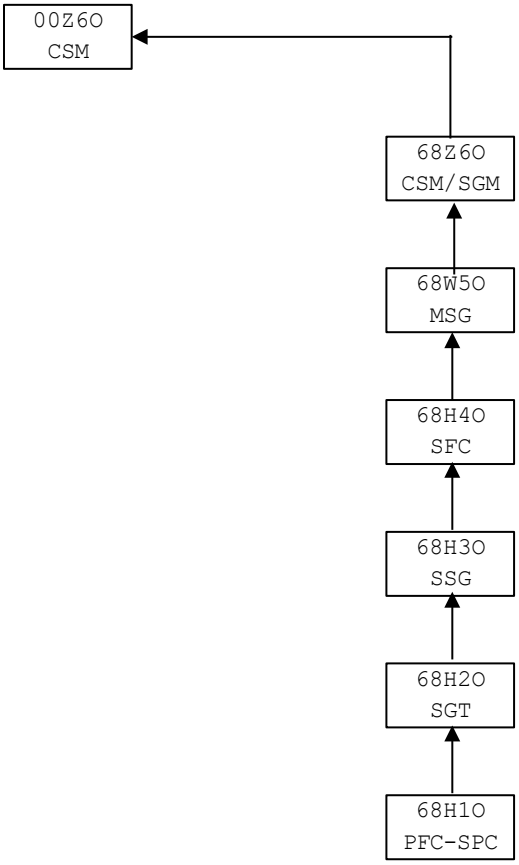
MOS 68H Progression Chart





U.S.ARMY

MOS 68H Progression Chart





MOS 68H



The Optical Laboratory Specialist assembles spectacles utilizing pre-surfaced single-vision lens; surfaces multi-vision lens and assembles multi-vision spectacles; repairs and fabricates spectacles and supervises optical laboratory personnel.

LEADERSHIP POSITIONS

Most-qualified looks like:

SSG: 18 to 36 months as a Platoon Sergeant, Optical Laboratory NCO

SFC: 18 to 36 months as a Detachment Sergeant, Senior Optical Laboratory NCO

MSG: N/A

Highly qualified looks like:

SSG: Optical Laboratory NCO

SFC: Senior Optical Laboratory NCO

MSG: N/A



MOS 68H



PHYSICAL FITNESS

Most-qualified looks like:

SSG: 270 or above or received the Army Physical Fitness Badge

SFC: 270 or above or received the Army Physical Fitness Badge

MSG: N/A

Highly qualified looks like:

SSG: 240 – 269 on APFT

SFC: 240 – 269 on APFT

MSG: N/A

MILITARY/CIVILIAN EDUCATION

Most-qualified looks like:

SSG: Exceeded ALC Course Standards, Leadership Award, Distinguished Honor/Honor Graduate, AA Degree

SFC: Exceeded SLC Course Standards, Leadership Award, Distinguished Honor/Honor Graduate, BS Degree

MSG: N/A

Highly qualified looks like:

SSG: Exceeded ALC Course Standards, Commandant's List, >30 semester hours of college

SFC: Exceeded SLC Course Standards, Commandant's List, AA Degree

MSG: N/A



MOS 68H



ASSIGNMENTS (Broadening and Key Developmental)
PROPONENT SPECIFIC CHALLENGING / HIGH RISK

SSG: Instructor Writer, ALC Small Group Leader, AIT Platoon Sergeant, **Platoon Sergeant**

SFC: Senior Training Developer Writer, Instructor Writer, SLC Small Group Leader, AIT Platoon Sergeant, **Platoon Sergeant, Detachment Sergeant**

MSG: N/A

Army wide Special Duty Assignments are specific, defined and provided in the Annex to the Board MOI



MOS 68H



TRAINING

Most-qualified looks like:

SSG: EFMB, National Opticianry Competency Examination – ABO Basic
SFC: EFMB, National Opticianry Competency Examination – ABO Basic
MSG: N/A

Highly qualified looks like:

SSG: Air Assault, Airborne, MRT, SHARP, EOL, MFT
SFC: Air Assault, Airborne, MRT, SHARP, EOL, MFT, Battle Staff
MSG: N/A

OTHER INDICATORS

Most-qualified looks like:

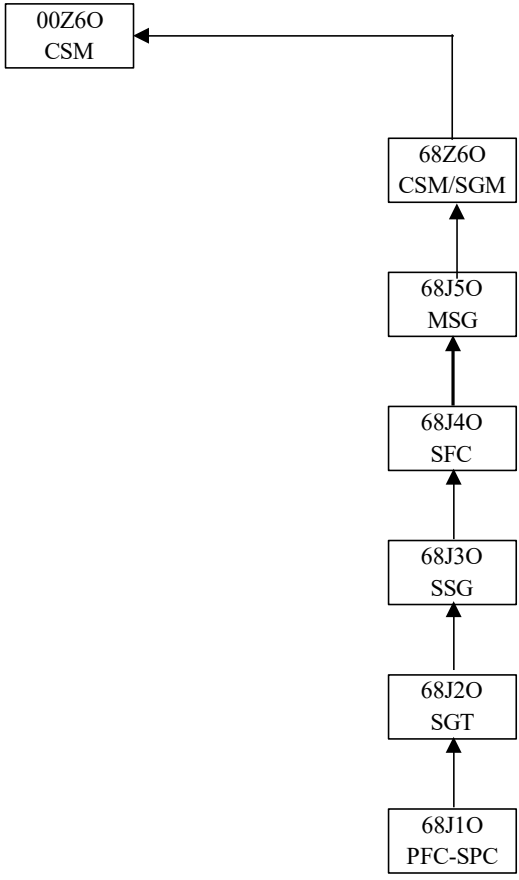
SSG: Active Audie Murphy or SGT Morales Club Member, awarded MOVSM for volunteer service, Army Best Medic Competitor, NCO of the Quarter/Year **(all annotated on NCOER)**

SFC: Active Audie Murphy or SGT Morales Club Member, awarded MOVSM for volunteer service, Army Best Medic Competitor, NCO of the Quarter/Year **(all annotated on NCOER)**

MSG: Award of the Order of Military Medical Merit (Regimental Award) **(annotated on NCOER)**



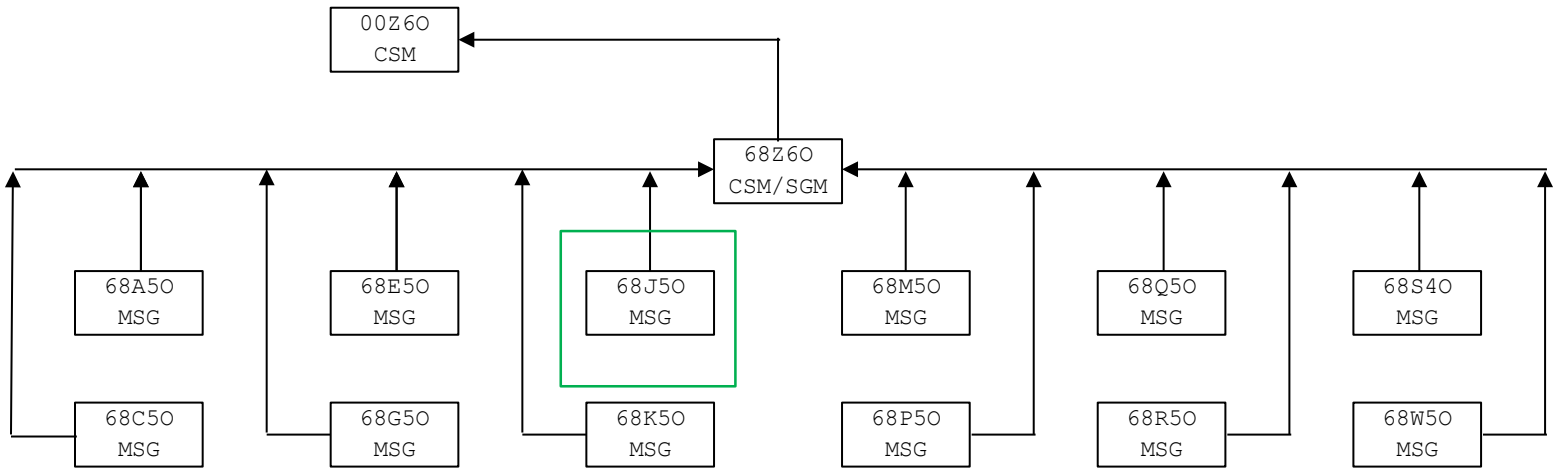
MOS 68J Progression Chart





U.S. ARMY

MOS 68Z Progression Chart





U.S. ARMY

MOS 68J



The Medical Logistics Specialist performs or supervises requisitioning, receipt, inventory management, storage, preservation, issue, salvage, destruction stock control, quality control, property management, repair parts management, inspection, packing and shipping, care, segregation and accounting of medical supplies and equipment.

LEADERSHIP POSITIONS

Most-qualified looks like:

SSG: 18 to 36 months as a Platoon Sergeant, Medical Logistics NCO

SFC: 18 to 36 months as a Platoon Sergeant, Detachment Sergeant, First Sergeant

MSG: 18 to 36 months as a First Sergeant, Chief Medical NCO, Operations Sergeant Major

CSM/SGM: N/A

Highly qualified looks like:

SSG: Medical Logistics NCO, Stock Control Supervisor

SFC: Medical Logistics NCO

MSG: Medical Logistics NCO, Operations Sergeant

CSM/SGM: N/A



MOS 68J



PHYSICAL FITNESS

Most-qualified looks like:

SSG: 270 or above or received the Army Physical Fitness Badge
SFC: 270 or above or received the Army Physical Fitness Badge
MSG: 270 or above or received the Army Physical Fitness Badge
CSM/SGM: N/A

Highly qualified looks like:

SSG: 240 – 269 on APFT
SFC: 240 – 269 on APFT
MSG: 240 – 269 on APFT

MILITARY/CIVILIAN EDUCATION

Most-qualified looks like:

SSG: Exceeded ALC Course Standards, Leadership Award, Distinguished Honor/Honor Graduate, AA Degree
SFC: Exceeded SLC Course Standards, Leadership Award, Distinguished Honor/Honor Graduate, BS Degree
MSG: Exceeded MLC Course Standards, Leadership Award, Distinguished Honor Graduate, MS Degree

Highly qualified looks like:

SSG: Exceeded ALC Course Standards, Commandant's List, >30 semester hours of college
SFC: Exceeded SLC Course Standards, Commandant's List, AA Degree
MSG: Exceeded MLC Course Standards, Commandant's List, >90 semester hours of college towards BS Degree



MOS 68J



ASSIGNMENTS (Broadening and Key Developmental)
PROPONENT SPECIFIC CHALLENGING / HIGH RISK

SSG: Instructor Writer, ALC Small Group Leader, AIT Platoon Sergeant, **Platoon Sergeant**

SFC: Senior Training Developer Writer, Instructor Writer, SLC Small Group Leader, AIT Platoon Sergeant, Senior Observer Controller Trainer, **Platoon Sergeant, Detachment Sergeant**

MSG: Senior Training Developer Writer, Inspector General NCO, **Operations Sergeant, First Sergeant**

CSM/SGM: N/A

Army wide Special Duty Assignments are specific, defined and provided in the Annex to the Board MOI



MOS 68J



TRAINING

Most-qualified looks like:

SSG: EFMB, Certified in Production and Inventory Management (CPIM)

SFC: EFMB, Certified in Production and Inventory Management (CPIM), Certified Professional Logistician (CPL)

MSG: EFMB, Certified in Production and Inventory Management (CPIM), Certified Professional Logistician (CPL)

CSM/SGM: N/A

Highly qualified looks like:

SSG: Air Assault, Airborne, MRT, SHARP, EOL, MFT

SFC: Air Assault, Airborne, MRT, SHARP, EOL, MFT, Battle Staff

MSG: Air Assault, Airborne, MRT, MFT, Battle Staff

CSM/SGM: N/A

OTHER INDICATORS

Most-qualified looks like:

SSG: Active Audie Murphy or SGT Morales Club Member, awarded MOVSM for volunteer service, Army Best Medic Competitor, NCO of the Quarter/Year **(all annotated on NCOER)**

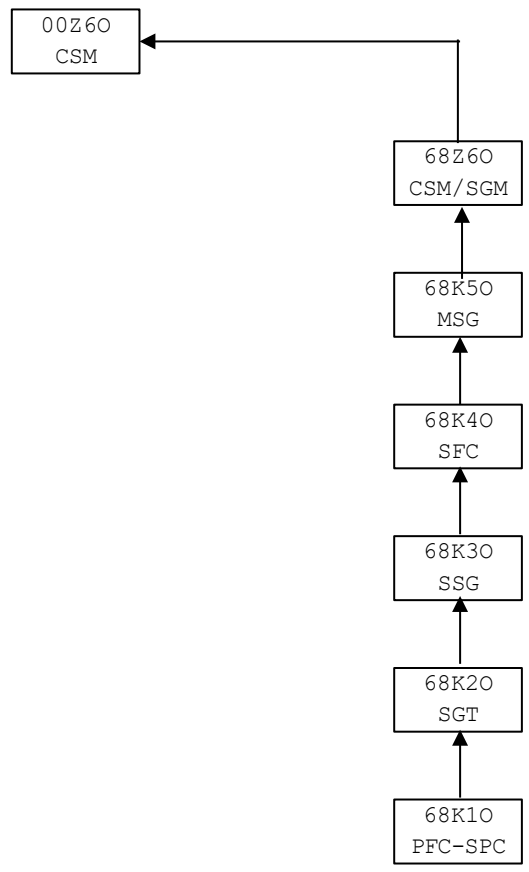
SFC: Active Audie Murphy or SGT Morales Club Member, awarded MOVSM for volunteer service, Army Best Medic Competitor, NCO of the Quarter/Year **(all annotated on NCOER)**

MSG: Award of the Order of Military Medical Merit (Regimental Award), Other Regimental Awards **(annotated on NCOER)**



U.S.ARMY

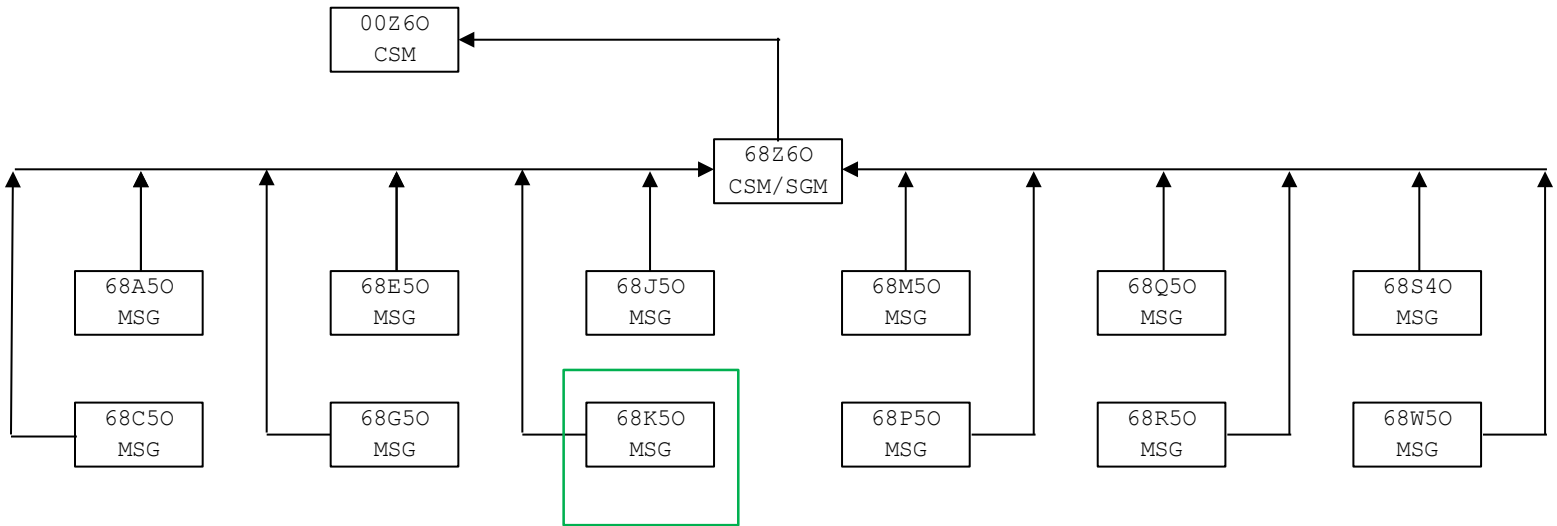
MOS 68K Progression Chart





U.S.ARMY

MOS 68Z Progression Chart





MOS 68K



The medical laboratory specialist performs blood banking procedures and elementary and advanced examinations of biological and environmental specimens to aid in the diagnosis, treatment, and prevention of disease and other medical disorders.

LEADERSHIP POSITIONS

Most-qualified looks like:

- SSG: 18 to 36 months as a Platoon Sergeant, Medical Lab NCO
- SFC: 18 to 36 months as a Platoon Sergeant, Detachment Sergeant, Senior Medical Lab NCO
- MSG: 18 to 36 months as a First Sergeant, Chief Medical NCO, Operations Sergeant Major
- CSM/SGM: N/A

Highly qualified looks like:

- SSG: Medical Lab NCO, Cytology NCO, Section Chief
- SFC: Medical Lab NCO
- MSG: Senior Medical Lab NCO
- CSM/SGM: N/A



U.S. ARMY

MOS 68K



PHYSICAL FITNESS

Most-qualified looks like:

SSG: 270 or above or received the Army Physical Fitness Badge

SFC: 270 or above or received the Army Physical Fitness Badge

MSG: 270 or above or received the Army Physical Fitness Badge

CSM/SGM: N/A

Highly qualified looks like:

SSG: 240 – 269 on APFT

SFC: 240 – 269 on APFT

MSG: 240 – 269 on APFT

MILITARY/CIVILIAN EDUCATION

Most-qualified looks like:

SSG: Exceeded ALC Course Standards, Leadership Award, Distinguished Honor/Honor Graduate, AA Degree

SFC: Exceeded SLC Course Standards, Leadership Award, Distinguished Honor/Honor Graduate, BS Degree

MSG: Exceeded MLC Course Standards, Leadership Award, Distinguished Honor Graduate, MS Degree

Highly qualified looks like:

SSG: Exceeded ALC Course Standards, Commandant's List, >30 semester hours of college

SFC: Exceeded SLC Course Standards, Commandant's List, AA Degree

MSG: Exceeded MLC Course Standards, Commandant's List, >90 semester hours of college towards BS Degree



MOS 68K



ASSIGNMENTS (Broadening and Key Developmental)
PROPONENT SPECIFIC CHALLENGING / HIGH RISK

SSG: Instructor Writer, ALC Small Group Leader, AIT Platoon Sergeant, WTU Squad Leader, **Platoon Sergeant**

SFC: Senior Training Developer Writer, Instructor/Writer, SLC Small Group Leader, AIT Platoon Sergeant, **Platoon Sergeant, Detachment Sergeant**

MSG: Chief Instructor Writer, Inspector General NCO, **First Sergeant**

CSM/SGM: N/A

Army wide Special Duty Assignments are specific, defined and provided in the Annex to the Board MOI



U.S. ARMY

MOS 68K



TRAINING

Most-qualified looks like:

SSG: EFMB, Medical Laboratory Technician (MLT)

SFC: EFMB, Medical Laboratory Technician (MLT)

MSG: EFMB, Medical Laboratory Technician (MLT)

CSM/SGM: N/A

Highly qualified looks like:

SSG: Air Assault, Airborne, MRT, SHARP, EOL, MFT

SFC: Air Assault, Airborne, MRT, SHARP, EOL, MFT, Battle Staff

MSG: Air Assault, Airborne, MRT, MFT, Battle Staff

CSM/SGM: N/A

OTHER INDICATORS

Most-qualified looks like:

SSG: Active Audie Murphy or SGT Morales Club Member, awarded MOVSM for volunteer service, Army Best Medic Competitor, NCO of the Quarter/Year **(all annotated on NCOER)**

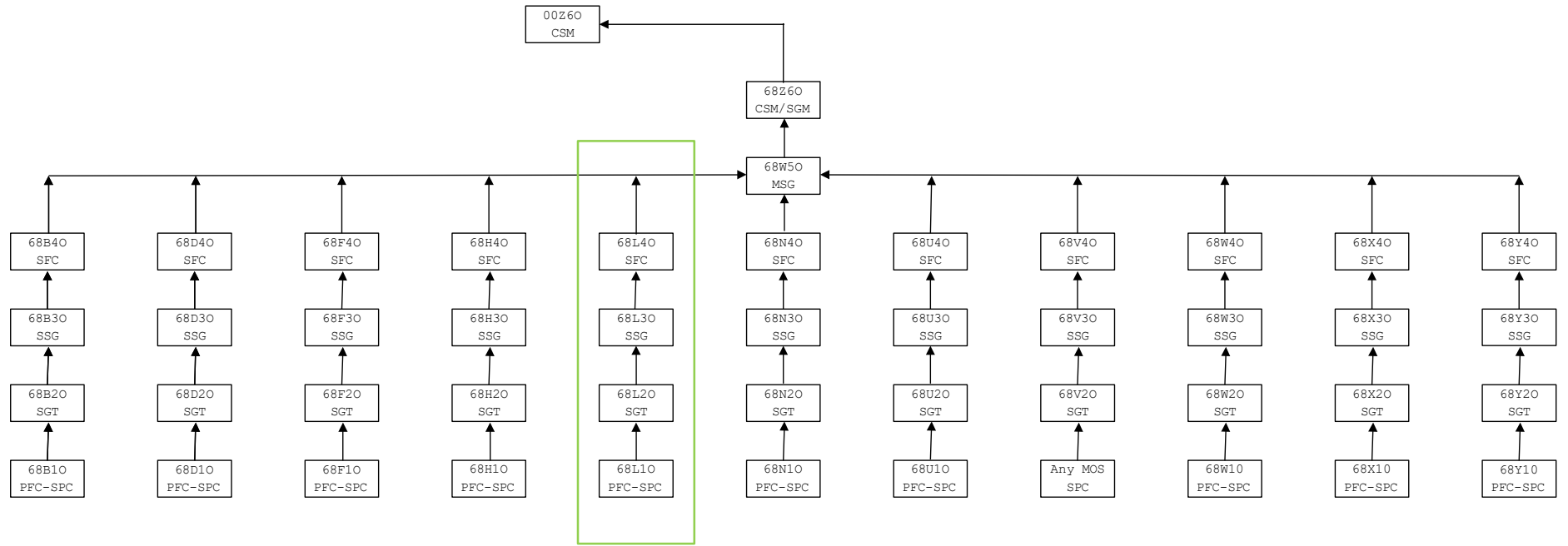
SFC: Active Audie Murphy or SGT Morales Club Member, awarded MOVSM for volunteer service, Army Best Medic Competitor, NCO of the Quarter/Year **(all annotated on NCOER)**

MSG: Award of the Order of Military Medical Merit (Regimental Award), Other Regimental Awards **(annotated on NCOER)**



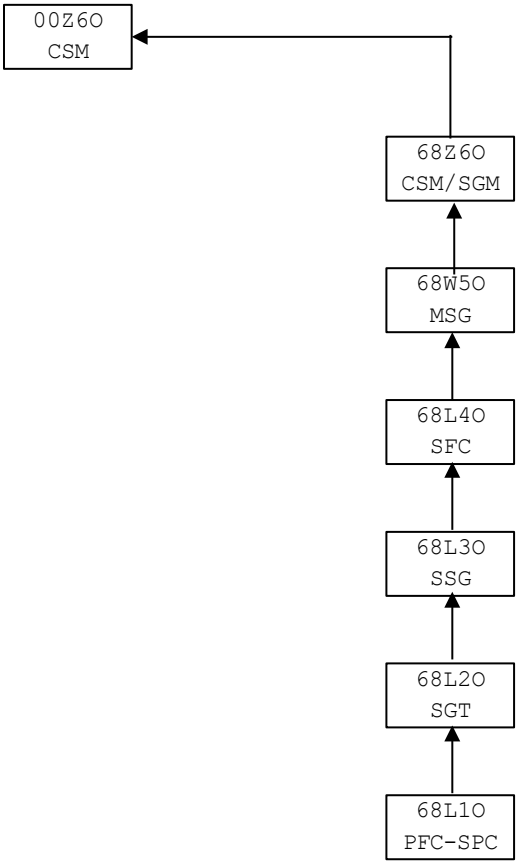
U.S.ARMY

MOS 68L Progression Chart





MOS 68L Progression Chart





MOS 68L



The Occupational Therapy Specialist, under the direction of a registered military occupational therapist, supervises or interviews, tests, plans treatment programs, and teaches and assists patients to facilitate maximum recovery by decreasing physical and mental disabilities resulting from illness or trauma, prevent injury, and promote life-style modification to improve fitness.

LEADERSHIP POSITIONS

Most-qualified looks like:

SSG: 18 to 36 months as a Platoon Sergeant, Occupational Therapy NCO

SFC: 18 to 36 months as a Platoon Sergeant, Detachment Sergeant, First Sergeant

MSG: N/A

Highly qualified looks like:

SSG: Occupational Therapy SGT

SFC: Occupational Therapy NCO

MSG: N/A



U.S. ARMY

MOS 68L



PHYSICAL FITNESS

Most-qualified looks like:

SSG: 270 or above or received the Army Physical Fitness Badge

SFC: 270 or above or received the Army Physical Fitness Badge

MSG: N/A

Highly qualified looks like:

SSG: 240 – 269 on APFT

SFC: 240 – 269 on APFT

MSG: N/A

MILITARY/CIVILIAN EDUCATION

Most-qualified looks like:

SSG: Exceeded ALC Course Standards, Leadership Award, Distinguished Honor/Honor Graduate, BS Degree

SFC: Exceeded SLC Course Standards, Leadership Award, Distinguished Honor/Honor Graduate, BS Degree

MSG: N/A

Highly qualified looks like:

SSG: Exceeded ALC Course Standards, Commandant's List, AA Degree

SFC: Exceeded SLC Course Standards, Commandant's List, >90 semester hours of college towards BS

MSG: N/A



MOS 68L



ASSIGNMENTS (Broadening and Key Developmental)
PROPONENT SPECIFIC CHALLENGING / HIGH RISK

SSG: Instructor/Writer, ALC Small Group Leader, AIT Platoon Sergeant, **Platoon Sergeant**

SFC: Senior Training Developer/Writer, Instructor/Writer, SLC Small Group Leader, AIT Platoon Sergeant, **Detachment Sergeant, First Sergeant**

MSG: N/A

Army wide Special Duty Assignments are specific, defined and provided in the Annex to the Board MOI



U.S. ARMY

MOS 68L



TRAINING

Most-qualified looks like:

SSG: EFMB, Certified Occupational Therapy Assistant (COTA)

SFC: EFMB, Certified Occupational Therapy Assistant (COTA)

MSG: N/A

Highly qualified looks like:

SSG: Air Assault, Airborne, MRT, SHARP, EOL, MFT

SFC: Air Assault, Airborne, MRT, SHARP, EOL, MFT, Battle Staff

MSG: N/A

OTHER INDICATORS

Most-qualified looks like:

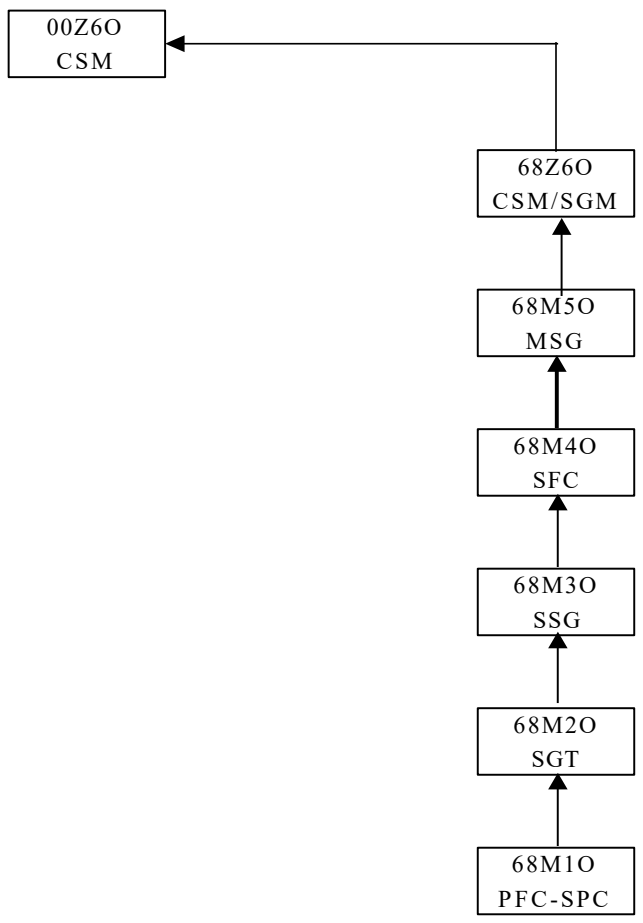
SSG: Active Audie Murphy or SGT Morales Club Member, awarded MOVSM for volunteer service, Army Best Medic Competitor, NCO of the Quarter/Year **(all annotated on NCOER)**

SFC: Active Audie Murphy or SGT Morales Club Member, awarded MOVSM for volunteer service, Army Best Medic Competitor, NCO of the Quarter/Year **(all annotated on NCOER)**

MSG: N/A



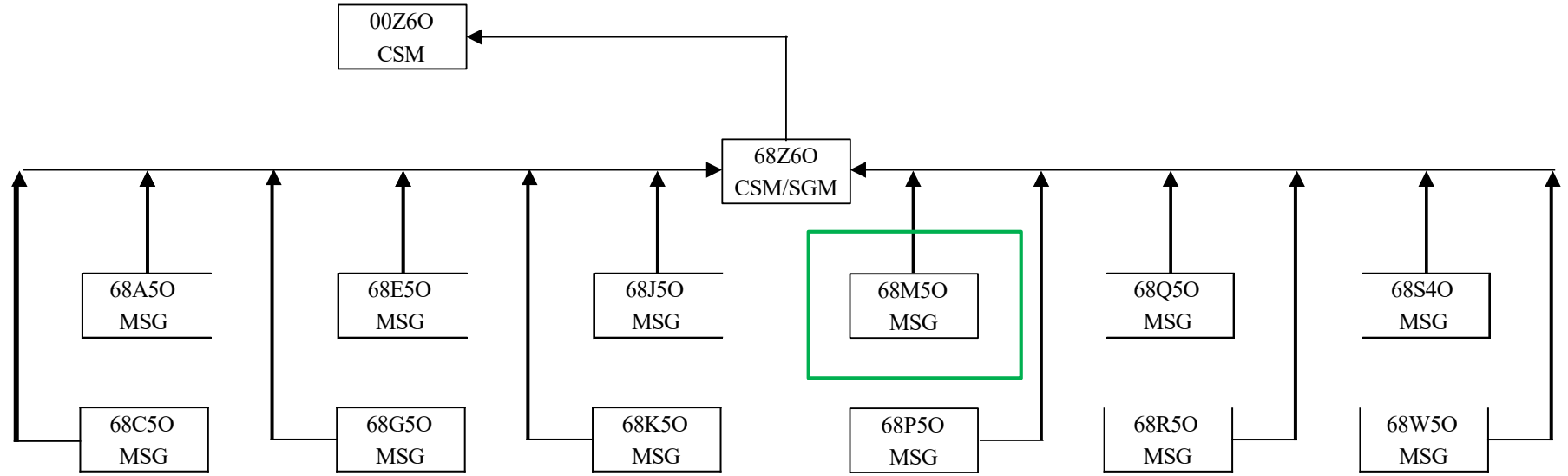
MOS 68M Progression Chart





U.S.ARMY

MOS 68Z Progression Chart





U.S. ARMY

MOS 68M



The Nutrition Care Specialist serves as an extender to the AOC 65C (dietitian) by providing medical nutrition care therapy to patients and staff as well as in support of humanitarian missions in field and fixed hospitals.

LEADERSHIP POSITIONS

Most-qualified looks like:

SSG: 18 to 36 months as a Platoon Sergeant, Nutrition Care NCO

SFC: 18 to 36 months as a Detachment Sergeant, First Sergeant, Chief Nutrition Care NCO

MSG: 18 to 36 months as a First Sergeant, Chief Medical NCO, Operations SGM

CSM/SGM: N/A

Highly qualified looks like:

SSG: Nutrition Care NCO

SFC: Nutrition Care NCO

MSG: Chief Nutrition Care NCO

CSM/SGM: N/A



U.S. ARMY

MOS 68M



PHYSICAL FITNESS

Most-qualified looks like:

SSG: 270 or above or received the Army Physical Fitness Badge

SFC: 270 or above or received the Army Physical Fitness Badge

MSG: 270 or above or received the Army Physical Fitness Badge

CSM/SGM: N/A

Highly qualified looks like:

SSG: 240 – 269 on APFT

SFC: 240 – 269 on APFT

MSG: 240 – 269 on APFT

MILITARY/CIVILIAN EDUCATION

Most-qualified looks like:

SSG: Exceeded ALC Course Standards, Leadership Award, Distinguished Honor/Honor Graduate, AA Degree

SFC: Exceeded SLC Course Standards, Leadership Award, Distinguished Honor/Honor Graduate, BS Degree

MSG: Exceeded MLC Course Standards, Leadership Award, Distinguished Honor Graduate, MS Degree

Highly qualified looks like:

SSG: Exceeded ALC Course Standards, Commandant's List, >30 semester hours of college

SFC: Exceeded SLC Course Standards, Commandant's List, AA Degree

MSG: Exceeded MLC Course Standards, Commandant's List, >90 semester hours of college towards BS Degree



MOS 68M



ASSIGNMENTS (Broadening and Key Developmental)
PROPONENT SPECIFIC CHALLENGING / HIGH RISK

SSG: Instructor Writer, ALC Small Group Leader, AIT Platoon Sergeant, **Platoon Sergeant**

SFC: Instructor Writer, SLC Small Group Leader, AIT Platoon Sergeant, **Platoon Sergeant, Detachment Sergeant**

MSG: Chief Instructor Writer, **First Sergeant**

CSM/SGM: N/A

Army wide Special Duty Assignments are specific, defined and provided in the Annex to the Board MOI



MOS 68M



TRAINING

Most-qualified looks like:

SSG: EFMB, Certified Dietary Manager, Certified Food Protection Professional (CDM-CFPP)
SFC: EFMB, Certified Dietary Manager, Certified Food Protection Professional (CDM-CFPP)
MSG: EFMB, Certified Dietary Manager, Certified Food Protection Professional (CDM-CFPP)
CSM/SGM: N/A

Highly qualified looks like:

SSG: Air Assault, Airborne, MRT, SHARP, EOL, MFT
SFC: Air Assault, Airborne, MRT, SHARP, EOL, MFT, Battle Staff
MSG: Air Assault, Airborne, MRT, MFT, Battle Staff
CSM/SGM: N/A

OTHER INDICATORS

Most-qualified looks like:

SSG: Active Audie Murphy or SGT Morales Club Member, awarded MOVSM for volunteer service, Army Best Medic Competitor, NCO of the Quarter/Year **(all annotated on NCOER)**

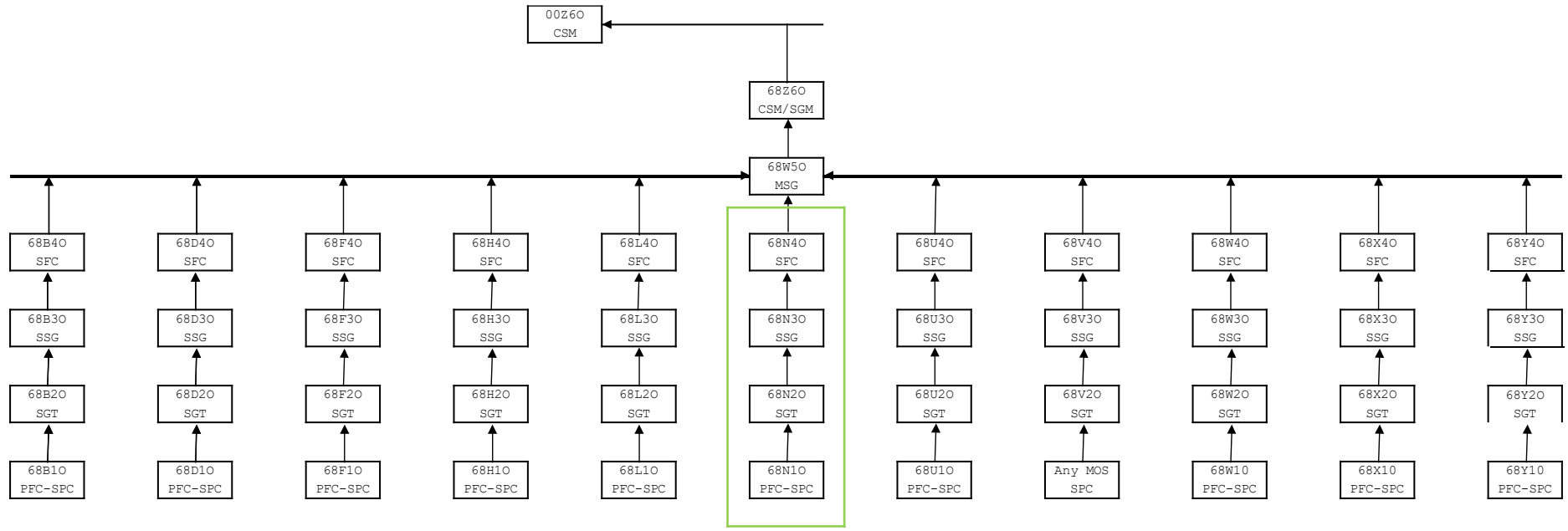
SFC: Active Audie Murphy or SGT Morales Club Member, awarded MOVSM for volunteer service, Army Best Medic Competitor, NCO of the Quarter/Year **(all annotated on NCOER)**

MSG: Award of the Order of Military Medical Merit (Regimental Award), Other Regimental Awards **(annotated on NCOER)**



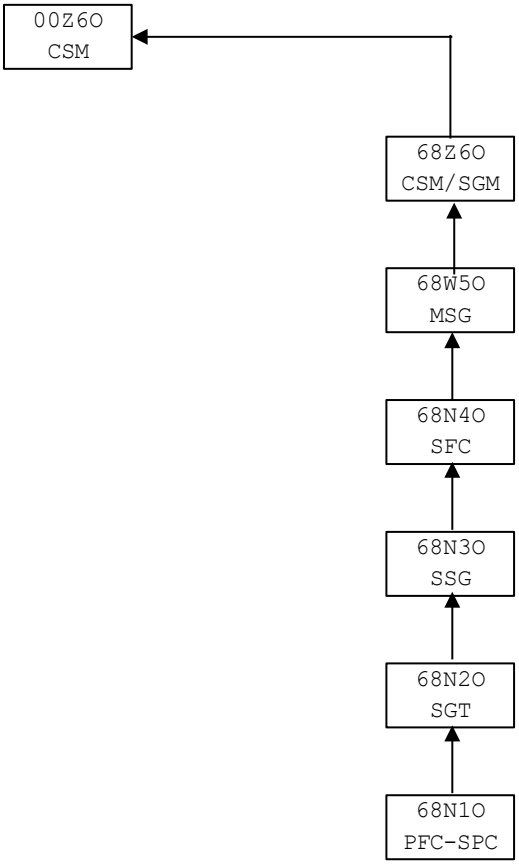
U.S. ARMY

MOS 68N Progression Chart





MOS 68N Progression Chart





U.S. ARMY

MOS 68N



The Cardiovascular Specialist assists with the management of cardiac clinics, and performs specialized invasive and noninvasive cardiac tests and examinations.

LEADERSHIP POSITIONS

Most-qualified looks like:

SSG: 18 to 36 months as a Platoon Sergeant, Cardiovascular NCO

SFC: 18 to 36 months as a Platoon Sergeant, Detachment Sergeant, First Sergeant

MSG: N/A

Highly qualified looks like:

SSG: Cardiovascular SGT

SFC: Cardiovascular NCO

MSG: N/A



U.S. ARMY

MOS 68N



PHYSICAL FITNESS

Most-qualified looks like:

SSG: 270 or above or received the Army Physical Fitness Badge

SFC: 270 or above or received the Army Physical Fitness Badge

MSG: N/A

Highly qualified looks like:

SSG: 240 – 269 on APFT

SFC: 240 – 269 on APFT

MSG: N/A

MILITARY/CIVILIAN EDUCATION

Most-qualified looks like:

SSG: Exceeded ALC Course Standards, Leadership Award, Distinguished Honor/Honor Graduate, AA Degree

SFC: Exceeded SLC Course Standards, Leadership Award, Distinguished Honor/Honor Graduate, BS Degree

MSG: N/A

Highly qualified looks like:

SSG: Exceeded ALC Course Standards, Commandant's List, >30 semester hours of college

SFC: Exceeded SLC Course Standards, Commandant's List, AA Degree

MSG: N/A



MOS 68N



ASSIGNMENTS (Broadening and Key Developmental)
PROPONENT SPECIFIC CHALLENGING / HIGH RISK

SSG: Instructor/Writer, ALC Small Group Leader, AIT Platoon Sergeant, **Platoon Sergeant**

SFC: Senior Training Developer/Writer, SLC Small Group Leader, AIT Platoon Sergeant, **Detachment Sergeant, First Sergeant**

MSG: N/A

Army wide Special Duty Assignments are specific, defined and provided in the Annex to the Board MOI



MOS 68N



TRAINING

Most-qualified looks like:

SSG: EFMB, Registered Cardiac Electrophysiology Specialist (RCES)

SFC: EFMB, Registered Cardiac Electrophysiology Specialist (RCES)

MSG: N/A

Highly qualified looks like:

SSG: Air Assault, Airborne, MRT, SHARP, EOL, MFT

SFC: Air Assault, Airborne, MRT, SHARP, EOL, MFT, Battle Staff

MSG: N/A

OTHER INDICATORS

Most-qualified looks like:

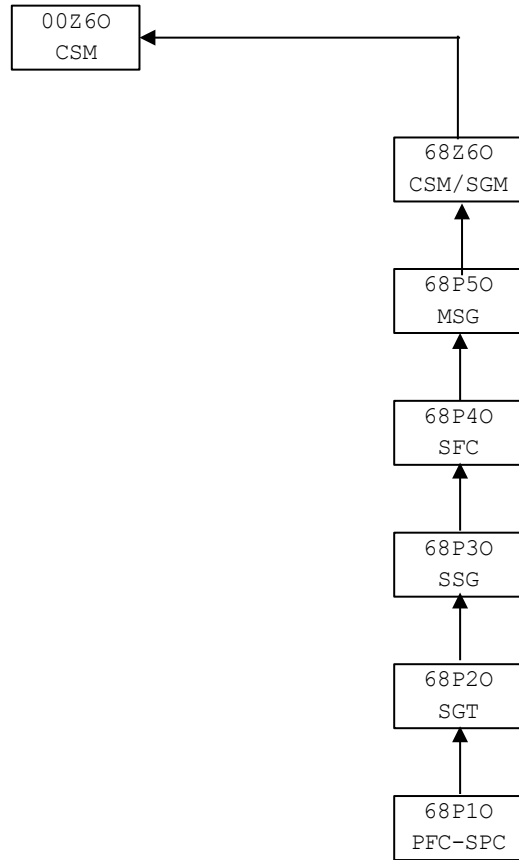
SSG: Active Audie Murphy or SGT Morales Club Member, awarded MOVSM for volunteer service, Army Best Medic Competitor, NCO of the Quarter/Year **(all annotated on NCOER)**

SFC: Active Audie Murphy or SGT Morales Club Member, awarded MOVSM for volunteer service, Army Best Medic Competitor, NCO of the Quarter/Year **(all annotated on NCOER)**

MSG: N/A



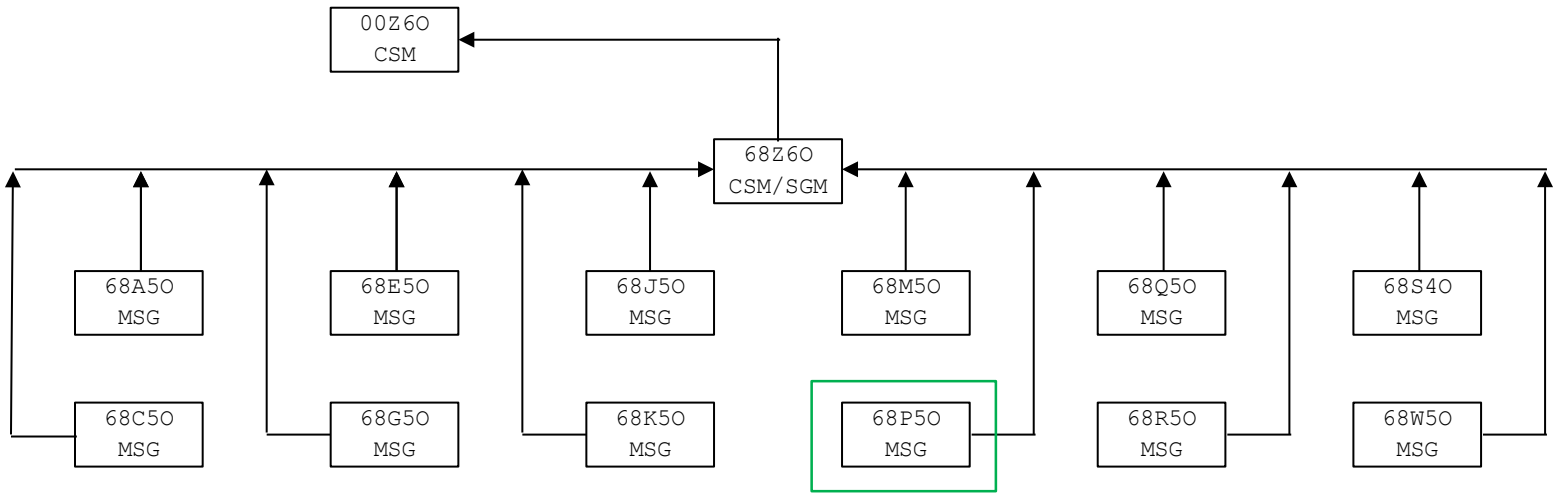
MOS 68P Progression Chart





U.S.ARMY

MOS 68Z Progression Chart





MOS 68P



The radiology specialist operates fixed and portable radiology equipment or supervises radiology activities. MOS 68P personnel require good eye-hand coordination and manual dexterity, no aversion to the sight of blood and be able to stand for long periods of time.

LEADERSHIP POSITIONS

Most-qualified looks like:

SSG: 18 to 36 months as a Platoon Sergeant, Senior Radiology NCO

SFC: 18 to 36 months as a Detachment Sergeant, First Sergeant, Chief Radiology NCO

MSG: 18 to 36 months as a First Sergeant, Chief Medical NCO, Operations Sergeant Major

CSM/SGM: N/A

Highly qualified looks like:

SSG: Radiology NCO

SFC: Senior Radiology NCO

MSG: Chief Radiology NCO

CSM/SGM: N/A



U.S. ARMY

MOS 68P



PHYSICAL FITNESS

Most-qualified looks like:

SSG: 270 or above or received the Army Physical Fitness Badge

SFC: 270 or above or received the Army Physical Fitness Badge

MSG: 270 or above or received the Army Physical Fitness Badge

CSM/SGM: N/A

Highly qualified looks like:

SSG: 240 – 269 on APFT

SFC: 240 – 269 on APFT

MSG: 240 – 269 on APFT

MILITARY/CIVILIAN EDUCATION

Most-qualified looks like:

SSG: Exceeded ALC Course Standards, Leadership Award, Distinguished Honor/Honor Graduate, AA Degree

SFC: Exceeded SLC Course Standards, Leadership Award, Distinguished Honor/Honor Graduate, BS Degree

MSG: Exceeded MLC Course Standards, Leadership Award, Distinguished Honor Graduate, MS Degree

Highly qualified looks like:

SSG: Exceeded ALC Course Standards, Commandant's List, >30 semester hours of college

SFC: Exceeded SLC Course Standards, Commandant's List, AA Degree

MSG: Exceeded MLC Course Standards, Commandant's List, >90 semester hours of college towards BS Degree



MOS 68P



ASSIGNMENTS (Broadening and Key Developmental)
PROPONENT SPECIFIC CHALLENGING / HIGH RISK

SSG: Instructor Writer, ALC Small Group Leader, AIT Platoon Sergeant, WTU Squad Leader, **Platoon Sergeant**

SFC: Senior Training Developer Writer, SLC Small Group Leader, AIT Platoon Sergeant, **Platoon Sergeant, Detachment Sergeant**

MSG: Chief Instructor Writer, Inspector General NCO, **First Sergeant**

CSM/SGM: N/A

Army wide Special Duty Assignments are specific, defined and provided in
the Annex to the Board MOI



MOS 68P



TRAINING

Most-qualified looks like:

- SSG: EFMB, Radiography Certification (American Registry of Radiologic Technologists)
- SFC: EFMB, Radiography Certification (American Registry of Radiologic Technologists)
- MSG: EFMB, Radiography Certification (American Registry of Radiologic Technologists)
- CSM/SGM: N/A

Highly qualified looks like:

- SSG: Air Assault, Airborne, MRT, SHARP, EOL, MFT
- SFC: Air Assault, Airborne, MRT, SHARP, EOL, MFT, Battle Staff
- MSG: Air Assault, Airborne, MRT, MFT, Battle Staff

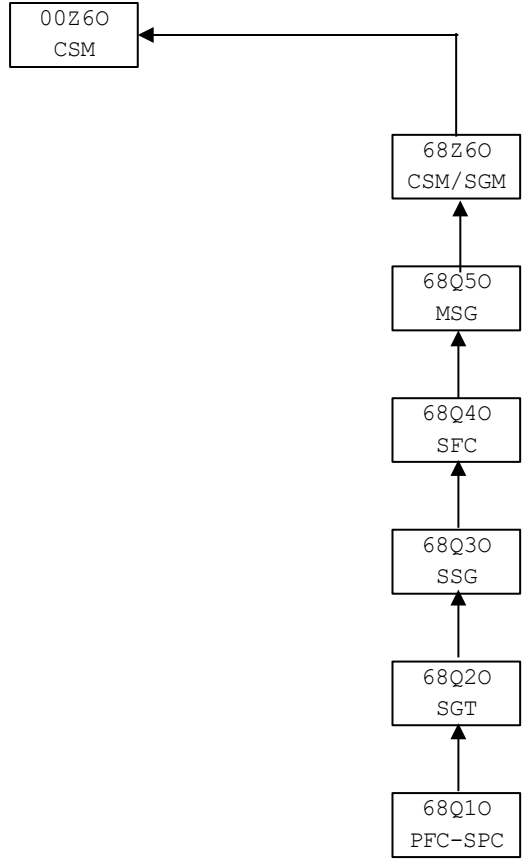
OTHER INDICATORS

Most-qualified looks like:

- SSG: Active Audie Murphy or SGT Morales Club Member, awarded MOVSM for volunteer service, Army Best Medic Competitor, NCO of the Quarter/Year **(all annotated on NCOER)**
- SFC: Active Audie Murphy or SGT Morales Club Member, awarded MOVSM for volunteer service, Army Best Medic Competitor, NCO of the Quarter/Year **(all annotated on NCOER)**
- MSG: Award of the Order of Military Medical Merit (Regimental Award), Other Regimental Awards **(annotated on NCOER)**



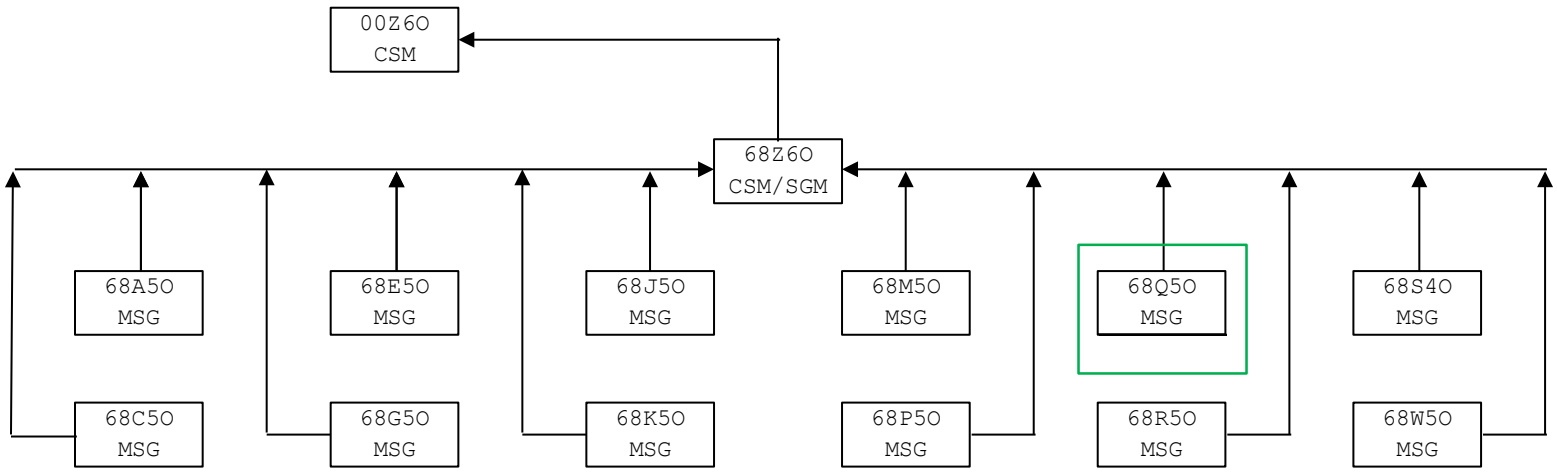
MOS 68Q Progression Chart





U.S.ARMY

MOS 68Z Progression Chart





MOS 68Q



The pharmacy specialist prepares, controls and issues pharmaceutical products under the supervision of a pharmacist or physician, and supervises pharmacy activities. MOS 68Q personnel require finger dexterity in both hands.

LEADERSHIP POSITIONS

Most-qualified looks like:

SSG: 18 to 36 months as a Platoon Sergeant, Senior Pharmacy NCO

SFC: 18 to 36 months as a Platoon Sergeant, Detachment Sergeant, Senior Chief Pharmacy NCO

MSG: 18 to 36 months as a First Sergeant, Chief Medical NCO, Operations Sergeant Major

CSM/SGM: N/A

Highly qualified looks like:

SSG: Pharmacy NCO

SFC: Senior Pharmacy NCO

MSG: Senior Chief Pharmacy NCO

CSM/SGM: N/A



U.S. ARMY

MOS 68Q



PHYSICAL FITNESS

Most-qualified looks like:

- SSG: 270 or above or received the Army Physical Fitness Badge
- SFC: 270 or above or received the Army Physical Fitness Badge
- MSG: 270 or above or received the Army Physical Fitness Badge
- CSM/SGM: N/A

Highly qualified looks like:

- SSG: 240 – 269 on APFT
- SFC: 240 – 269 on APFT
- MSG: 240 – 269 on APFT

MILITARY/CIVILIAN EDUCATION

Most-qualified looks like:

- SSG: Exceeded ALC Course Standards, Leadership Award, Distinguished Honor/Honor Graduate, AA Degree
- SFC: Exceeded SLC Course Standards, Leadership Award, Distinguished Honor/Honor Graduate, BS Degree
- MSG: Exceeded MLC Course Standards, Leadership Award, Distinguished Honor Graduate, MS Degree

Highly qualified looks like:

- SSG: Exceeded ALC Course Standards, Commandant's List, >30 semester hours of college
- SFC: Exceeded SLC Course Standards, Commandant's List, AA Degree
- MSG: Exceeded MLC Course Standards, Commandant's List, >90 semester hours of college towards BS Degree



MOS 68Q



ASSIGNMENTS (Broadening and Key Developmental)
PROPONENT SPECIFIC CHALLENGING / HIGH RISK

SSG: Instructor Writer, ALC Small Group Leader, AIT Platoon Sergeant, **Platoon Sergeant**

SFC: Senior Instructor Writer, SLC Small Group Leader, AIT Platoon Sergeant, **Platoon Sergeant, Detachment Sergeant**

MSG: Chief Instructor Writer, Inspector General NCO, **First Sergeant**

CSM/SGM: N/A

Army wide Special Duty Assignments are specific, defined and provided in the Annex to the Board MOI



U.S. ARMY

MOS 68Q



TRAINING

Most-qualified looks like:

SSG: EFMB, PTCB-Certified Pharmacy Technician (PTCB-CPhT)

SFC: EFMB, PTCB-Certified Pharmacy Technician (PTCB-CPhT)

MSG: EFMB, PTCB-Certified Pharmacy Technician (PTCB-CPhT)

CSM/SGM: N/A

Highly qualified looks like:

SSG: Air Assault, Airborne, MRT, SHARP, EOL, MFT

SFC: Air Assault, Airborne, MRT, SHARP, EOL, MFT, Battle Staff

MSG: Air Assault, Airborne, MRT, MFT, Battle Staff

CSM/SGM: N/A

OTHER INDICATORS

Most-qualified looks like:

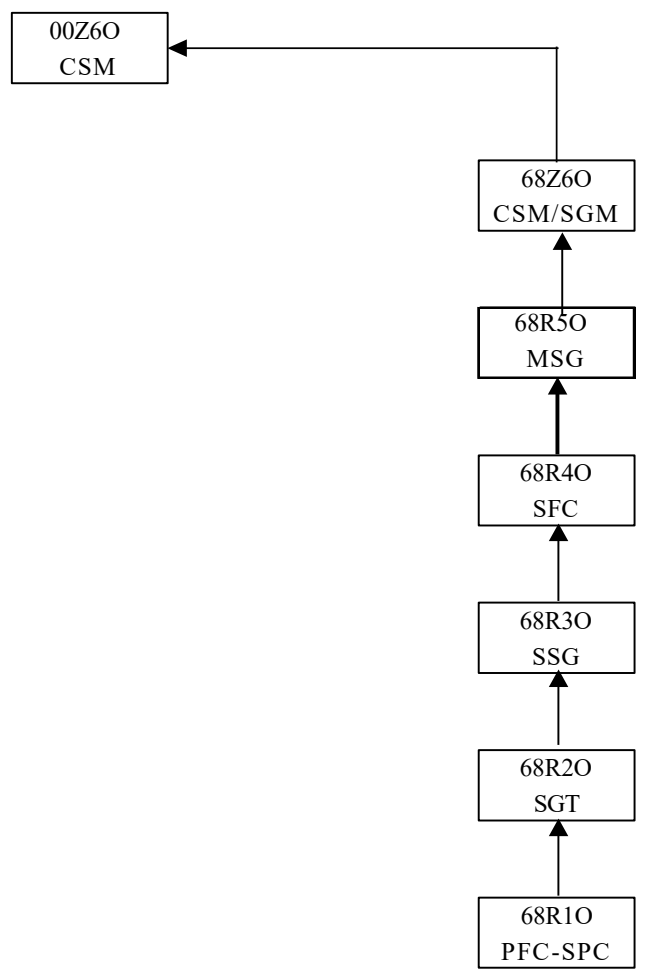
SSG: Active Audie Murphy or SGT Morales Club Member, awarded MOVSM for volunteer service, Army Best Medic Competitor, NCO of the Quarter/Year **(all annotated on NCOER)**

SFC: Active Audie Murphy or SGT Morales Club Member, awarded MOVSM for volunteer service, Army Best Medic Competitor, NCO of the Quarter/Year **(all annotated on NCOER)**

MSG: Award of the Order of Military Medical Merit (Regimental Award), Other Regimental Awards **(annotated on NCOER)**



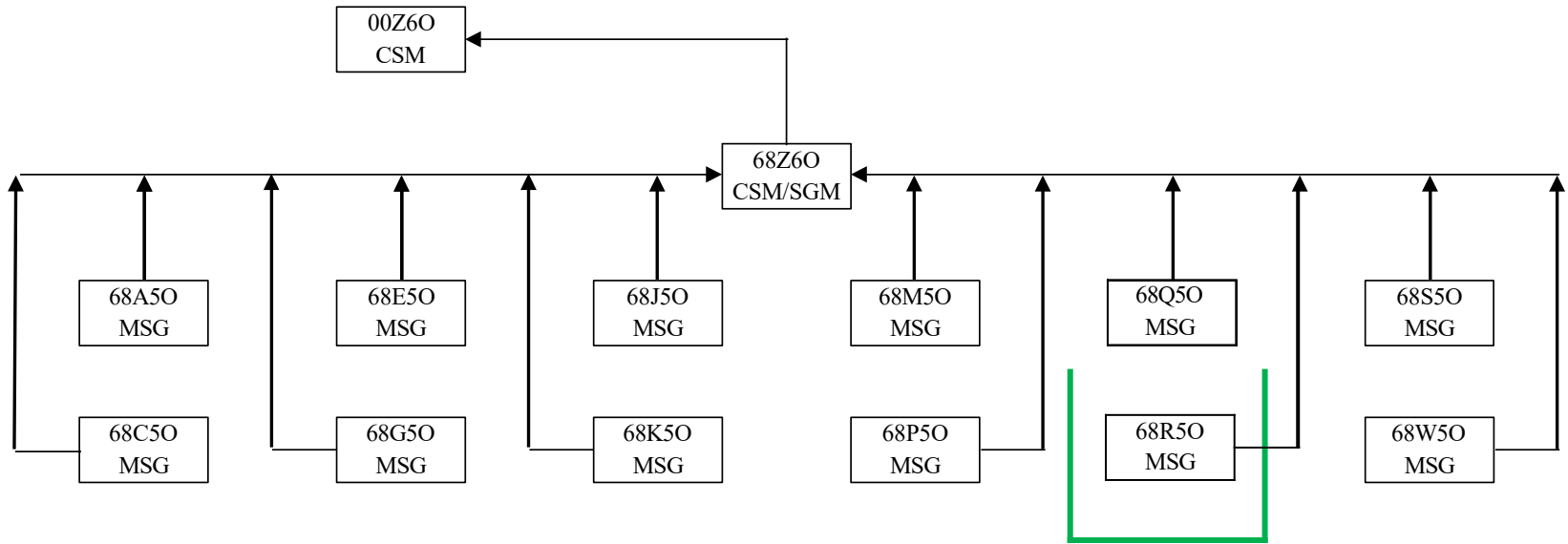
MOS 68R Progression Chart





U.S.ARMY

MOS 68Z Progression Chart





U.S. ARMY

MOS 68R



The Veterinary Food Inspection Specialist supervises the inspection of, or inspects meat, poultry, water foods, eggs, dairy products, operational rations, fresh fruits and vegetables in depots, supply points, and on military installations to assure a safe, high quality food supply for DoD personnel in all environments with emphasis on the field wartime environment.

LEADERSHIP POSITIONS

Most-qualified looks like:

SSG: 18 to 36 months as a Platoon Sergeant, Veterinary Service NCO, Food Inspection NCO

SFC: 18 to 36 months as a Platoon Sergeant, Detachment Sergeant, First Sergeant, Chief Veterinary NCO

MSG: 18 to 36 months as a First Sergeant, Chief Medical NCO, Operations Sergeant Major

CSM/SGM: N/A

Highly qualified looks like:

SSG: Veterinary Service NCO

SFC: Veterinary Service NCO

MSG: Chief Veterinary NCO

CSM/SGM: N/A



U.S. ARMY

MOS 68R



PHYSICAL FITNESS

Most-qualified looks like:

SSG: 270 or above or received the Army Physical Fitness Badge

SFC: 270 or above or received the Army Physical Fitness Badge

MSG: 270 or above or received the Army Physical Fitness Badge

CSM/SGM: N/A

Highly qualified looks like:

SSG: 240 – 269 on APFT

SFC: 240 – 269 on APFT

MSG: 240 – 269 on APFT

MILITARY/CIVILIAN EDUCATION

Most-qualified looks like:

SSG: Exceeded ALC Course Standards, Leadership Award, Distinguished Honor/Honor Graduate, AA Degree

SFC: Exceeded SLC Course Standards, Leadership Award, Distinguished Honor/Honor Graduate, BS Degree

MSG: Exceeded MLC Course Standards, Leadership Award, Distinguished Honor Graduate, MS Degree

Highly qualified looks like:

SSG: Exceeded ALC Course Standards, Commandant's List, >30 semester hours of college

SFC: Exceeded SLC Course Standards, Commandant's List, AA Degree

MSG: Exceeded MLC Course Standards, Commandant's List, >90 semester hours of college towards BS Degree



MOS 68R



ASSIGNMENTS (Broadening and Key Developmental)
PROPONENT SPECIFIC CHALLENGING / HIGH RISK

SSG: Instructor Writer, ALC Small Group Leader, AIT Platoon Sergeant, **Platoon Sergeant**

SFC: Senior Instructor Writer, SLC Small Group Leader, AIT Platoon Sergeant, **Platoon Sergeant, Detachment Sergeant**

MSG: Chief Instructor Writer, **First Sergeant**

CSM/SGM: N/A

Army wide Special Duty Assignments are specific, defined and provided in the Annex to the Board MOI



U.S. ARMY

MOS 68R



TRAINING

Most-qualified looks like:

SSG: EFMB, Certified Professional – Food Safety (CP-FS)

SFC: EFMB, Certified Professional – Food Safety (CP-FS)

MSG: EFMB, Certified Professional – Food Safety (CP-FS)

CSM/SGM: N/A

Highly qualified looks like:

SSG: Air Assault, Airborne, MRT, SHARP, EOL, MFT

SFC: Air Assault, Airborne, MRT, SHARP, EOL, MFT

MSG: Air Assault, Airborne, MRT , MFT

CSM/SGM: N/A

OTHER INDICATORS

Most-qualified looks like:

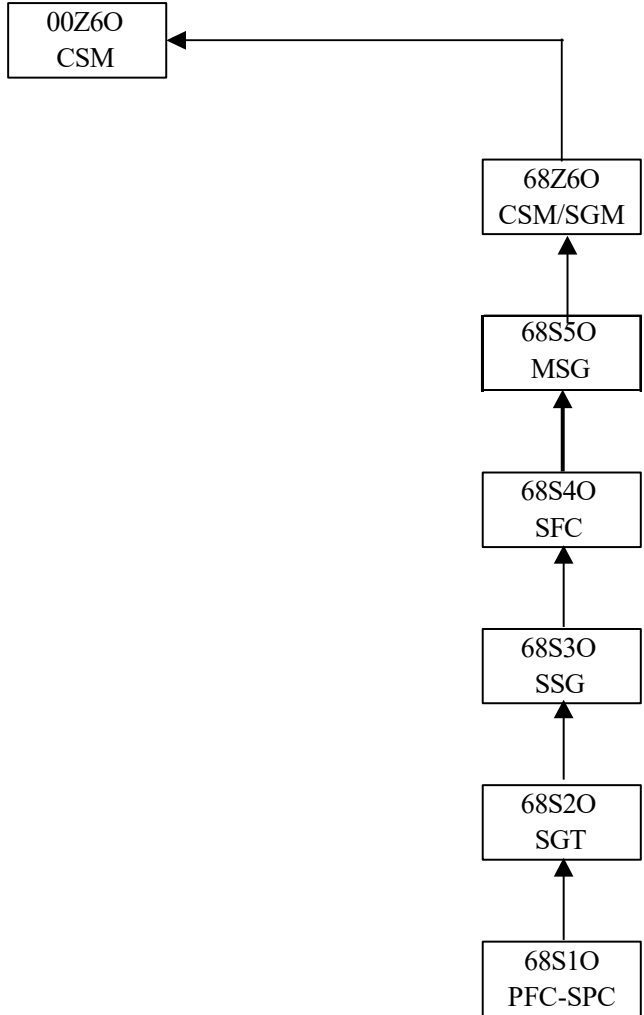
SSG: Active Audie Murphy or SGT Morales Club Member, awarded MOVSM for volunteer service, Army Best Medic Competitor, NCO of the Quarter/Year **(all annotated on NCOER)**

SFC: Active Audie Murphy or SGT Morales Club Member, awarded MOVSM for volunteer service, Army Best Medic Competitor, NCO of the Quarter/Year **(all annotated on NCOER)**

MSG: Award of the Order of Military Medical Merit (Regimental Award), Other Regimental Awards **(annotated on NCOER)**

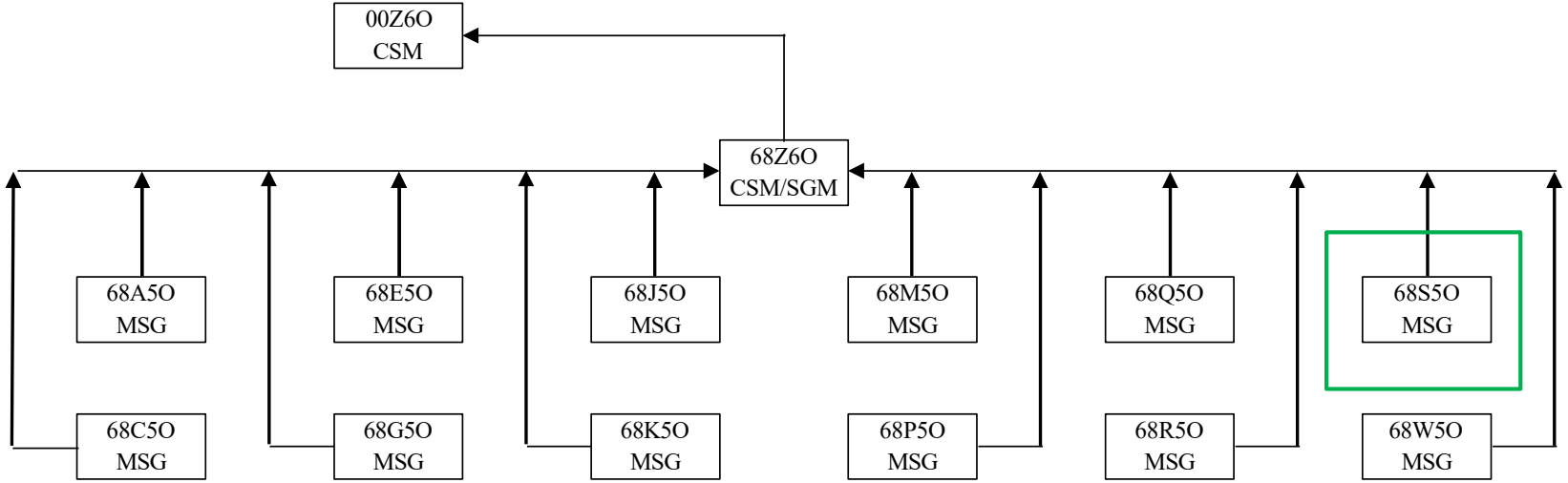


MOS 68S Progression Chart





MOS 68Z Progression Chart





MOS 68S



The Preventive Medicine Specialist conducts or assists with preventive medicine inspections, surveys, control operations and preventive medicine laboratory procedures, supervises preventive medicine facilities, or serves on preventive medicine staff.

LEADERSHIP POSITIONS

Most-qualified looks like:

SSG: 18 to 36 months as a Platoon Sergeant, Preventive Med NCO, Health Physics NCO

SFC: 18 to 36 months as a Platoon Sergeant, Detachment Sergeant, Preventive Med NCO

MSG: 18 to 36 months as a First Sergeant, Chief Medical NCO, Operations Sergeant Major

CSM/SGM: N/A

Highly qualified looks like:

SSG: Preventive Med NCO, Health Physics NCO

SFC: Preventive Med NCO

MSG: Preventive Med NCO

CSM/SGM: N/A



U.S. ARMY

MOS 68S



PHYSICAL FITNESS

Most-qualified looks like:

SSG: 270 or above or received the Army Physical Fitness Badge

SFC: 270 or above or received the Army Physical Fitness Badge

MSG: 270 or above or received the Army Physical Fitness Badge

CSM/SGM: N/A

Highly qualified looks like:

SSG: 240 – 269 on APFT

SFC: 240 – 269 on APFT

MSG: 240 – 269 on APFT

MILITARY/CIVILIAN EDUCATION

Most-qualified looks like:

SSG: Exceeded ALC Course Standards, Leadership Award, Distinguished Honor/Honor Graduate, AA Degree

SFC: Exceeded SLC Course Standards, Leadership Award, Distinguished Honor/Honor Graduate, BS Degree

MSG: Exceeded MLC Course Standards, Leadership Award, Distinguished Honor Graduate, MS Degree

Highly qualified looks like:

SSG: Exceeded ALC Course Standards, Commandant's List, >30 semester hours of college

SFC: Exceeded SLC Course Standards, Commandant's List, AA Degree

MSG: Exceeded MLC Course Standards, Commandant's List, >90 semester hours of college towards BS Degree



MOS 68S



ASSIGNMENTS (Broadening and Key Developmental)
PROPONENT SPECIFIC CHALLENGING / HIGH RISK

SSG: Instructor Writer, ALC Small Group Leader, AIT Platoon Sergeant, **Platoon Sergeant**

SFC: Senior Instructor Writer, SLC Small Group Leader, AIT Platoon Sergeant, **Platoon Sergeant, Detachment Sergeant**

MSG: Chief Instructor Writer, Inspector General NCO, **First Sergeant**

CSM/SGM: N/A

Army wide Special Duty Assignments are specific, defined and provided in the Annex to the Board MOI



U.S. ARMY

MOS 68S



TRAINING

Most-qualified looks like:

SSG: EFMB, Registered Environmental Health Specialist

SFC: EFMB, Registered Environmental Health Specialist

MSG: EFMB, Registered Environmental Health Specialist

CSM/SGM: N/A

Highly qualified looks like:

SSG: Air Assault, Airborne, MRT, SHARP, EOL, MFT

SFC: Air Assault, Airborne, MRT, SHARP, EOL, MFT, Battle Staff

MSG: Air Assault, Airborne, MRT, MFT, Battle Staff

CSM/SGM: N/A

OTHER INDICATORS

Most-qualified looks like:

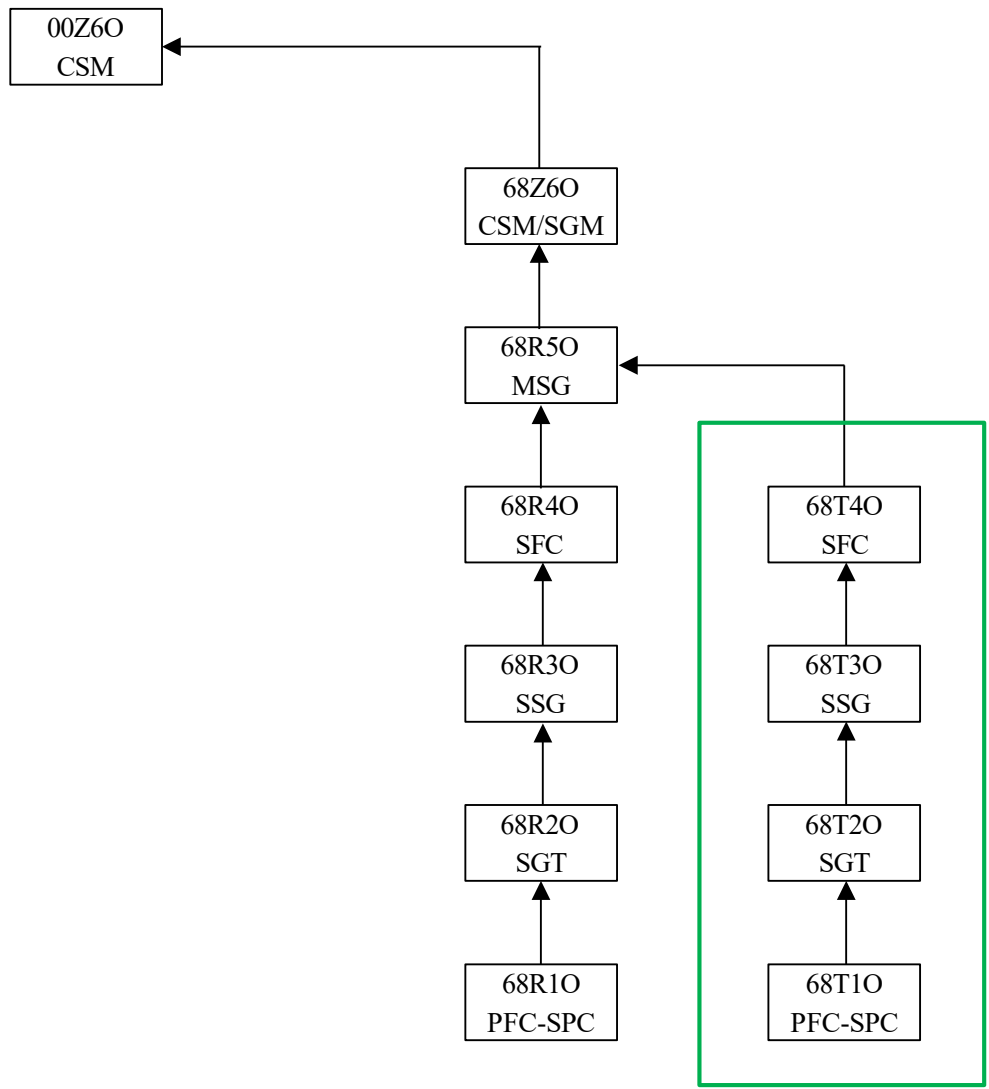
SSG: Active Audie Murphy or SGT Morales Club Member, awarded MOVSM for volunteer service, Army Best Medic Competitor, NCO of the Quarter/Year **(all annotated on NCOER)**

SFC: Active Audie Murphy or SGT Morales Club Member, awarded MOVSM for volunteer service, Army Best Medic Competitor, NCO of the Quarter/Year **(all annotated on NCOER)**

MSG: Award of the Order of Military Medical Merit (Regimental Award), Other Regimental Awards **(annotated on NCOER)**

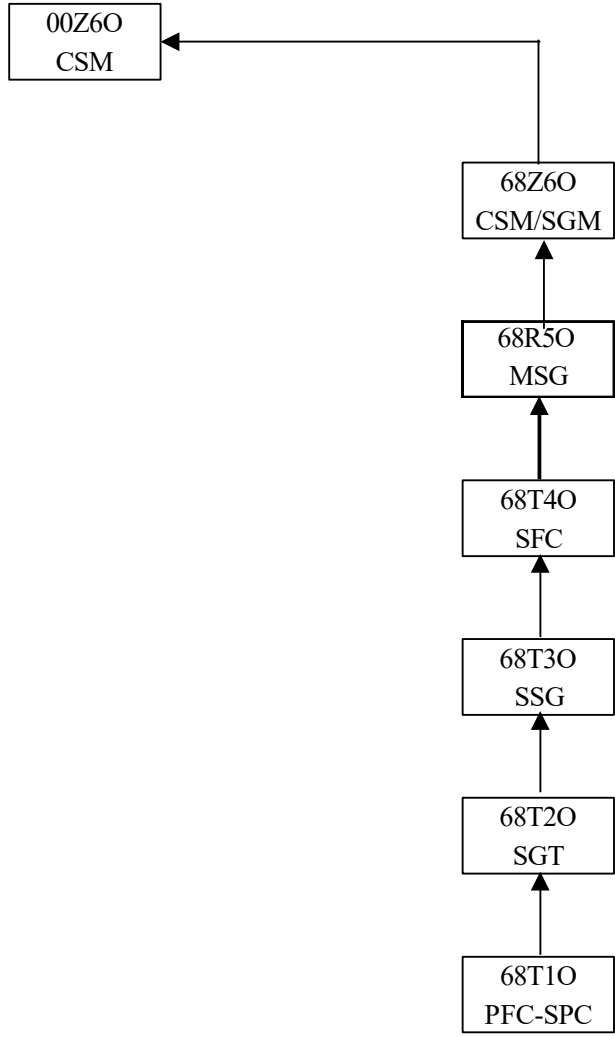


MOS 68T Progression Chart





MOS 68T Progression Chart





U.S. ARMY

MOS 68T



The Animal Care Specialist supervises or provides the care, management, treatment, and sanitary conditions for animals, with a primary responsibility of prevention and control of diseases transmitted from animal to man and comprehensive care for government owned animals.

LEADERSHIP POSITIONS

Most-qualified looks like:

SSG: 18 to 36 months as a Platoon Sergeant, Animal Care NCO, Veterinary Ops NCO

SFC: 18 to 36 months as a Platoon Sergeant, Detachment Sergeant, First Sergeant

MSG: N/A

Highly qualified looks like:

SSG: Animal Care NCO, Veterinary Ops NCO

SFC: Animal Care NCO, Veterinary Ops NCO

MSG: N/A



U.S. ARMY

MOS 68T



PHYSICAL FITNESS

Most-qualified looks like:

SSG: 270 or above or received the Army Physical Fitness Badge

SFC: 270 or above or received the Army Physical Fitness Badge

MSG: N/A

Highly qualified looks like:

SSG: 240 – 269 on APFT

SFC: 240 – 269 on APFT

MSG: N/A

MILITARY/CIVILIAN EDUCATION

Most-qualified looks like:

SSG: Exceeded ALC Course Standards, Leadership Award, Distinguished Honor/Honor Graduate, AA Degree

SFC: Exceeded SLC Course Standards, Leadership Award, Distinguished Honor/Honor Graduate, BS Degree

MSG: N/A

Highly qualified looks like:

SSG: Exceeded ALC Course Standards, Commandant's List, >30 semester hours of college

SFC: Exceeded SLC Course Standards, Commandant's List, AA Degree

MSG: N/A



MOS 68T



ASSIGNMENTS (Broadening and Key Developmental)
PROPONENT SPECIFIC CHALLENGING / HIGH RISK

SSG: Instructor Writer, ALC Small Group Leader, AIT Platoon Sergeant, Platoon Sergeant

SFC: Senior Instructor Writer, SLC Small Group Leader, AIT Platoon Sergeant, Platoon Sergeant, Detachment Sergeant, First Sergeant

MSG: N/A

Army wide Special Duty Assignments are specific, defined and provided in the Annex to the Board MOI



MOS 68T



TRAINING

Most-qualified looks like:

SSG: EFMB, Assistant Laboratory Animal Technician (ALAT) Certification

SFC: EFMB, Assistant Laboratory Animal Technician (ALAT) Certification

MSG: N/A

Highly qualified looks like:

SSG: Air Assault, Airborne, MRT, SHARP, EOL, MFT

SFC: Air Assault, Airborne, MRT, SHARP, EOL, MFT, Battle Staff

MSG: N/A

OTHER INDICATORS

Most-qualified looks like:

SSG: Active Audie Murphy or SGT Morales Club Member, awarded MOVSM for volunteer service, Army Best Medic Competitor, NCO of the Quarter/Year (**all annotated on NCOER**)

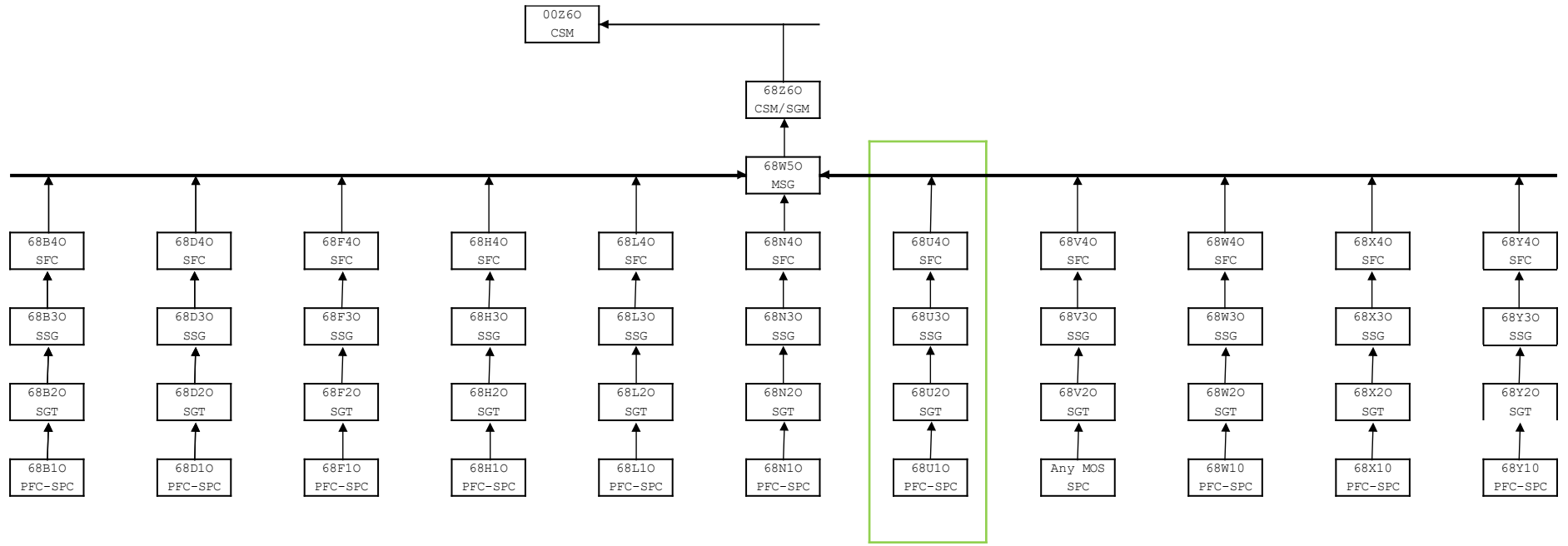
SFC: Active Audie Murphy or SGT Morales Club Member, awarded MOVSM for volunteer service, Army Best Medic Competitor, NCO of the Quarter/Year (**all annotated on NCOER**)

MSG: N/A



U.S.ARMY

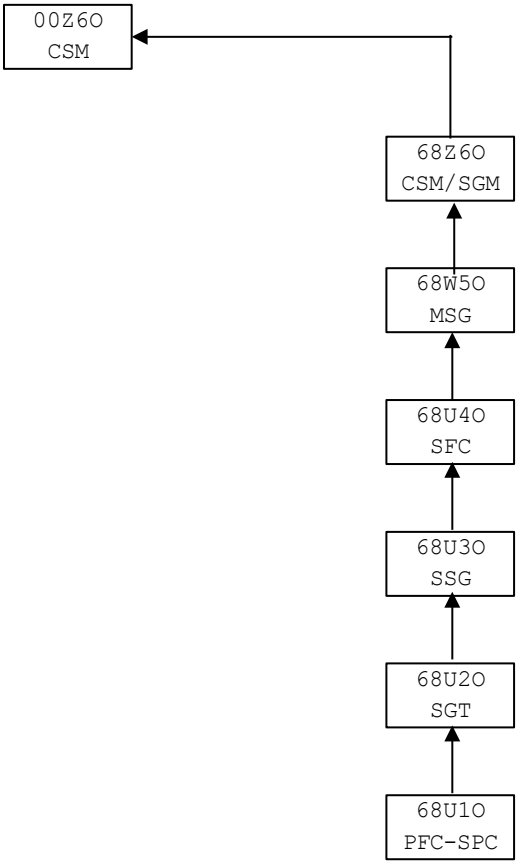
MOS 68U Progression Chart





U.S.ARMY

MOS 68U Progression Chart





U.S. ARMY

MOS 68U



The Ear, Nose, and Throat (ENT) Specialist supervises or conducts routine diagnostic tests and assists in the care and treatment of ENT and Audiology patients.

LEADERSHIP POSITIONS

Most-qualified looks like:

- SSG: 18 to 36 months as a Platoon Sergeant, ENT NCO
- SFC: 18 to 36 months as a Platoon Sergeant, Detachment Sergeant, First Sergeant
- MSG: N/A

Highly qualified looks like:

- SSG: ENT SGT
- SFC: ENT NCO
- MSG: N/A



U.S. ARMY

MOS 68U



PHYSICAL FITNESS

Most-qualified looks like:

SSG: 270 or above or received the Army Physical Fitness Badge

SFC: 270 or above or received the Army Physical Fitness Badge

MSG: N/A

Highly qualified looks like:

SSG: 240 – 269 on APFT

SFC: 240 – 269 on APFT

MSG: N/A

MILITARY/CIVILIAN EDUCATION

Most-qualified looks like:

SSG: Exceeded ALC Course Standards, Leadership Award, Distinguished Honor/Honor Graduate, AA Degree

SFC: Exceeded SLC Course Standards, Leadership Award, Distinguished Honor/Honor Graduate, BS Degree

MSG: N/A

Highly qualified looks like:

SSG: Exceeded ALC Course Standards, Commandant's List, >30 semester hours of college

SFC: Exceeded SLC Course Standards, Commandant's List, AA Degree

MSG: N/A



MOS 68U



ASSIGNMENTS (Broadening and Key Developmental)
PROPONENT SPECIFIC CHALLENGING / HIGH RISK

SSG: Instructor/Writer, ALC Small Group Leader, AIT Platoon Sergeant, **Platoon Sergeant**

SFC: Senior Instructor/Writer, SLC Small Group Leader, AIT Platoon Sergeant, **Detachment Sergeant,**
First Sergeant

MSG: N/A

Army wide Special Duty Assignments are specific, defined and provided in
the Annex to the Board MOI



MOS 68U



TRAINING

Most-qualified looks like:

SSG: EFMB, Occupational Hearing Conservationist (OHC)

SFC: EFMB, Occupational Hearing Conservationist (OHC)

MSG: N/A

Highly qualified looks like:

SSG: Air Assault, Airborne, MRT, SHARP, EOL, MFT

SFC: Air Assault, Airborne, MRT, SHARP, EOL, MFT, Battle Staff

MSG: N/A

OTHER INDICATORS

Most-qualified looks like:

SSG: Active Audie Murphy or SGT Morales Club Member, awarded MOVSM for volunteer service, Army Best Medic Competitor, NCO of the Quarter/Year (**all annotated on NCOER**)

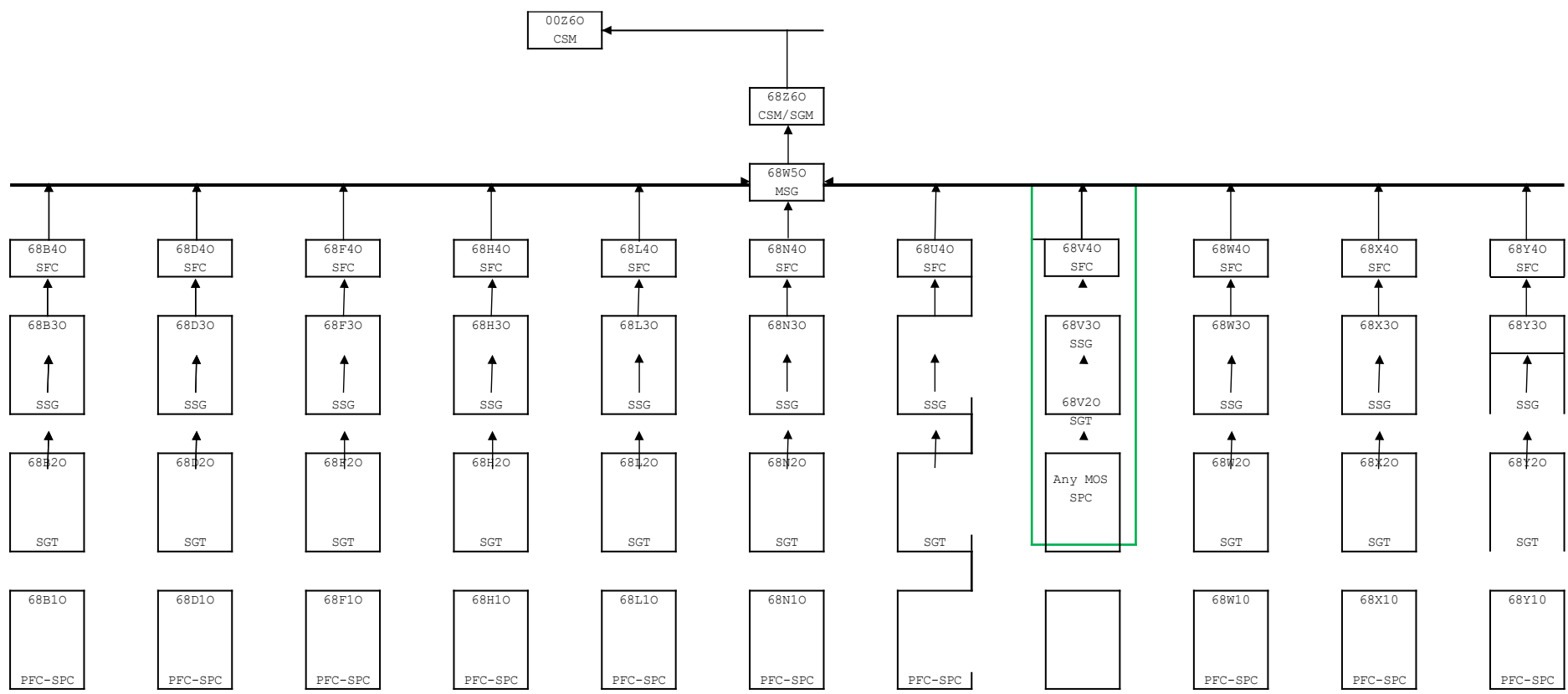
SFC: Active Audie Murphy or SGT Morales Club Member, awarded MOVSM for volunteer service, Army Best Medic Competitor, NCO of the Quarter/Year (**all annotated on NCOER**)

MSG: N/A



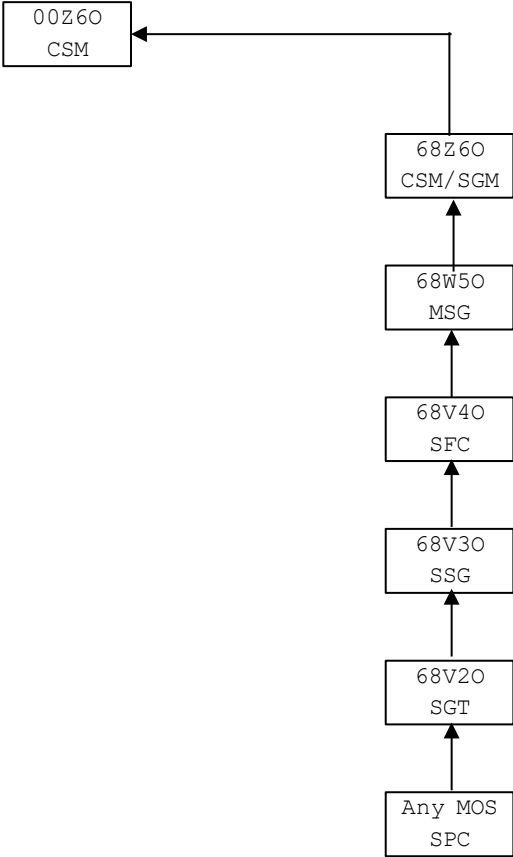
U.S. ARMY

MOS 68V Progression Chart





MOS 68V Progression Chart





U.S. ARMY

MOS 68V



The respiratory specialist assists the physician in the care, examination and treatment of acute and chronic diseases of the respiratory and cardiac region or assists with the management of the respiratory care areas at both the general and intensive care areas.

LEADERSHIP POSITIONS

Most-qualified looks like:

SSG: 18 to 36 months as a Platoon Sergeant, Senior Respiratory NCO

SFC: 18 to 36 months as a Detachment Sergeant, First Sergeant

MSG: N/A

Highly qualified looks like:

SSG: Respiratory NCO

SFC: Senior Respiratory NCO

MSG: N/A



MOS 68V



PHYSICAL FITNESS

Most-qualified looks like:

SSG: 270 or above or received the Army Physical Fitness Badge

SFC: 270 or above or received the Army Physical Fitness Badge

MSG: N/A

Highly qualified looks like:

SSG: 240 – 269 on APFT

SFC: 240 – 269 on APFT

MSG: N/A

MILITARY/CIVILIAN EDUCATION

Most-qualified looks like:

SSG: Exceeded ALC Course Standards, Leadership Award, Distinguished Honor/Honor Graduate, BS Degree

SFC: Exceeded SLC Course Standards, Leadership Award, Distinguished Honor/Honor Graduate, BS Degree

MSG: N/A

Highly qualified looks like:

SSG: Exceeded ALC Course Standards, Commandant's List, AA Degree

SFC: Exceeded SLC Course Standards, Commandant's List, >90 semester hours of college towards BS

MSG: N/A



MOS 68V



ASSIGNMENTS (Broadening and Key Developmental)
PROPONENT SPECIFIC CHALLENGING / HIGH RISK

SSG: Instructor Writer, ALC Small Group Leader, AIT Platoon Sergeant, **Platoon Sergeant**

SFC: Senior Instructor Writer, SLC Small Group Leader, AIT Platoon Sergeant, **Detachment Sergeant, First Sergeant**

MSG: N/A

Army wide Special Duty Assignments are specific, defined and provided in the Annex to the Board MOI



MOS 68V



TRAINING

Most-qualified looks like:

SSG: EFMB, Registered Respiratory Therapist (RRT)

SFC: EFMB, Registered Respiratory Therapist (RRT)

MSG: N/A

Highly qualified looks like:

SSG: Air Assault, Airborne, MRT, SHARP, EOL, MFT

SFC: Air Assault, Airborne, MRT, SHARP, EOL, MFT, Battle Staff

MSG: N/A

OTHER INDICATORS

Most-qualified looks like:

SSG: Active Audie Murphy or SGT Morales Club Member, awarded MOVSM for volunteer service, Army Best Medic Competitor, NCO of the Quarter/Year **(all annotated on NCOER)**

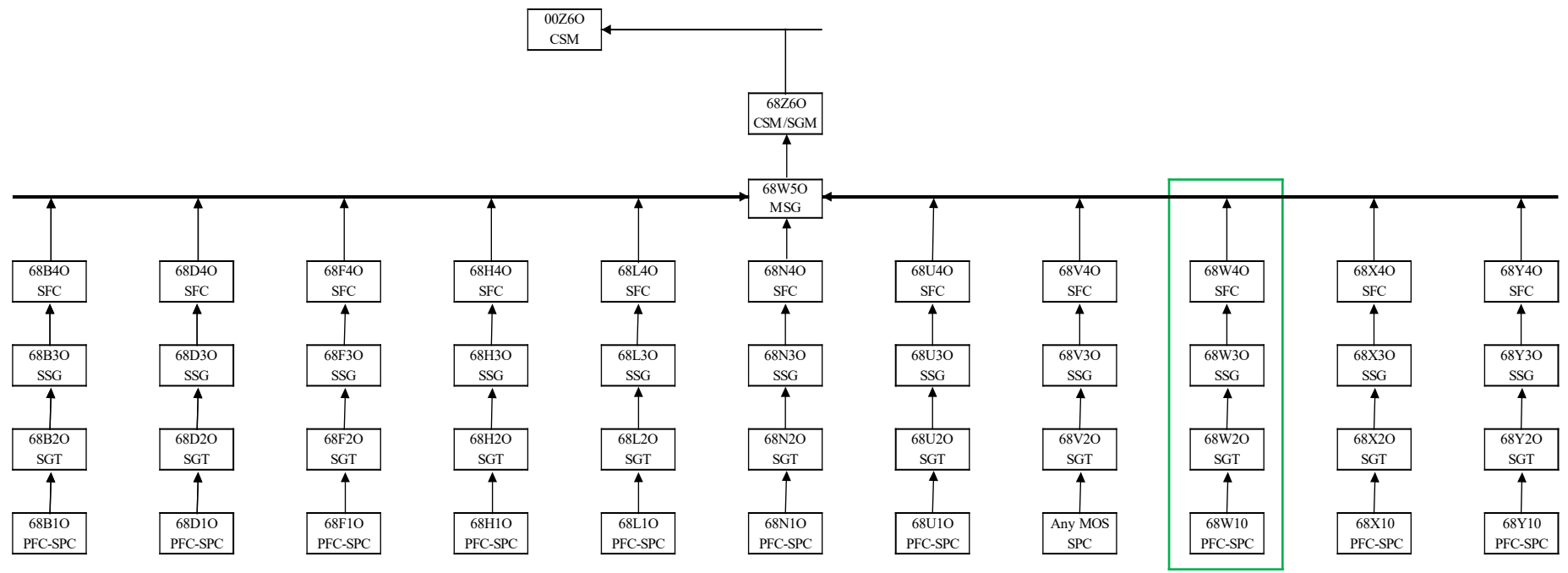
SFC: Active Audie Murphy or SGT Morales Club Member, awarded MOVSM for volunteer service, Army Best Medic Competitor, NCO of the Quarter/Year **(all annotated on NCOER)**

MSG: N/A



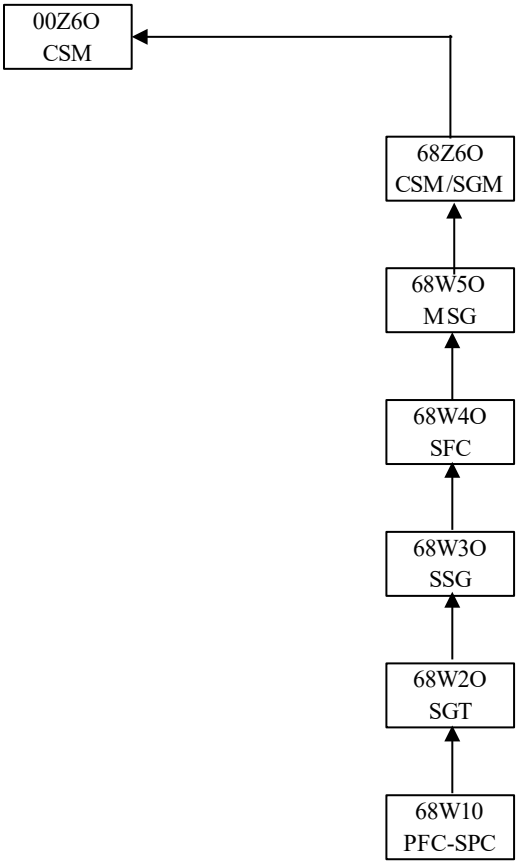
U.S. ARMY

MOS 68W Progression Chart



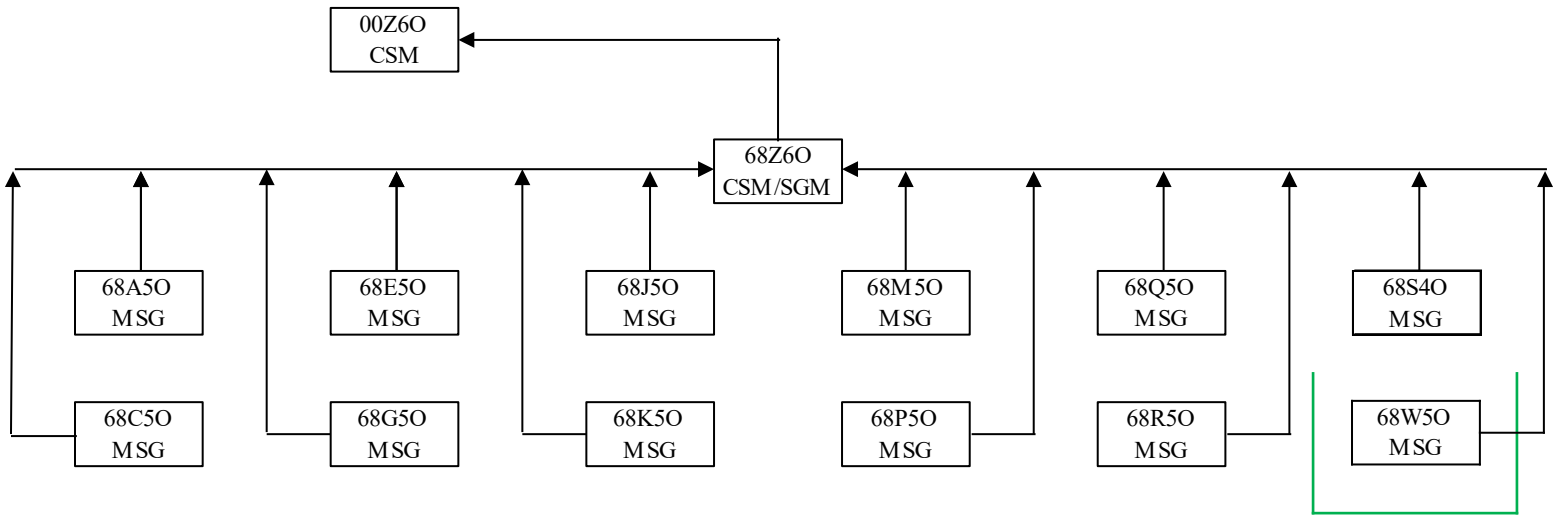


MOS 68W Progression Chart





MOS 68Z Progression Chart





MOS 68W



The combat medic specialist provides emergency medical treatment, limited primary care, force health protection, evacuation in a variety of operational and clinical settings from point of injury or illness through the continuum of military health care and, as a field combat medic, provides emergency medical care/treatment at point of wounding on the battlefield or to battle and non-battle casualties during wartime.

LEADERSHIP POSITIONS

Most-qualified looks like:

- SSG: 18 to 36 months as a Detachment Sergeant, Platoon Sergeant
- SFC: 18 to 36 months as a First Sergeant, Senior Health Care NCO
- MSG: 18 to 36 months as a First Sergeant, Chief Medical NCO, Operations SGM
- CSM/SGM: N/A

Highly qualified looks like:

- SSG: Health Care Sergeant, Emergency Care Sergeant, Section NCO, Medical NCO, Flight Paramedic NCO, Wardmaster
- SFC: Platoon Sergeant, Detachment Sergeant, Clinic NCO, Health Care NCO, Emergency Care NCO, Operations Sergeant, Intelligence Sergeant, Plans Sergeant, Civil Affairs Medical Operations Sergeant, Immunology-Allergy NCO
- MSG: First Sergeant, Senior Health Care NCO, Operations NCO, Intelligence Medical Sergeant, Plans NCO, Senior Advisor, Senior Civil Affairs Medical Sergeant, Civil Affairs Medical Operations Sergeant
- CSM/SGM: N/A



U.S. ARMY

MOS 68W



PHYSICAL FITNESS

Most-qualified looks like:

SSG: 270 or above or received the Army Physical Fitness Badge

SFC: 270 or above or received the Army Physical Fitness Badge

MSG: 270 or above or received the Army Physical Fitness Badge

CSM/SGM: N/A

Highly qualified looks like:

SSG: 240 – 269 on APFT

SFC: 240 – 269 on APFT

MSG: 240 – 269 on APFT

CSM/SGM: N/A

MILITARY/CIVILIAN EDUCATION

Most-qualified looks like:

SSG: Exceeded ALC Course Standards, Leadership Award, Distinguished Honor/Honor Graduate, AA Degree

SFC: Exceeded SLC Course Standards, Leadership Award, Distinguished Honor/Honor Graduate, >90 semester hours of college towards BS

MSG: Exceeded MLC Course Standards, Leadership Award, Distinguished Honor Graduate, BS Degree

Highly qualified looks like:

SSG: Exceeded ALC Course Standards, Commandant's List, >30 semester hours of college

SFC: Exceeded SLC Course Standards, Commandant's List, AA Degree

MSG: Exceeded MLC Course Standards, Commandant's List, >90 semester hours of college towards BS Degree



MOS 68W



ASSIGNMENTS (Broadening and Key Developmental)
PROPONENT SPECIFIC CHALLENGING / HIGH RISK

SSG: Security Forces Assistance Brigade Health Care NCO, Project Warrior NCO, Instructor/Writer, ALC Small Group Leader, AIT Platoon Sergeant, **Detachment Sergeant, Platoon Sergeant**

SFC: Security Forces Assistance Brigade Senior Health Care NCO, Project Warrior NCO, SLC Small Group Leader, AIT Senior Platoon Sergeant, Inspector General NCO, Equal Opportunity Advisor, Senior Training Developer/Writer, Instructor/Writer, Career Advisor, **Detachment Sergeant, Platoon Sergeant, Operations Sergeant**

MSG: Project Warrior NCO, Inspector General NCO, Equal Opportunity Advisor, Senior Career Management NCO, **First Sergeant, Senior Health Care NCO, Operations NCO**

CSM/SGM: N/A

Army wide Special Duty Assignments are specific, defined and provided in the Annex to the Board MOI



U.S. ARMY

MOS 68W



TRAINING

Most-qualified looks like:

SSG: EFMB, Nationally Registered Paramedic, Ranger, Special Operations Combat Medic (ASI W1), Civil Affairs Medical Sergeant (ASI W2), Jumpmaster

SFC: EFMB, Nationally Registered Paramedic, Ranger, Special Operations Combat Medic (ASI W1), Civil Affairs Medical Sergeant (ASI W2), Jumpmaster

MSG: EFMB, Nationally Registered Paramedic, Ranger, Special Operations Combat Medic (ASI W1), Jumpmaster

Highly qualified looks like:

SSG: Air Assault, Airborne, Advanced EMT, MRT, SHARP, EOL, MFT

SFC: Air Assault, Airborne, Advanced EMT, SHARP, EOL, MFT, Battle Staff

MSG: Air Assault, Airborne, Advanced EMT, MRT, MFT, Battle Staff

OTHER INDICATORS

Most-qualified looks like:

SSG: Active Audie Murphy or SGT Morales Club Member, awarded MOVSM for volunteer service, Army Best Medic Competitor, NCO of the Quarter/Year (**all annotated on NCOER**)

SFC: Active Audie Murphy or SGT Morales Club Member, awarded MOVSM for volunteer service, Army Best Medic Competitor, NCO of the Quarter/Year (**all annotated on NCOER**)

MSG: Award of the Order of Military Medical Merit (Regimental Award), Other Regimental Awards (**annotated on NCOER**)



MOS 68W



FULLY-QUALIFIED (MANDATORY)

Established requirements from Federal/ DoD/Legislative Authorities

SSG: Nationally Registered Emergency Medical Technician (Basic), National Registry of Emergency Medical Technicians

SFC: Nationally Registered Emergency Medical Technician (Basic), National Registry of Emergency Medical Technicians

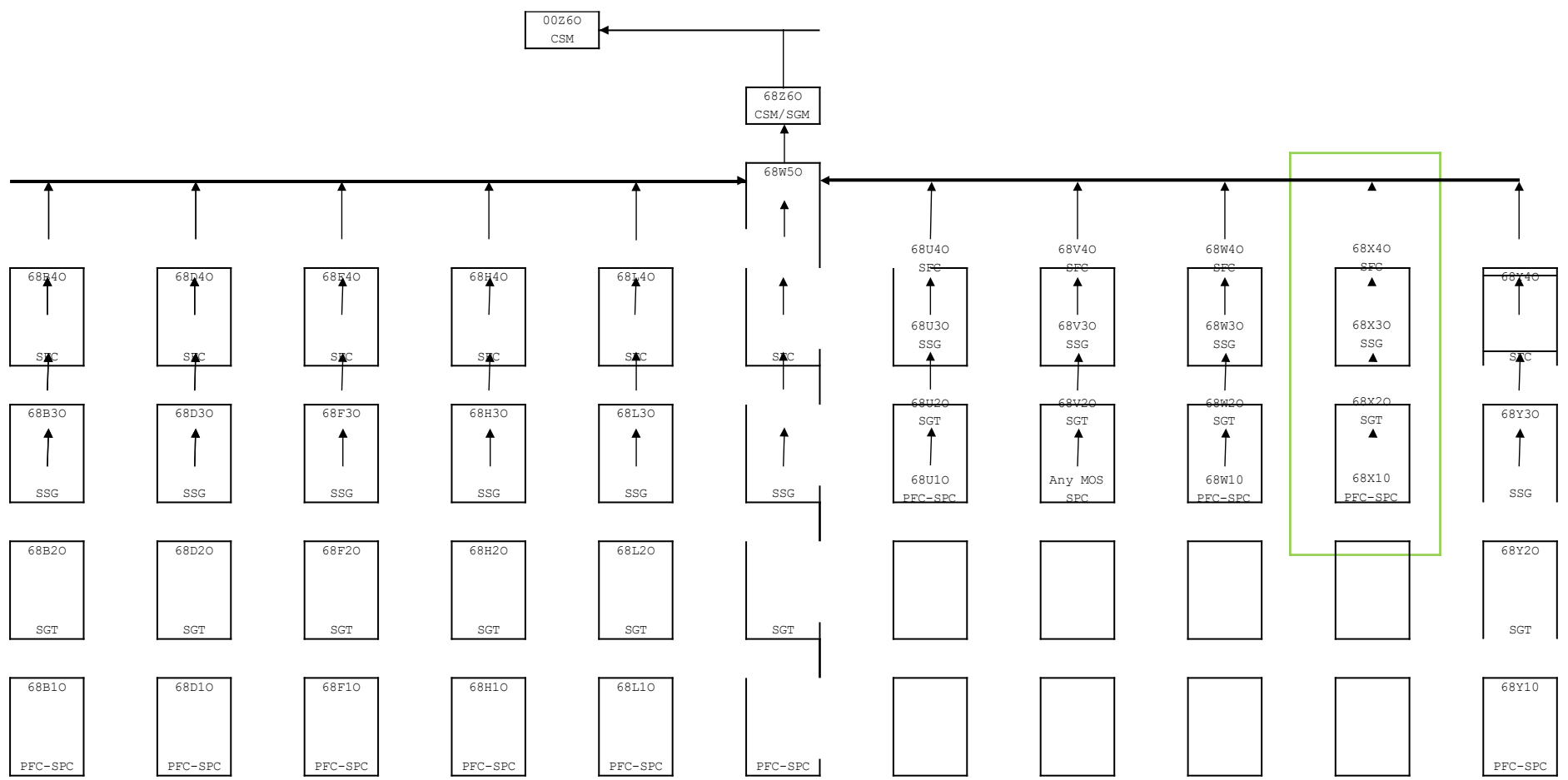
MSG: N/A

CSM/SGM: N/A



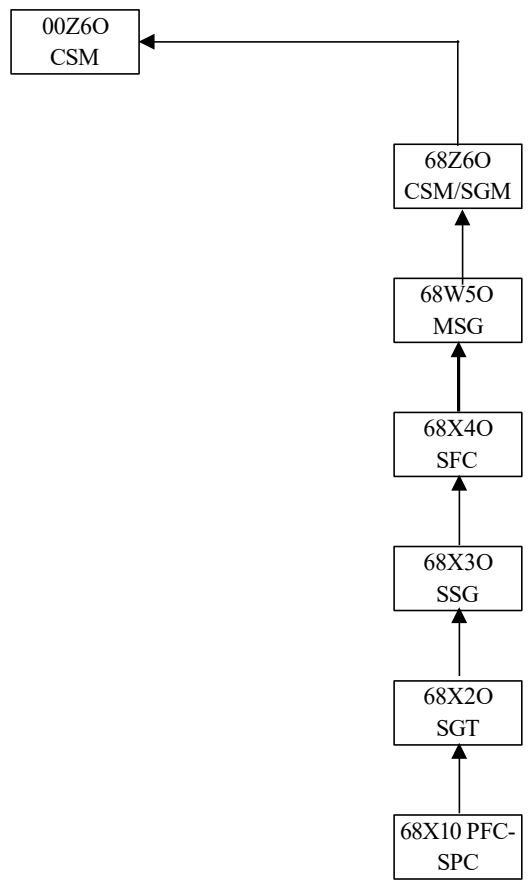
U.S. ARMY

MOS 68X Progression Chart





MOS 68X Progression Chart





MOS 68X



The Behavioral Health Specialist, under the supervision of a psychiatrist, social worker, psychiatric nurse, psychologist, assists with the management and treatment in/out-patient mental health activities, during peace time or mobilization; collects and records psychosocial and physical data; counsels and treats clients/patients with personal, behavioral or mental health problems.

LEADERSHIP POSITIONS

Most-qualified looks like:

- SSG: 18 to 36 months as a Platoon Sergeant, Behavioral Health NCO
- SFC: 18 to 36 months as a Platoon Sergeant, Detachment Sergeant, First Sergeant
- MSG: N/A

Highly qualified looks like:

- SSG: Behavioral Health NCO
- SFC: Behavioral Health NCO
- MSG: N/A



U.S. ARMY

MOS 68X



PHYSICAL FITNESS

Most-qualified looks like:

SSG: 270 or above or received the Army Physical Fitness Badge

SFC: 270 or above or received the Army Physical Fitness Badge

MSG: N/A

Highly qualified looks like:

SSG: 240 – 269 on APFT

SFC: 240 – 269 on APFT

MSG: N/A

MILITARY/CIVILIAN EDUCATION

Most-qualified looks like:

SSG: Exceeded ALC Course Standards, Leadership Award, Distinguished Honor/Honor Graduate, AA Degree

SFC: Exceeded SLC Course Standards, Leadership Award, Distinguished Honor/Honor Graduate, BS Degree

MSG: N/A

Highly qualified looks like:

SSG: Exceeded ALC Course Standards, Commandant's List, >30 semester hours of college

SFC: Exceeded SLC Course Standards, Commandant's List, AA Degree

MSG: N/A



MOS 68X



ASSIGNMENTS (Broadening and Key Developmental)
PROPONENT SPECIFIC CHALLENGING / HIGH RISK

SSG: Instructor Writer, ALC Small Group Leader, AIT Platoon Sergeant, **Platoon Sergeant**

SFC: Sexual Assault Response Coordinator, Instructor Writer, SLC Small Group Leader, AIT Platoon Sergeant, **Detachment Sergeant, First Sergeant**

MSG: N/A

Army wide Special Duty Assignments are specific, defined and provided in the Annex to the Board MOI



U.S. ARMY

MOS 68X



TRAINING

Most-qualified looks like:

SSG: EFMB, National Certified Psychiatric Technician

SFC: EFMB, National Certified Psychiatric Technician

MSG: N/A

Highly qualified looks like:

SSG: Air Assault, Airborne, MRT, SHARP, EOL, MFT

SFC: Air Assault, Airborne, MRT, SHARP, EOL, MFT, Battle Staff

MSG: N/A

OTHER INDICATORS

Most-qualified looks like:

SSG: Active Audie Murphy or SGT Morales Club Member, awarded MOVSM for volunteer service, Army Best Medic Competitor, NCO of the Quarter/Year (**all annotated on NCOER**)

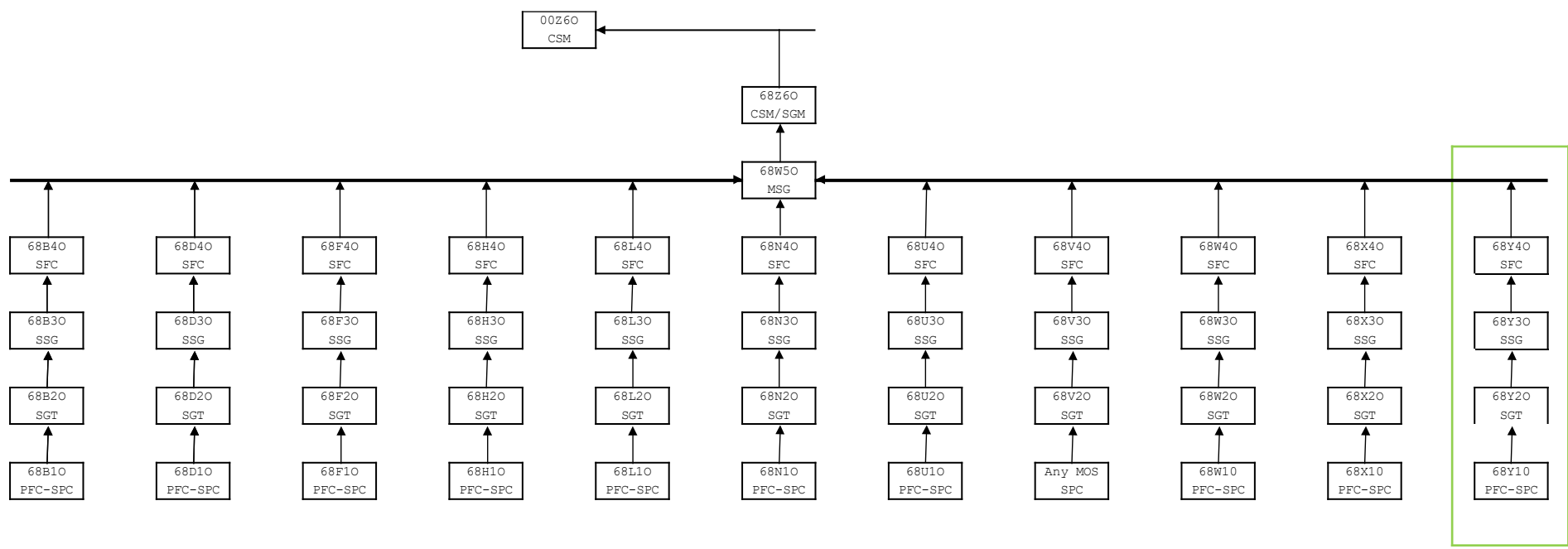
SFC: Active Audie Murphy or SGT Morales Club Member, awarded MOVSM for volunteer service, Army Best Medic Competitor, NCO of the Quarter/Year (**all annotated on NCOER**)

MSG: N/A



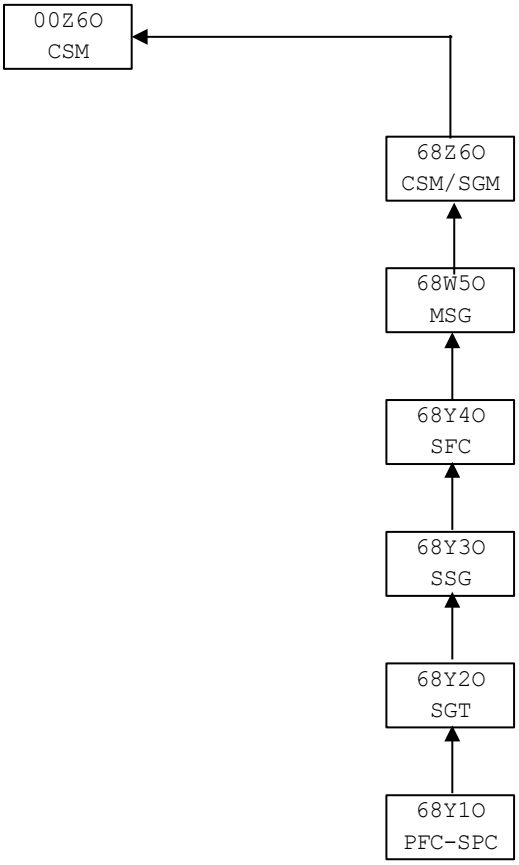
U.S. ARMY

MOS 68Y Progression Chart





MOS 68Y Progression Chart





U.S. ARMY

MOS 68Y



The Eye Specialist supervises or conducts routine diagnostic tests and assists in the care and treatment of ophthalmology or optometry patients.

LEADERSHIP POSITIONS

Most-qualified looks like:

SSG: 18 to 36 months as a Platoon Sergeant, Eye NCO

SFC: 18 to 36 months as a Platoon Sergeant, Detachment Sergeant, First Sergeant

MSG: N/A

Highly qualified looks like:

SSG: Eye SGT

SFC: Eye NCO

MSG: N/A



MOS 68Y



PHYSICAL FITNESS

Most-qualified looks like:

SSG: 270 or above or received the Army Physical Fitness Badge

SFC: 270 or above or received the Army Physical Fitness Badge

MSG: N/A

Highly qualified looks like:

SSG: 240 – 269 on APFT

SFC: 240 – 269 on APFT

MSG: N/A

MILITARY/CIVILIAN EDUCATION

Most-qualified looks like:

SSG: Exceeded ALC Course Standards, Leadership Award, Distinguished Honor/Honor Graduate, AA Degree

SFC: Exceeded SLC Course Standards, Leadership Award, Distinguished Honor/Honor Graduate, BS Degree

MSG: N/A

Highly qualified looks like:

SSG: Exceeded ALC Course Standards, Commandant's List, >30 semester hours of college

SFC: Exceeded SLC Course Standards, Commandant's List, AA Degree

MSG: N/A



MOS 68Y



ASSIGNMENTS (Broadening and Key Developmental)
PROPONENT SPECIFIC CHALLENGING / HIGH RISK

SSG: Instructor Writer, ALC Small Group Leader, AIT Platoon Sergeant, **Platoon Sergeant**

SFC: Senior Instructor Writer, SLC Small Group Leader, AIT Platoon Sergeant, **Detachment Sergeant, First Sergeant**

MSG: N/A

Army wide Special Duty Assignments are specific, defined and provided in the Annex to the Board MOI



MOS 68Y



TRAINING

Best-qualified looks like:

- SSG: EFMB, Certified Ophthalmic Assistant (COA)
- SFC: EFMB, Certified Ophthalmic Assistant (COA)
- MSG: N/A

Highly qualified looks like:

- SSG: Air Assault, Airborne, MRT, SHARP, EOL, MFT
- SFC: Air Assault, Airborne, MRT, SHARP, EOL, MFT, Battle Staff
- MSG: N/A

OTHER INDICATORS

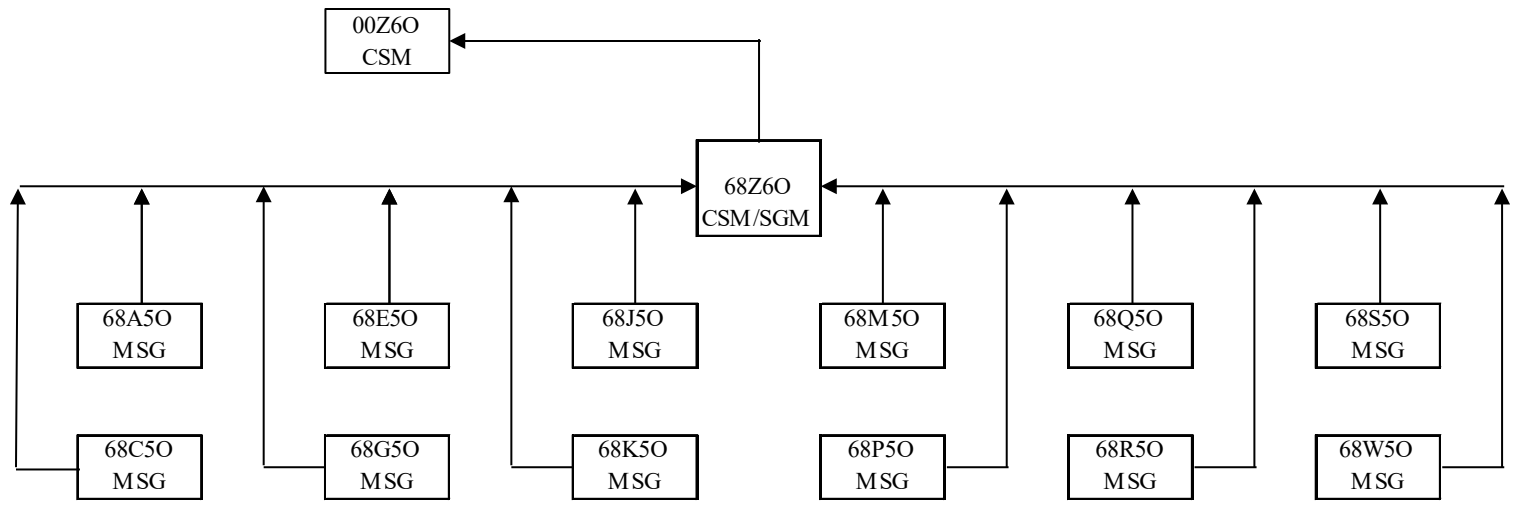
Best-qualified looks like:

- SSG: Active Audie Murphy or SGT Morales Club Member, awarded MOVSM for volunteer service, Army Best Medic Competitor, NCO of the Quarter/Year **(all annotated on NCOER)**
- SFC: Active Audie Murphy or SGT Morales Club Member, awarded MOVSM for volunteer service, Army Best Medic Competitor, NCO of the Quarter/Year **(all annotated on NCOER)**
- MSG: N/A



U.S.ARMY

MOS 68Z Progression Chart





MOS 68Z



1. The chief medical NCO is the principal non-commissioned officer who supervises, and performs related duties as the senior advisor to Commanders, Directors, and Chiefs of Departments and staff agencies on all matters pertaining to enlisted personnel. They perform these duties in multifunctional medical treatment facilities and medical staff activities, or in medical units formed under the Table of Organization and Equipment (TOE), or Table of Distribution and Allowances (TDA) concept.
2. The chief medical NCO must be qualified in one of the following twelve MOS (68A, 68C, 68E, 68G, 68J, 68K, 68M, 68P, 68Q, 68R, 68S, and 68W) at the grade of MSG.

LEADERSHIP POSITIONS

Most-qualified looks like:

MSG: see respective MOS supplement (68A, 68C, 68E, 68G, 68J, 68K, 68M, 68P, 68Q, 68R, 68S, and 68W)

CSM/SGM: Chief Medical NCO, Operations SGM, Command Sergeant Major

Highly qualified looks like:

MSG: see respective MOS supplement (68A, 68C, 68E, 68G, 68J, 68K, 68M, 68P, 68Q, 68R, 68S, and 68W)

CSM/SGM: Chief Medical NCO, Operations SGM, Command Sergeant Major



MOS 68Z



PHYSICAL FITNESS

Most-qualified looks like:

MSG: 270 or above or received the Army Physical Fitness Badge
CSM/SGM: 270 or above or received the Army Physical Fitness Badge

Highly qualified looks like:

MSG: 240 – 269 on APFT
CSM/SGM: 240 – 269 on APFT

MILITARY/CIVILIAN EDUCATION

Most-qualified looks like:

MSG: Exceeded MLC Course Standards, Leadership Award, Distinguished Honor/Honor Graduate, Masters Degree
CSM/SGM: Exceeded USASMA Course Standards, Leadership Award, Distinguished Honor/Honor Graduate, Battalion/Brigade Pre-Command Course, Masters Degree

Highly qualified looks like:

MSG: Exceeded MLC Course Standards, Commandant's List, >90 semester hours towards BS Degree
CSM/SGM: Exceeded USASMA Course Standards, Commandant's List, Bachelors Degree



MOS 68Z



ASSIGNMENTS (Broadening and Key Developmental)
PROPONENT SPECIFIC CHALLENGING / HIGH RISK

MSG: see respective MOS supplement (68A, 68C, 68E, 68G, 68J, 68K, 68M, 68P, 68Q, 68R, 68S, and 68W)

CSM/SGM: Command Sergeant Major, Chief Instructor/Writer, Assistant IG

Army wide Special Duty Assignments are specific, defined and provided in the Annex to the Board MOI



MOS 68Z



TRAINING

Most-qualified looks like:

MSG: EFMB, (See respective MOS Supplement for Certification information)
CSM/SGM: EFMB

Highly qualified looks like:

MSG: (See respective MOS Supplement)
CSM/SGM: EFMB

OTHER INDICATORS

Most-qualified looks like:

MSG: Award of the Order of Military Medical Merit (Regimental Award), Other Regimental Awards
(annotated on NCOER)

CSM/SGM: Award of the Order of Military Medical Merit (Regimental Award), Other Regimental Awards
(annotated on NCOER)